



The Signature of Quality

FEDERAL INDUSTRIES

A Standex Company
215 Federal Avenue
Belleville, WI 53508-9201

Phone: 800-356-4206
Fax: 608-424-3234
Email: geninfo@federalind.com
Website: www.federalind.com

Project Name: _____

Item #: _____

Model #: _____ Qty: _____

Approval: _____

AIA#

SIS#

SIGNATURE SERIES REFRIGERATED SELF-SERVE COUNTERTOP MERCHANDISER

REFRIGERATED SELF-SERVE REAR MOUNT

MODEL	DIMENSIONS (Includes End Panels)
<input type="checkbox"/> CRR3628SS	36 x 29.7 x 37.7 (in) 914 x 754 x 958 (mm)
<input type="checkbox"/> CRR4828SS	48 x 29.7 x 37.7 (in) 1219 x 754 x 958 (mm)

REFRIGERATED SELF-SERVE BOTTOM MOUNT

MODEL	DIMENSIONS (Includes End Panels)
<input type="checkbox"/> CRB3628SS	36 x 29.7 x 40.5 (in) 914 x 754 x 1029 (mm)
<input type="checkbox"/> CRB4828SS	48 x 29.7 x 40.5 (in) 1219 x 754 x 1029 (mm)

The Signature Series counter top merchandiser combines attractive curved glass styling and merchandising flexibility. Designed for continuous case line-ups.



STANDARD FEATURES

Model Features

- Curved glass styling.
- Adjustable black metal shelf. Adjustable up and down and can also be tilted in two positions.
- Tempered front glass with self-serve cut out for customer access. Acrylic end panels.
- Removable sliding rear doors, shelf light, shelf supports, and shelf.
- Removable, scratch-resistant, rustproof black display deck.
- Easily accessible light switch and adjustable temperature control.
- Black painted metal and stainless construction. Black trim.
- Designed for continuous line-ups.
- Cord and plug (NEMA 5-15P).
- Installation Flexibility
- Set directly on counter with condensing component mounted on rear (CRR Models).
- Recessed 3" in the counter with condensing component mounted underneath (CRB Models).

Refrigeration

- Average case temperature of 38° F (3.3° C) to 40° F (4.4° C) is maintained.
- Thermometer.
- R290 Refrigerant

Shelving

- Adjustable black metal shelf. Adjustable up and down and can also be tilted in two positions.

Lighting

- 3500K LED top light and shelf lights.

Agency Approvals

- UL Safety and UL Sanitation Listed
- DOE 2017 Compliant

OPTIONAL ACCESSORIES

- Glass Shelves
- Reflective Ends
- Reflective Rear Doors
- Remote Refrigeration (EEV Included) on CRB Models Only
- LED Lighting



WARRANTY*
One year Parts and Labor
2nd thru 5th year part
only service compressor
(U.S.A and Canada)

Note: Information is subject to change at any time.
Visit www.federalind.com for the most current specs.

Revised 01/06/2025

AIA#

SIGNATURE SERIES REFRIGERATED SELF-SERVE COUNTERTOP MERCHANDISER

SIS#

Product Specifications

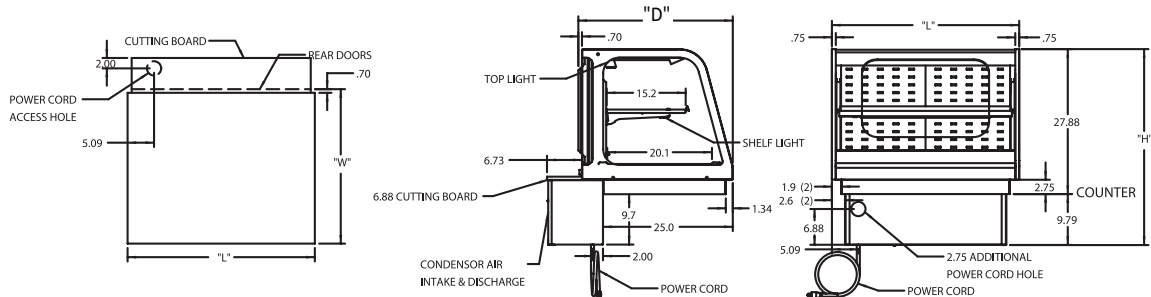
Intended Environment: Type I - Designed to operate in maximum ambient conditions of 75°F (24°C) and 55% relative humidity unless noted otherwise in system information below.

Zone	Intended Product To Be Displayed	Avg Prod Temp °F/°C
All	Packaged Refrigerated Products	38°F / (3.3°C)

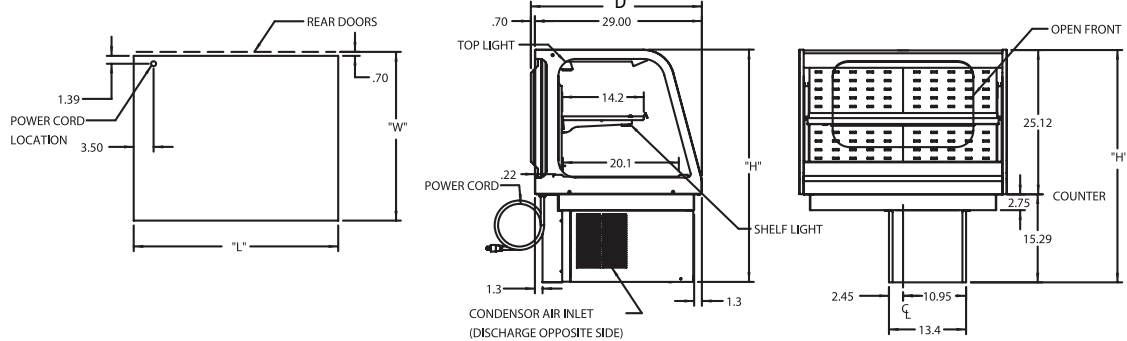
DIMENSION: xx"/(mm)

DIMENSION TOLERANCE +/- 0.19 (4.8)

REAR MOUNT



BOTTOM MOUNT



MODEL	DIMENSIONS*				SHIPPING WHT		SELF-CONTAINED 120/60/1	REMOTE 120/60/1 REAR MOUNT
	L	D	H	UNITS	LBS	KILO		
REAR MOUNT								
CRR3628SS	36	29.7	37.7	in.	430	195	8.1 AMPS	1.5 AMPS
	914	754	956	mm.				
CRR4828SS	48	29.7	37.7	in.	500	227	8.3 AMPS	1.5 AMPS
	1219	754	956	mm.				
BOTTOM MOUNT								
CRB3628SS	36	29.7	40.5	in.	430	195	8.1 AMPS	3.6 AMPS
	914	754	1029	mm.				
CRB4828SS	48	29.7	40.5	in.	500	227	8.3 AMPS	3.8 AMPS
	1219	754	1029	mm.				

* Height above counter

- If a GFCI circuit is required, a GFCI Breaker Must be used instead of GFCI receptacle.
- Refrigerated cases are designed to operate in a maximum of 75°F (24°C) ambient and 55% relative humidity.
- Due to continuing engineering improvements, specifications are subject to change without notice.



The Signature of Quality®

FEDERAL INDUSTRIES

A Standex Company

215 Federal Avenue, Belleville, Wisconsin 53508-9201

Phone: 800-356-4206

Fax: 608-424-3234

Email: Geninfo@Federalind.com

Website: Federalind.com