

AIA#

SIGNATURE SERIES REFRIGERATED SELF-SERVE COUNTER TOP MERCHANDISER

SIS#

Product Specifications

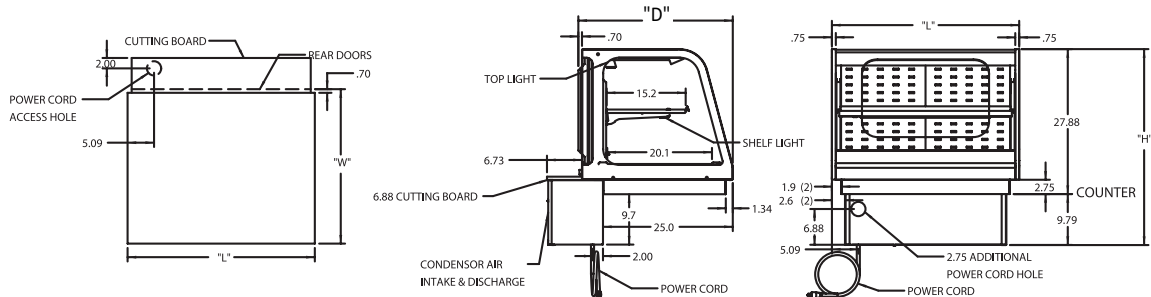
Intended Environment: Type I - Designed to operate in maximum ambient conditions of 75°F (24°C) and 55% relative humidity unless noted otherwise in system information below.

Zone	Intended Product To Be Displayed	Avg Prod Temp °F/°C
All	Packaged Refrigerated Products	38°F / (3.3°C)

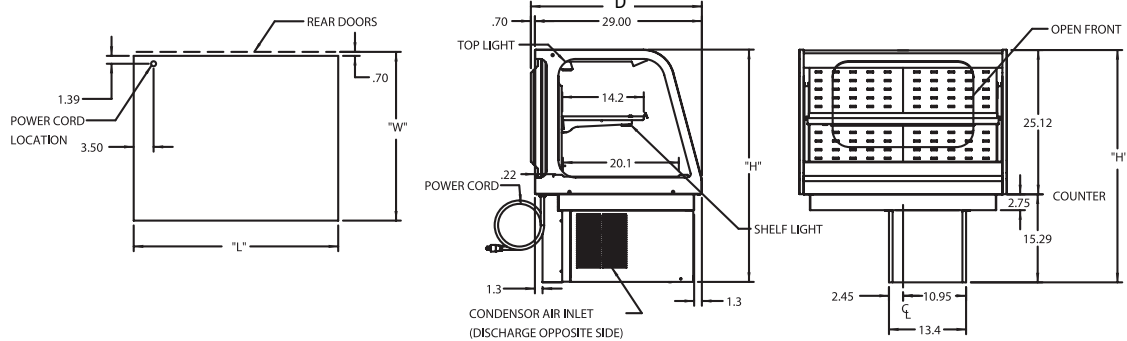
DIMENSION: xx"/(mm)

DIMENSION TOLERANCE +/- 0.19 (4.8)

REAR MOUNT



BOTTOM MOUNT



MODEL	DIMENSIONS*				SHIPPING WHT		SELF-CONTAINED 120/60/1	REMOTE 120/60/1 REAR MOUNT
	L	D	H	UNITS	LBS	KILO		
REAR MOUNT								
CRR3628SS	36	29.7	37.7	in.	430	195	8.1 AMPS	1.5 AMPS
	914	754	956	mm.				
CRR4828SS	48	29.7	37.7	in.	500	227	8.3 AMPS	1.5 AMPS
	1219	754	956	mm.				
BOTTOM MOUNT								
CRB3628SS	36	29.7	40.5	in.	430	195	8.1 AMPS	3.6 AMPS
	914	754	1029	mm.				
CRB4828SS	48	29.7	40.5	in.	500	227	8.3 AMPS	3.8 AMPS
	1219	754	1029	mm.				

* Height above counter

- If a GFCI circuit is required, a GFCI Breaker Must be used instead of GFCI receptacle.
- Refrigerated cases are designed to operate in a maximum of 75°F (24°C) ambient and 55% relative humidity.
- Due to continuing engineering improvements, specifications are subject to change without notice.



The Signature of Quality®

FEDERAL INDUSTRIES

A Standex Company

215 Federal Avenue, Belleville, Wisconsin 53508-9201

Phone: 800-356-4206

Fax: 608-424-3234

Email: Geninfo@Federalind.com

Website: Federalind.com