



The Signature of Quality®

FEDERAL INDUSTRIES

A Standex Company
215 Federal Avenue
Belleville, WI 53508-9201
Phone: 800-356-4206
Fax: 608-424-3234
Email: geninfo@federalind.com
Website: www.federalind.com

Project Name: _____

Item #: _____

Model #: _____ Qty: _____

Approval: _____

AIA#

SIS#

CURVED GLASS REFRIGERATED BAKERY CASE

Sleek curved-glass styling blends with traditional design elements to maximize performance. Designed for continuous case line-ups without middle end glass.



MODEL	DE/E (Includes End Panels)
<input type="checkbox"/> CGR3148	31.13 x 35.31 x 48 (in) 791 x 897 x 1219 (mm)
<input type="checkbox"/> CGR3642	36.13 x 35.31 x 42 (in) 918 x 897 x 1067 (mm)
<input type="checkbox"/> CGR3648	36.13 x 35.31 x 48 (in) 918 x 897 x 1219 (mm)
<input type="checkbox"/> CGR5042	50.13 x 35.31 x 42 (in) 1273 x 897 x 1067 (mm)
<input type="checkbox"/> CGR5048	50.13 x 35.31 x 48 (in) 1273 x 897 x 1219 (mm)
<input type="checkbox"/> CGR5942	59.13 x 35.31 x 42 (in) 1502 x 897 x 1067 (mm)
<input type="checkbox"/> CGR5948	59.13 x 35.31 x 48 (in) 1502 x 897 x 1219 (mm)
<input type="checkbox"/> CGR7742	77.13 x 35.31 x 42 (in) 1959 x 897 x 1067 (mm)
<input type="checkbox"/> CGR7748	77.13 x 35.31 x 48 (in) 1959 x 897 x 1219 (mm)

STANDARD FEATURES

Model Features

- Curved glass styling.
- Tempered thermopane tilt-out front glass for easy cleaning. Front glass is curved for high visual product display.
- Tempered thermopane glass ends, sides, and doors.
- Removable sliding rear doors, shelf lights, shelf supports, and shelves.
- 31" has a swing door, hinged right or left.
- Steel base construction with a choice of six standard laminates on base. Other finishes optional.
- Thermometer.
- Removable, scratch-resistant, rustproof white display deck.
- Easily accessible light switch and adjustable temperature control.
- Designed for continuous line-ups.
- Black trim.
- Adjustable Leg Levelers

Shelving

- Adjustable white wire shelves. Shelves are adjustable up and down and can also be tilted in three positions. 48" models have three tiers of shelves; 42" models have two tiers of shelves

Lighting

- 300K LED top light and shelf lights.

Refrigeration

- Condenser air filter on self-contained units.
- Condensate evaporator provided for a totally self contained system.
- Oversized coil and low-velocity fan system maintains high humidity and product freshness.
- Easy clean, rustproof insulated evaporator coil compartment.
- Average case temperature of 38° to 40°F is maintained.
- Rear access to the refrigeration system for quick and easy service.
- R513a Refrigerant (R449a in Remote Applications)

Agency Approvals

- UL Safety and UL Sanitation listed
- DOE 2017 Compliant

OPTIONAL ACCESSORIES

- Glass Shelves
- Rear Wrapping Board
- Cord & Plug
- Remote Condensing Unit (R449a Refrigerant, EEV Included)
- Reflective Ends
- White or Mirrored Interior
- Ends with Laminated
- Exterior Reflective Rear Doors
- Special Base Finish
- Casters/Cord & Plug Included (Self-Contained Models Only)
- Legs
- Top Cutting Board, White
- Package Shelf
- LED Light Below Package Shelf
- Black, Gold, or Chrome Wire Shelves
- Front Glass and Rear Door Locks
- Joining Kit for Continuous Line-ups



WARRANTY*
One year Parts and Labor
2nd thru 5th year part
only service compressor
(U.S.A and Canada)

Note: Information is subject to change at any time.
Visit www.federalind.com for the most current specs.

Revised 02/10/2020

AIA#

CURVED GLASS REFRIGERATED BAKERY CASE

SIS#

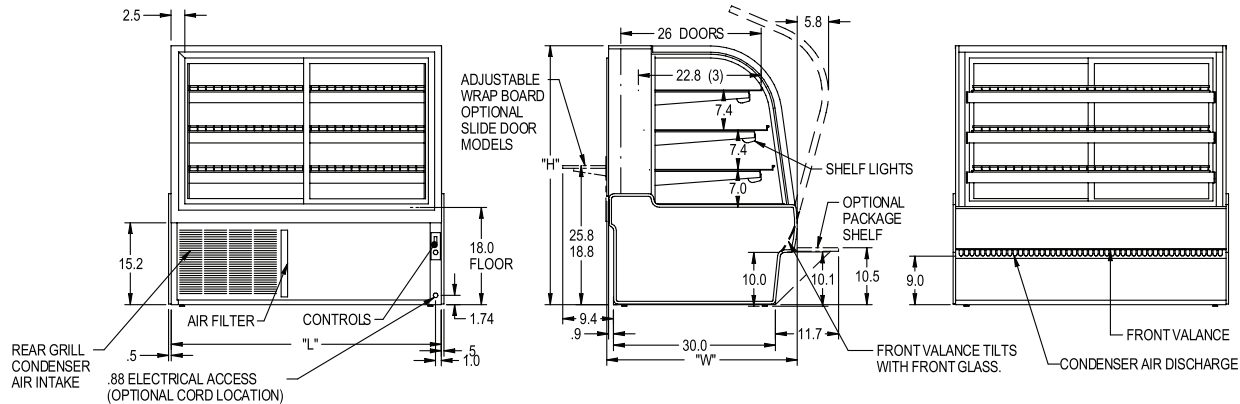
Product Specifications

Intended Environment: Type I - Designed to operate in maximum ambient conditions of 75°F (24°C) and 55% relative humidity unless noted otherwise in system information below.

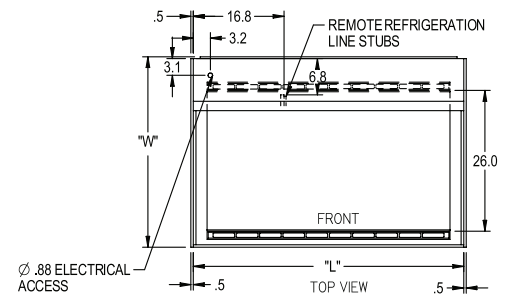
Zone	Intended Product To Be Displayed	Avg Prod Temp °F/°C
All	Packaged Refrigerated Products	38°F / (3.3°C)

DIMENSION: xx"/(mm)

DIMENSION TOLERANCE +/- 0.25 (6.4)



MODEL	DIMENSIONS				CAPACITY (BAKERY PAN)	SELF CONTAINED Permanently Connected	REMOTE 120/60/1
	L	D	H1	UNITS			
CGR3148	31.13	35.31	48	in.	4 (18" X 26") & 4 (9" X 26")	1/3 HP - 8.0 AMPS	2.1 AMPS
	791	897	1219	mm.			
CGR3642	36.13	35.31	42	in.	3 (18" X 26") & 3 (9" X 26")	1/3 HP - 9.0 AMPS	2.3 AMPS
	918	897	1067	mm.			
CGR3648	36.13	35.31	48	in.	4 (18" X 26") & 4 (9" X 26")	1/3 HP - 9.0 AMPS	2.3 AMPS
	918	897	1219	mm.			
CGR5042	50.13	35.31	42	in.	6 (18" X 26") & 3 (9" X 26")	1/2 HP - 10.5 AMPS	2.3 AMPS
	1273	897	1067	mm.			
CGR5048	50.13	35.31	48	in.	8 (18" X 26") & 4 (9" X 26")	1/2 HP - 10.5 AMPS	2.3 AMPS
	1273	897	1219	mm.			
CGR5942	59.13	35.31	42	in.	9 (18" X 26")	1/2 HP - 12.0 AMPS	2.5 AMPS
	1502	897	1067	mm.			
CGR5948	59.13	35.31	48	in.	12 (18" X 26")	1/2 HP - 12.0 AMPS	2.5 AMPS
	1502	897	1219	mm.			
CGR7742	77.13	35.31	42	in.	12 (18" X 26")	3/4 HP - 15.4 AMPS	3.3 AMPS
	1959	897	1067	mm.			
CGR7748	77.13	35.31	48	in.	16 (18" X 26")	3/4 HP - 15.4 AMPS	3.3 AMPS
	1959	897	1219	mm.			



- If a GFCI circuit is required, a GFCI Breaker MUST be used instead of GFCI receptacle.
- Refrigerated cases are designed to operate in a maximum of 75°F (24°C) ambient and 55% relative humidity.
- Due to continuing engineering improvements, specifications are subject to change without notice.



The Signature of Quality®

FEDERAL INDUSTRIES

A Standex Company

215 Federal Avenue, Belleville, Wisconsin 53508-9201

Phone: 800-356-4206

Fax: 608-424-3234

Email: Geninfo@Federalind.com

Website: Federalind.com