



The Signature of Quality®

**FEDERAL INDUSTRIES**

A Standex Company

215 Federal Avenue  
Belleville, Wisconsin 53508-9201

**Phone:** 800-356-4206

**Fax:** 608-424-3234

**Email:** Geninfo@Federalind.com

**Website:** Federalind.com

Project Name: \_\_\_\_\_

Item #: \_\_\_\_\_

Model #: \_\_\_\_\_ Qty: \_\_\_\_\_

Approval: \_\_\_\_\_

AIA #

SIS #

**ELEMENTS™ REFRIGERATED SELF-SERVE ISLAND MERCHANDISER**

Designed with impulse sales in mind. Get maximum return and increased profits with shop-around merchandising.



Model EIMSS84SC-3 Shown  
\*Black Exterior Finish Only

**OPTIONAL ACCESSORIES**

- High Capacity Condensate Evaporator Assembly (Field Installed)
  - Requires the removal of the standard Evaporator Assembly shipped with unit, and a separate 208-240V / 20 amp circuit.
- 7 @ # M o o

MODEL	DIMENSIONS <small>(Includes End Panels)</small>
<input type="checkbox"/> EIMSS60SC-3	60 x 40 x 60 (in) 1524 x 1016 x 1524 (mm)
<input type="checkbox"/> EIMSS84SC-3	84 x 40 x 60 (in) 2134 x 1016 x 1524 (mm)

**STANDARD FEATURES**

**Model Features**

- Black metal base, interior and canopy.
- Air Deflector
- Easily accessible light switch and temperature control
- Insulated with high-density foam
- Adjustable leg levelers
- Wired for either top or bottom mount electrical connections
- Price tag molding

**Refrigeration**

- Condensate evaporator provided for a totally self-contained system
- Easy clean, rust-proof insulated evaporator coil compartment
- Refrigeration controls maintain 38°-40°F. Note: Case temperature will vary if the air curtain is disrupted
- Starting January 1, 2025, R449a refrigerant will be replaced by R290
- Thermometer

**Shelving**

- Adjustable black metal shelves, three tiers

**Lighting**

- LED top and undershelf lighting
- UL Safety and UL Sanitation Listed to NSF Standard
- DOE 2017 Compliant



**WARRANTY\***  
One year Parts and Labor  
2nd thru 5th year part only  
service compressor  
(U.S.A. and Canada)

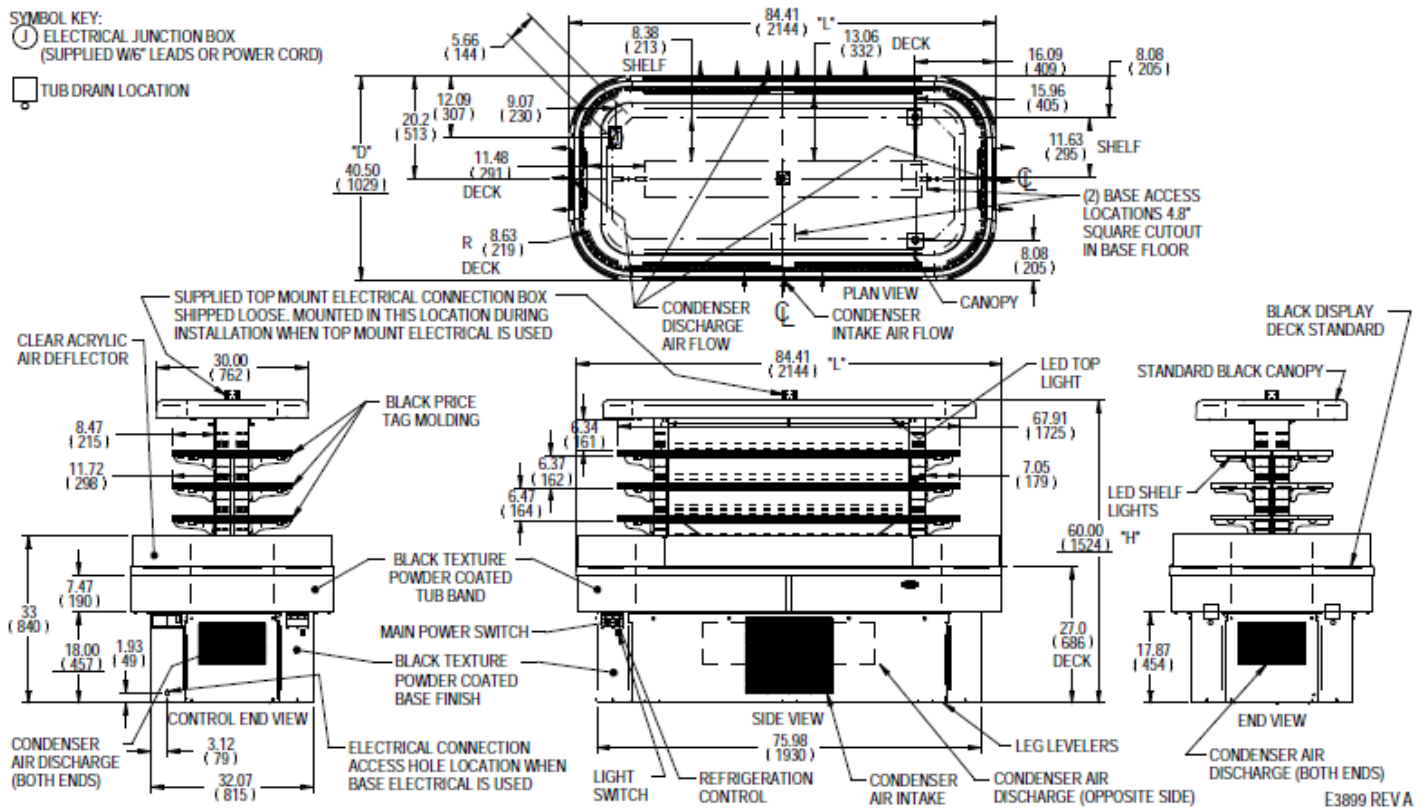
**Note: Information is subject to change at any time. Visit [www.federalind.com](http://www.federalind.com) for the most current specs.**

AIA #	<b>ELEMENTS™ REFRIGERATED SELF-SERVE ISLAND MERCHANDISER</b>
SIS #	Product Specifications

Intended Environment: Type I - Designed to operate in maximum ambient conditions of 75°F (24°C) and 55% relative humidity unless noted otherwise in system information below.

Zone	Intended Product To Be Displayed	Avg prod temp °F / °C
All	Packaged Refrigerated Products	38°F / (3.3°C)

**DIMENSION: xx"/(mm)**  
**DIMENSION TOLERANCE +/- 0.25(6.4)**



MODEL	DIMENSION			SHELVING		INTERIOR VOLUME CU FT	PRODUCT AREA SQ FT	PERMANENT CONNECT		REFRIGERANT	C.U. HP	CONDENSATE REMOVAL	SHIP WEIGHT	
	L	D	H	# OF TIERS	D			L	2-WIRE + GROUND					
	in	in	in		in			in	208-230/60/1					
	mm	mm	mm	mm	mm			AMPS	MAX FUSE SIZE					
EIMSS60SC-3	60.50	40.50	60.00	3	8.5	43.89	16.8	26.0	16	30	R449a	1.5	CONDENSATE PAN	910 LBS
	1537	1029	1524		216	1115								413 KILO
EIMSS84SC-3	84.50	40.50	60.00	3	8.5	67.89	24.8	38.7	16	30	R449a	1.8	CONDENSATE PAN	1150 LBS
	2146	1029	1524		216	1724								522 KILO

- Case temperature will vary if the air curtain disrupted
- Refrigerated cases are designed to operate in a maximum of 75°F (24°C) ambient and 55% relative humidity.
- Due to continuing engineering improvements, specifications are subject to change without notice.



**FEDERAL INDUSTRIES**  
 A Standex Company  
 215 Federal Avenue, Belleville, Wisconsin 53508-9201

**Phone:** 800-356-4206  
**Fax:** 608-424-3234  
**Email:** Geninfo@Federalind.com  
**Website:** Federalind.com