



The Signature of Quality®

FEDERAL INDUSTRIES

A Standex Company

215 Federal Avenue Belleville
Wisconsin 53508-9201

Phone: 800-356-4206

Fax: 608-424-3234

Email: Geninfo@Federalind.com

Website: Federalind.com

Project Name: _____

Item #: _____

Model #: _____ Qty: _____

Approval: _____

AIA #

SIS #

Italian Glass 26" Non-Refrigerated Self-Serve Display Case (open front)

Designed for customers looking for a rich, up-scale Italian styling for maximum visual appeal that will drive product sales.



Model ITDSS4834F-B18
Shown with options

MODEL	DIMENSIONS (Includes End Panels)
<input type="checkbox"/> ITDSS3626F-B18	36 x 30.75 x 44 (in) 914 x 762 x 1118 (mm)
<input type="checkbox"/> ITDSS4826F-B18	48 x 30.75 x 44 (in) 1219 x 762 x 1118 (mm)
<input type="checkbox"/> ITDSS6026F-B18	60 x 30.75 x 44 (in) 1524 x 762 x 1118 (mm)

STANDARD FEATURES

Model Features

- Powder coated steel base construction with a choice of standard laminates
- Tempered thermo-pane glass construction
- Open front
- Stainless steel interior
- Removable, sliding tempered glass rear doors
- Cord & plug (6')
- Adjustable leg levelers

Shelving

- Two tiers of adjustable tempered glass shelves are adjustable up and down and can be tilted in two positions (0°/ 5° angle)

Lighting

- 3500K LED top light and shelf lights
- DLC Certified, IP66 rated

Agency Approvals

- UL, C-UL, and UL Sanitation Listed to NSF-2

OPTIONAL ACCESSORIES

- Premium exterior laminate
- Stainless steel exterior
- Stainless steel shelving
- 17" Stainless steel or glass shelving
- Reflective ends
- Reflective rear doors
- Joining kit for continuous line ups
- 4"/102mm Casters
- Recessed Casters
- 6"/152mm Legs with or without skirt
- Rear wrap board



WARRANTY*
One year Parts and Labor
2nd thru 5th year part only
service compressor
(U.S.A. and Canada)

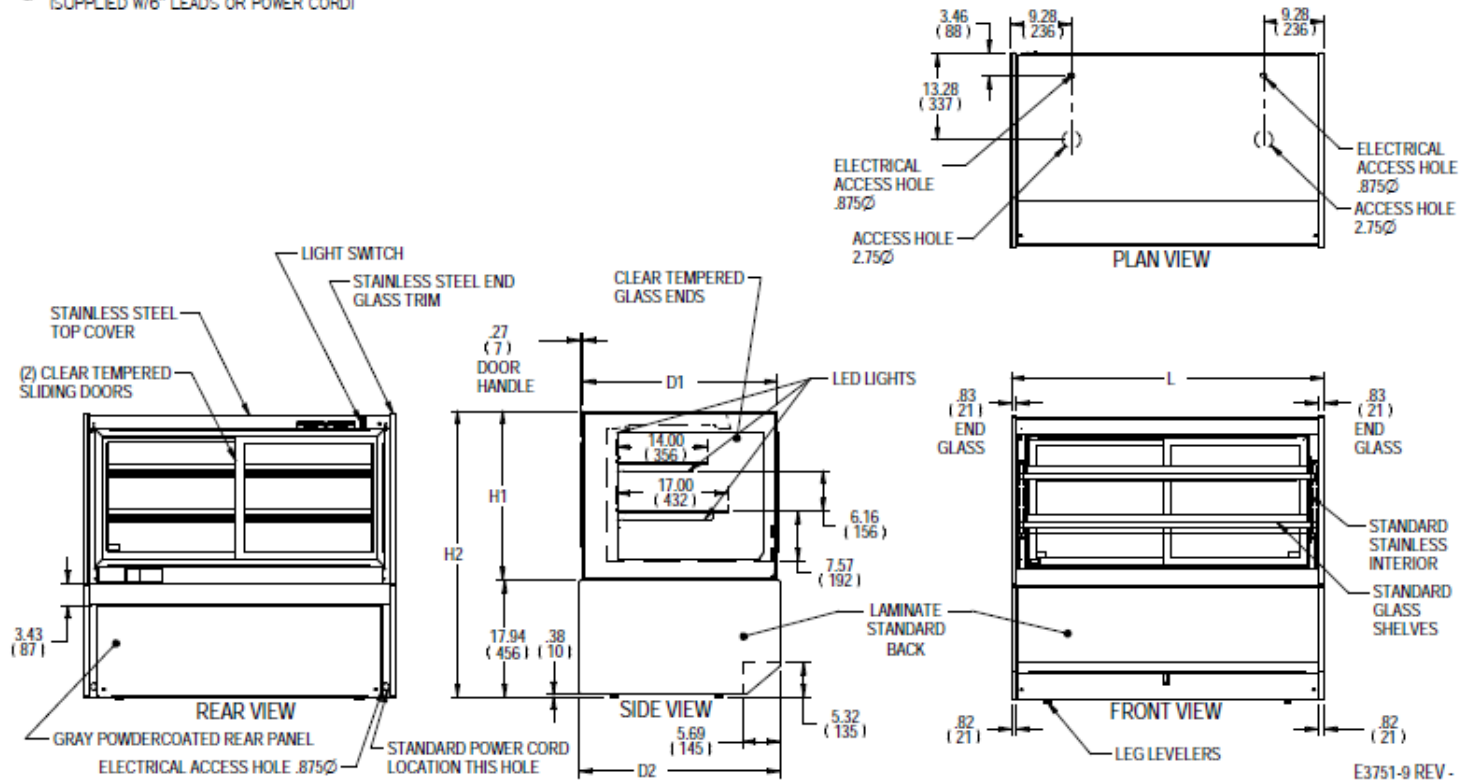
Note: Information is subject to change at any time. Visit www.federalind.com For the most current specs.

AIA #	<h1>Italian Glass 26" Non-Refrigerated Self-Serve Display Case (open front)</h1>
SIS #	
Product Specifications	

Zone	Intended product to be displayed	Avg prod temp °F / °C
All	Packaged non-refrigerated products	N/A

DIMENSION: xx"/(mm)

SYMBOL KEY:
 ELECTRICAL JUNCTION BOX
 (SUPPLIED W/6" LEADS OR POWER CORD)



MODEL	DIMENSION					SHELVING			DISPLAY AREA SQ IN	INTERIOR VOLUME CU FT	PERMANENT CONNECT		OPTIONAL NEMA CORD & PLUG	SHIP WEIGHT	
	L	D1	D2	H1	H2	# OF TIERS	DT	DB			L	2-WIRE + GROUND			
	in	in	in	in	in		in	in			in	120/60/1		2-WIRE + GROUND	LBS
	mm	mm	mm	mm	mm		mm	mm			mm	AMPS	MAX FUSE SIZE	120/60/1	KILO
ITDSS3626F-B18	36.00	30.00	30.75	26.00	44.00	2	14	17	30.88	1630 SQ IN	11.4 CU FT	1.5	15	NEMA 5-15P	550 LBS
	914	762	781	660	1118		356	432	784						
ITDSS4826F-B18	48.00	30.00	30.75	26.00	44.00	2	14	17	42.88	2240 SQ IN	15.4 CU FT	1.5	15	NEMA 5-15P	640 LBS
	1219	762	781	660	1118		356	432	1089						
ITDSS6026F-B18	60.00	30.00	30.75	26.00	44.00	2	14	17	54.88	2850 SQ IN	19.0 CU FT	1.5	15	NEMA 5-15P	700 LBS
	1524	762	781	660	1118		356	432	1394						

• Due to continuing engineering improvements, specifications are subject to change without notice.



FEDERAL INDUSTRIES
 A Standex Company
 215 Federal Avenue, Belleville, Wisconsin 53508-9201

Phone: 800-356-4206
Fax: 608-424-3234
Email: Geninfo@Federalind.com
Website: Federalind.com