



The Signature of Quality

FEDERAL INDUSTRIES

A Standex Company

215 Federal Avenue Belleville
Wisconsin 53508-9201

Phone: 800-356-4206

Fax: 608-424-3234

Email: Geninfo@Federalind.com

Website: Federalind.com

Project Name: _____

Item #: _____

Model #: _____ Qty: _____

Approval: _____

AIA #

SIS #

Italian Glass 26" Non-Refrigerated Self-Serve Counter Display Case (open front)

Designed for customers looking for rich, up-scale Italian styling for maximum visual appeal that will drive product sales.



ITDSS4834F shown

MODEL	DIMENSIONS (Includes End Panels)
<input type="checkbox"/> ITDSS3626F	36 x 30 x 26 (in) 914 x 762 x 661 (mm)
<input type="checkbox"/> ITDSS4826F	48 x 30 x 26 (in) 1219 x 762 x 661 (mm)
<input type="checkbox"/> ITDSS6026F	60 x 30 x 26 (in) 1524 x 762 x 661 (mm)

STANDARD FEATURES

Model Features

- Tempered thermo-pane glass construction
- Open front
- Stainless steel interior
- Removable, sliding tempered glass rear doors
- Cord & plug (6')

Shelving

- All 17" deep adjustable tempered glass shelves are adjustable up and down and can be tilted in two positions (0°/5° angle)

Lighting

- 3500K LED top light and shelf lights
- DLC certified, IP66 rated

Agency Approvals

- UL, C-UL, and UL Sanitation Listed to NSF-2

OPTIONAL ACCESSORIES

- 17" Deep Stainless Steel or Glass Shelving
- 17" Deep Stainless Steel or Glass Shelving
- 17" Deep Stainless Steel or Glass Shelving
- 17" Deep Stainless Steel or Glass Shelving
- 17" Deep Stainless Steel or Glass Shelving



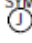
WARRANTY*
One year Parts and Labor
2nd thru 5th year: part only
service compressor
(U.S.A. and Canada)

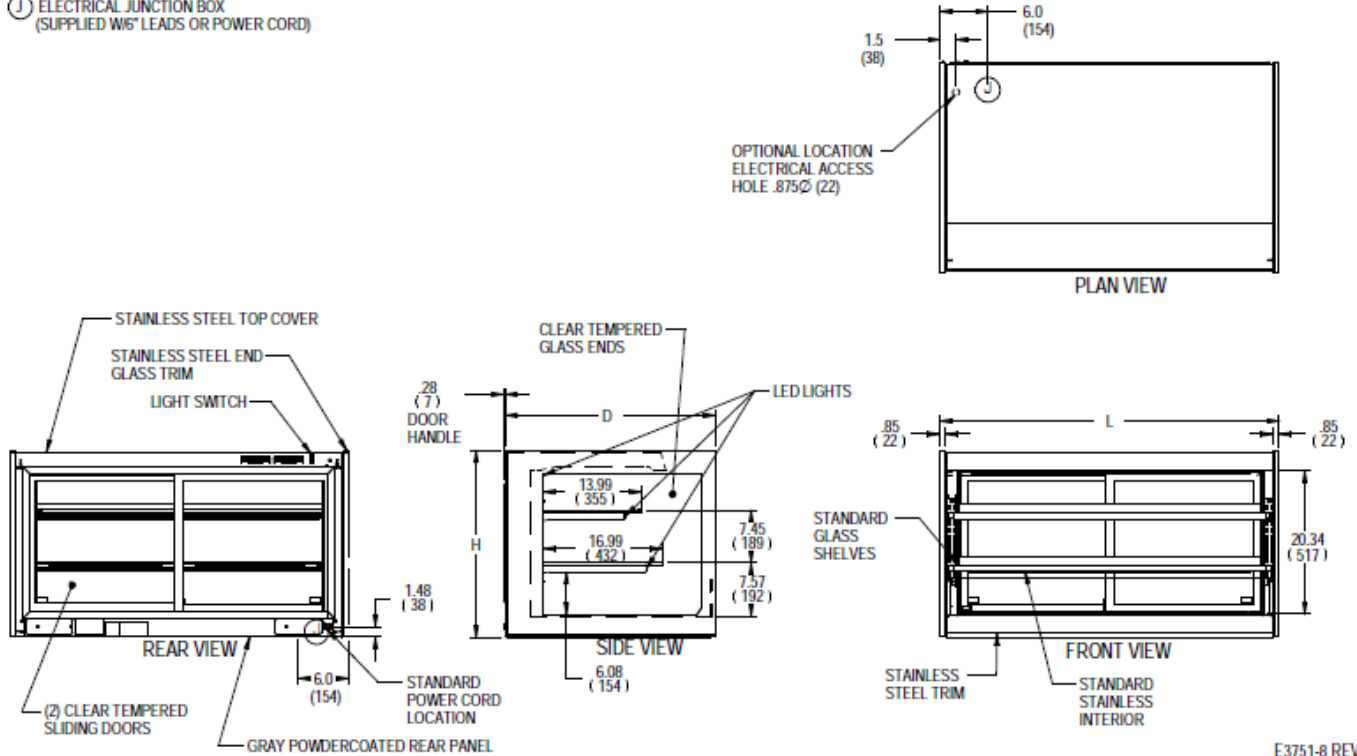
Note: Information is subject to change at any time. Visit www.federalind.com For the most current specs.

AIA #	Italian Glass 26" Non-Refrigerated Self-Serve Counter Display Case (open front)
SIS #	Product Specifications

Zone	Intended product to be displayed	Avg prod temp °F / °C
All	Non-refrigerated products	N / A

DIMENSIONS: xx"/(mm)

SYMBOL KEY:
 ELECTRICAL JUNCTION BOX (SUPPLIED W/6" LEADS OR POWER CORD)



E3751-8 REV.

MODEL	L	D	H	2-WIRE + GROUND 120/60/1		DISPLAY AREA	INT. VOLUME	SHELVING		CORD & PLUG	SHIP WEIGHT
				AMPS	MAX AMP FUSE			TOP SHELF	BOTTOM SHELF		
ITDSS3626F	36.0"	30.0"	26.0"	1.5 AMPS	MAX FUSE 15	1630 SQ IN	11.4 CU FT	1 (31.0" X 14.0")	1 (31.0" X 17.0")	NEMA 5-15	250 LB
	914 X 762 X 660 mm	1 (787 X 356 mm)	1 (787 X 432 mm)					113 KG			
ITDSS4826F	48.0"	30.0"	26.0"	1.5 AMPS	MAX FUSE 15	2240 SQ IN	15.4 CU FT	1 (43.0" X 14.0")	1 (43.0" X 17.0")	NEMA 5-15	325 LB
	1219 X 762 X 660 mm	1 (1092 X 356 mm)	1 (1092 X 432 mm)					147 KG			
ITDSS6026F	60.0"	30.0"	26.0"	1.5 AMPS	MAX FUSE 15	2850 SQ IN	19.0 CU FT	1 (55.0" X 14.0")	1 (55.0" X 17.0")	NEMA 5-15	450 LB
	1524 X 762 X 660 mm	1 (11397 X 356 mm)	1 (11397 X 432 mm)					204 KG			

• Due to continuing engineering improvements, specifications are subject to change without notice.



FEDERAL INDUSTRIES
 A Standex Company
 215 Federal Avenue Belleville, Wisconsin 53508-9201

Phone: 800-356-4206
Fax: 608-424-3234
Email: Geninfo@Federalind.com
Website: Federalind.com