



The Signature of Quality

FEDERAL INDUSTRIES

A Standex Company

215 Federal Avenue Belleville Wisconsin 53508-9201

Phone: 800-356-4206

Fax: 608-424-3234

Email: Geninfo@Federalind.com

Website: Federalind.com

Project Name: \_\_\_\_\_

Item #: \_\_\_\_\_

Model #: \_\_\_\_\_ Qty: \_\_\_\_\_

Approval: \_\_\_\_\_

AIA #

SIS #

Italian Glass 34" Non-Refrigerated Self-Serve Counter Display Case (sliding glass front door)

Designed for customers looking for rich, up-scale Italian styling for maximum visual appeal that will drive product sales.

Table with 2 columns: MODEL and DIMENSIONS (Includes End Panels). Rows include ITDSS3634, ITDSS4834, and ITDSS6034 with their respective dimensions in inches and millimeters.

Image Coming Soon

STANDARD FEATURES

Model Features

- Tempered thermo-pane glass construction
Removable, sliding glass front doors
Stainless steel interior
Removable, sliding tempered glass rear doors
Cord & plug (6')

Shelving

- Three tiers of adjustable tempered glass shelves are adjustable up and down and can be tilted in two positions ( 0°/ 5° angle).

Lighting

- 3500K LED top light and shelf lights
DLC certified, IP66 rated

Agency Approvals

- UL, C-UL, and UL Sanitation Listed to NSF-2

OPTIONAL ACCESSORIES

- Optional stainless steel or glass shelving
All 17" Deep Stainless steel or glass shelving
Removable interior shelving
Removable interior shelving
Removable interior shelving
Self-closing sliding glass front doors



WARRANTY\* One year Parts and Labor 2nd thru 5th year part only service compressor (U.S.A. and Canada)

Note: Information is subject to change at any time. Visit www.federalind.com For the most current specs.

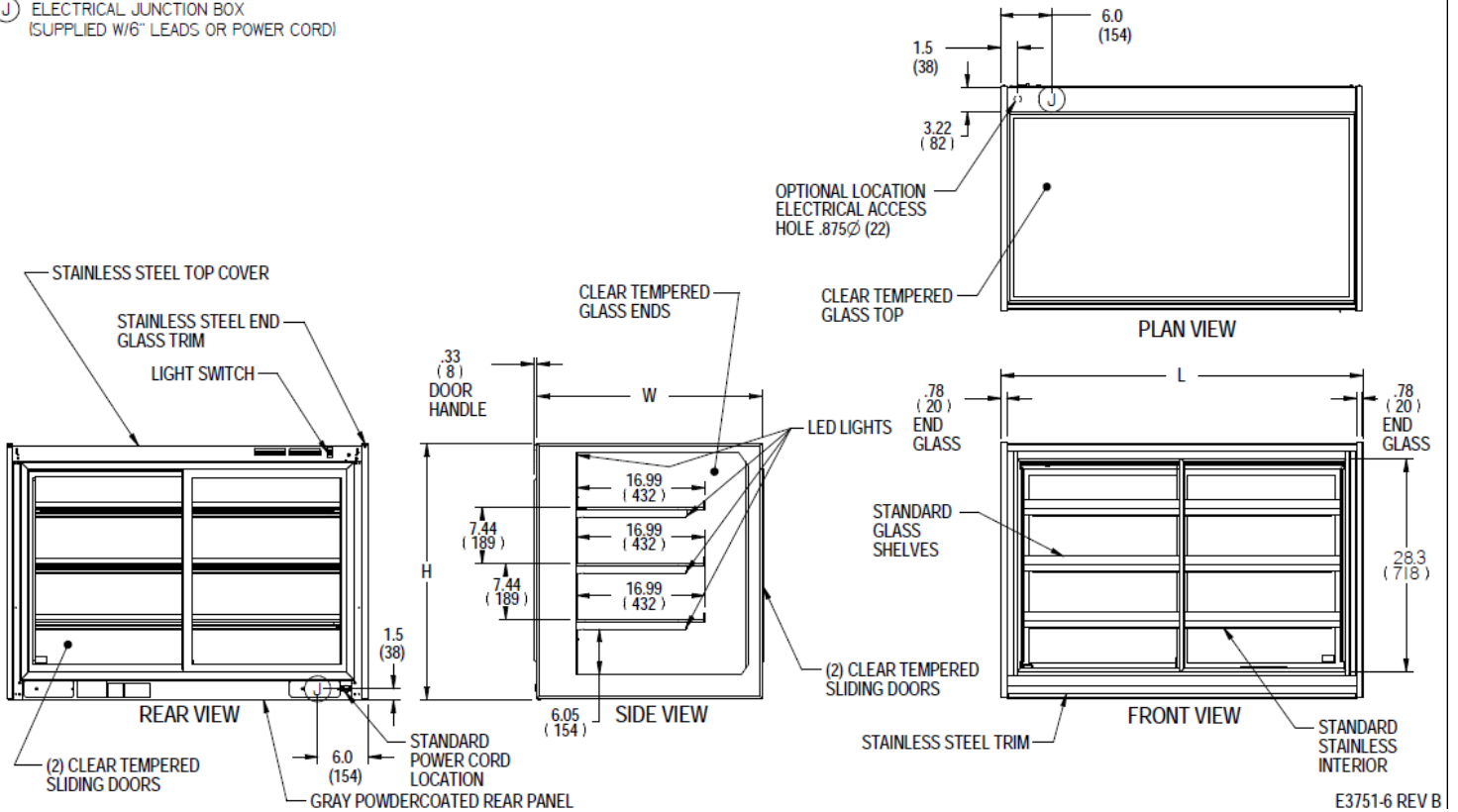
AIA #	<b>Italian Glass 34" Non-Refrigerated Self-Serve Counter Display Case (sliding glass front door)</b>	
SIS #	Product Specifications	

Zone	Intended product to be displayed	Avg prod temp °F / °C
All	Non-refrigerated products	N / A

DIMENSIONS: xx"/(mm)

SYMBOL KEY:

SYMBOL KEY:  
 ELECTRICAL JUNCTION BOX  
 (SUPPLIED W/6" LEADS OR POWER CORD)



E3751-6 REV B

MODEL	L	W	H	2-WIRE PLUS GROUND 120/60/1		DISPLAY AREA	INT. VOLUME	SHELVING	CORD & PLUG	SHIP WEIGHT	
				AMPS	MAX AMP FUSE						
ITDSS3634	36.0" x 30.0 x 34.0			1.5	AMPS	MAX FUSE 15	1980 SQ IN	15.5 CU FT	3 (31.0" X 17.0")	NEMA 5-15	275 LB
	914 X 762 X 864 mm										125 KG
ITDSS4834	48.0" x 30.0 x 34.0			1.5	AMPS	MAX FUSE 15	2720 SQ IN	21 CU FT	3 (43.0" X 17.0")	NEMA 5-15	350 LB
	1219 X 762 X 864 mm										159 KG
ITDSS6034	60.0" x 30.0 x 34.0			1.5	AMPS	MAX FUSE 15	3470 SQ IN	26 CU FT	3 (55.0" X 17.0")	NEMA 5-15	475 LB
	1524 X 762 X 864 mm										216 KG

• Due to continuing engineering improvements, specifications are subject to change without notice.



**FEDERAL INDUSTRIES**  
 A Standex Company  
 215 Federal Avenue Belleville, Wisconsin 53508-9201

**Phone:** 800-356-4206  
**Fax:** 608-424-3234  
**Email:** Geninfo@Federalind.com  
**Website:** Federalind.com