



*The Signature of Quality*

**FEDERAL INDUSTRIES**

A Standex Company

215 Federal Avenue Belleville  
Wisconsin 53508-9201

**Phone:** 800-356-4206

**Fax:** 608-424-3234

**Email:** Geninfo@Federalind.com

**Website:** Federalind.com

Project Name: \_\_\_\_\_

AIA #

Item #: \_\_\_\_\_

Model #: \_\_\_\_\_ Qty: \_\_\_\_\_

SIS #

Approval: \_\_\_\_\_

**Italian Glass 34" Non-Refrigerated Self-Serve Counter Display Case (open front)**

Designed for customers looking for rich, up-scale Italian styling for maximum visual appeal that will drive product sales.



ITDSS4834F shown

MODEL	DIMENSIONS <small>(Includes End Panels)</small>
<input type="checkbox"/> ITDSS3634F	36 x 30.75 x 34 (in) 914 x 781 x 864 (mm)
<input type="checkbox"/> ITDSS4834F	48 x 30.75 x 34 (in) 1219 x 781 x 864 (mm)
<input type="checkbox"/> ITDSS6034F	60 x 30.75 x 34 (in) 1524 x 781 x 864 (mm)

**STANDARD FEATURES**

**Model Features**

- Tempered thermo-pane glass construction
- Open front
- Stainless steel interior
- Removable, sliding tempered glass rear doors
- Cord & plug (6')

**Shelving**

- Three tiers of adjustable tempered glass shelves are adjustable up and down and can be tilted in two positions ( 0°/ 5° angle).

**Lighting**

- 3500K LED top light and shelf lights
- DLC certified, IP66 rated

**Agency Approvals**

- UL, C-UL, and UL Sanitation Listed to NSF-2

**OPTIONAL ACCESSORIES**

- 17" Deep Stainless steel or glass shelving
- Removable sliding glass rear doors
- Self-closing sliding glass front doors



**WARRANTY\***  
One year Parts and Labor  
2nd thru 5th year part only  
service compressor  
(U.S.A. and Canada)

Note: Information is subject to change at any time. Visit [www.federalind.com](http://www.federalind.com) For the most current specs.

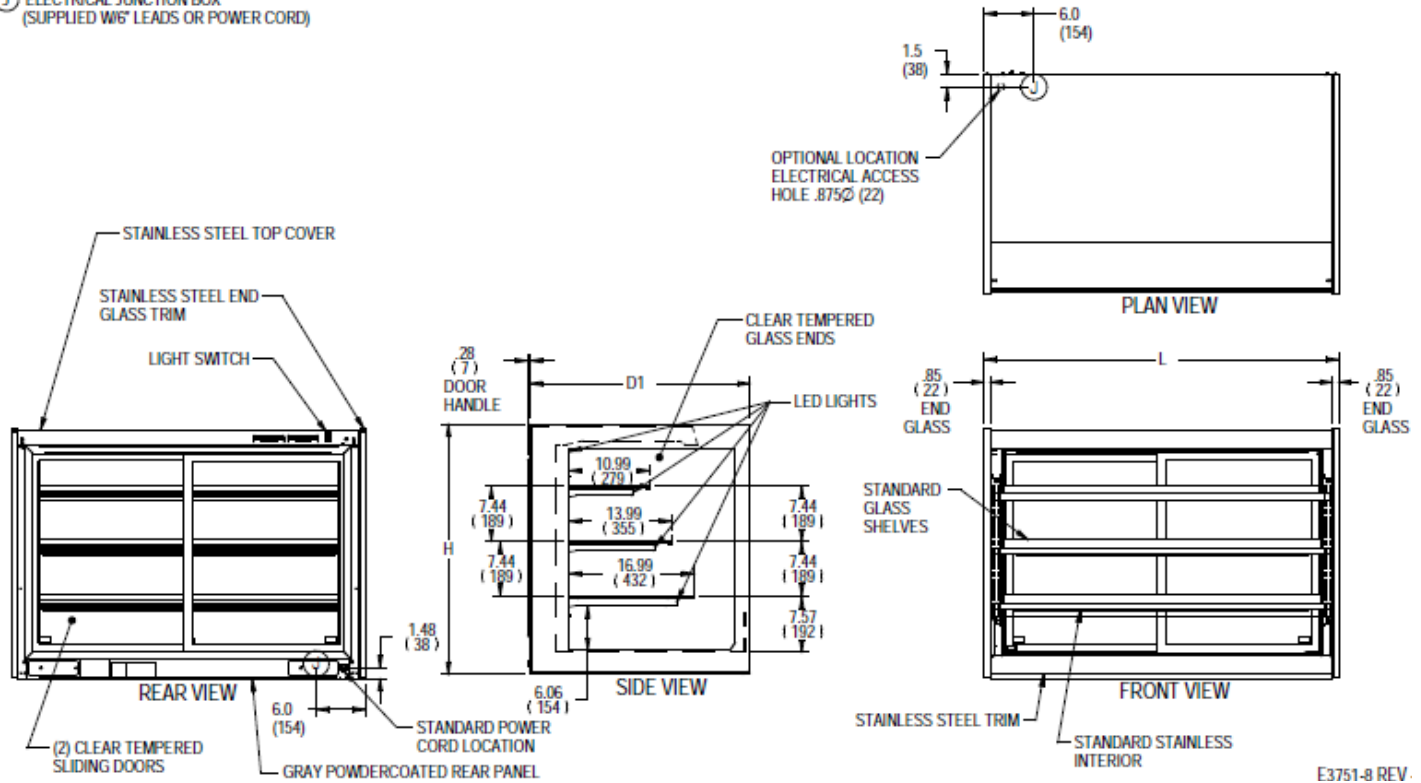
AIA #	<b>Italian Glass 34" Non-Refrigerated Self-Serve Counter Display Case (open front)</b>		
SIS #	Product Specifications		

Zone	Intended product to be displayed	Avg prod temp °F / °C
All	Non-refrigerated products	N / A

DIMENSIONS: xx"/(mm)

SYMBOL KEY:

SYMBOL KEY:  
 ELECTRICAL JUNCTION BOX  
 (SUPPLIED W/6' LEADS OR POWER CORD)



E3751-8 REV.

MODEL	DIMENSION				# OF TIERS	SHELVING				DISPLAY AREA SQ IN	INTERIOR VOLUME CU FT	PERMANENT CONNECT		OPTIONAL NEMA CORD & PLUG	SHIP WEIGHT
	L	D1	D2	H		DT	DM	DB	L			2-WIRE + GROUND			
	in	in	in	in		in	in	in	in			120/60/1	2-WIRE + GROUND		
	mm	mm	mm	mm		mm	mm	mm	mm			AMPS	MAX FUSE SIZE		
ITDSS3634F	36.00	30.00	30.75	34.00	3	11	14	17	30.88	1980 SQ IN	15.5 CU FT	1.5	15	NEMA 5-15P	275 LBS
	914	762	781	864		279	356	432	784						125 KILO
ITDSS4834F	48.00	30.00	30.75	34.00	3	11	14	17	42.88	2720 SQ IN	21 CU FT	1.5	15	NEMA 5-15P	350 LBS
	1219	762	781	864		279	356	432	1089						159 KILO
ITDSS6034F	60.00	30.00	30.75	34.00	3	11	14	17	54.88	3470 SQ IN	26 CU FT	1.5	15	NEMA 5-15P	475 LBS
	1524	762	781	864		279	356	432	1394						215 KILO

• Due to continuing engineering improvements, specifications are subject to change without notice.



**FEDERAL INDUSTRIES**  
 A Standex Company  
 215 Federal Avenue Belleville, Wisconsin 53508-9201

**Phone:** 800-356-4206  
**Fax:** 608-424-3234  
**Email:** Geninfo@Federalind.com  
**Website:** Federalind.com