



The Signature of Quality

### FEDERAL INDUSTRIES

A Standex Company

215 Federal Avenue Belleville  
Wisconsin 53508-9201

Phone: 800-356-4206

Fax: 608-424-3234

Email: Geninfo@Federalind.com

Website: Federalind.com

Project Name: \_\_\_\_\_

Item #: \_\_\_\_\_

Model #: \_\_\_\_\_ Qty: \_\_\_\_\_

Approval: \_\_\_\_\_

AIA #

SIS #

## Italian Glass 34" Non-Refrigerated Self-Serve Display Case (open front)

Designed for customers looking for a rich, up-scale Italian styling for maximum visual appeal that will drive product sales.



Model ITDSS4834F-B18  
Shown with options

MODEL	DIMENSIONS (Includes End Panels)
<input type="checkbox"/> ITDSS3634F-B18	36 x 30.75 x 52 (in) 914 x 781 x 1321 (mm)
<input type="checkbox"/> ITDSS4834F-B18	48 x 30.75 x 52 (in) 1219 x 781 x 1321 (mm)
<input type="checkbox"/> ITDSS6034F-B18	60 x 30.75 x 52 (in) 1524 x 781 x 1321 (mm)

### STANDARD FEATURES

#### Model Features

- Powder coated steel base construction with a choice of standard laminates
- Tempered thermo-pane glass construction
- Open front
- Removable sliding glass rear doors
- Stainless steel interior
- Adjustable leg levelers
- Cord & plug (6'/1829mm)

#### Shelving

- Adjustable tempered glass shelves. Shelves are adjustable up and down and can be tilted in two positions (0°/5° angle). 34" (864mm) models have three tiers of shelves; 26" (660 mm) models have two tiers of shelves.

#### Lighting

- 3500K LED top light and shelf lights
- DLC Certified, IP66 rated

#### Agency Approvals

- UL, C-UL, and UL Sanitation Listed to NSF-2

### OPTIONAL ACCESSORIES

- |  |  |
|--|--|
| <input type="checkbox"/> Premium exterior laminate             | <input type="checkbox"/> 6"/152mm Legs with or without skirt |
| <input type="checkbox"/> Stainless steel exterior              | <input type="checkbox"/> Rear wrap board                     |
| <input type="checkbox"/> Stainless steel shelving              | <input type="checkbox"/> Joining kit for continuous line ups |
| <input type="checkbox"/> 17" Stainless steel or glass shelving |  |
| <input type="checkbox"/> Reflective ends                       |  |
| <input type="checkbox"/> Reflective doors                      |  |
| <input type="checkbox"/> 4"/102mm Casters                      |  |
| <input type="checkbox"/> Recessed Casters                      |  |



**WARRANTY\***  
One year\* Parts and Labor  
2nd thru 5th year part only  
service compressor  
(U.S.A. and Canada)

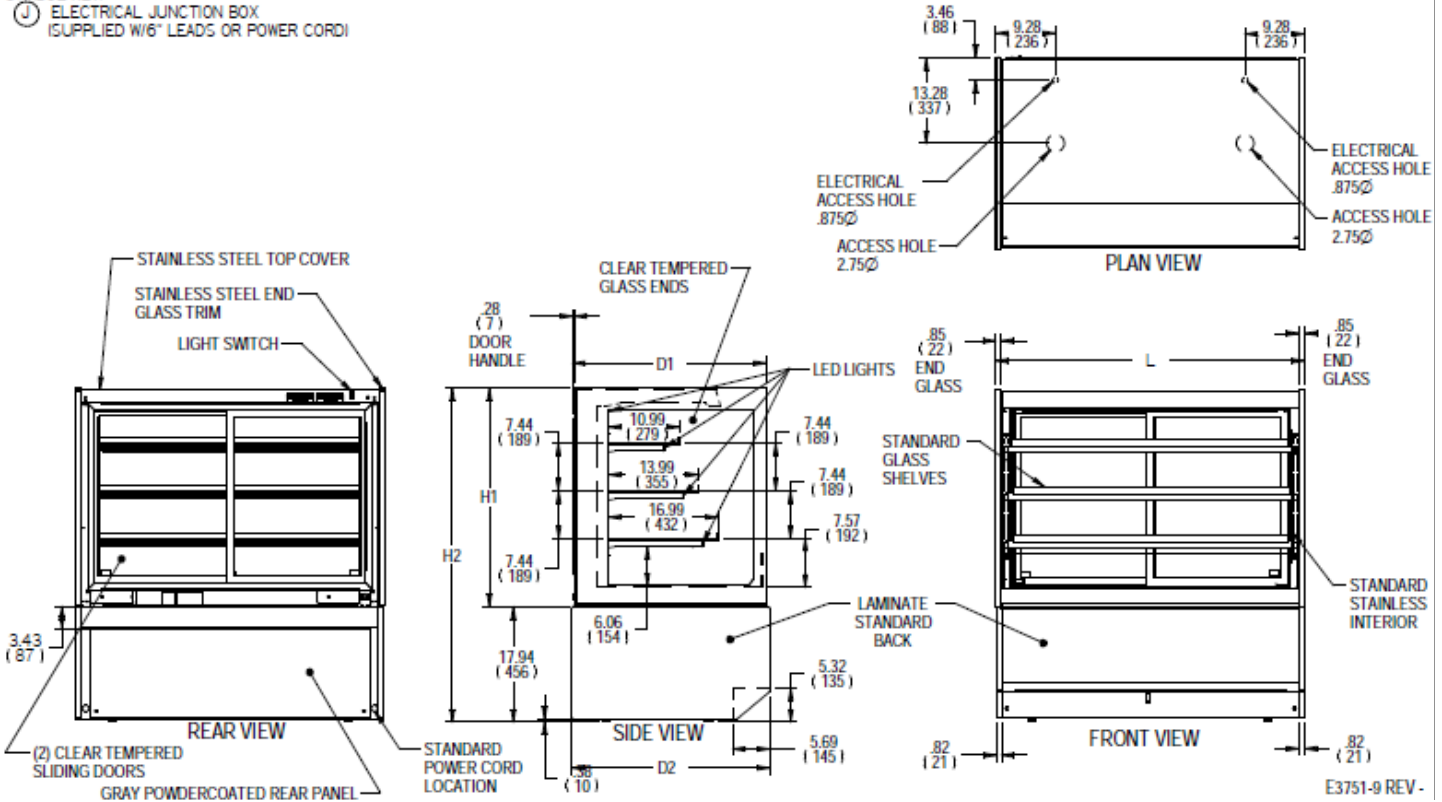
**Note: Information is subject to change at any time. Visit [www.federalind.com](http://www.federalind.com) For the most current specs.**

AIA #	<b>Italian Glass 34" Non-Refrigerated Self-Serve Display Case (open front)</b>
SIS #	Product Specifications

Zone	Intended product to be displayed	Avg prod temp °F / °C
All	Packaged non-refrigerated products	N/A

DIMENSION: xx"/(mm)

SYMBOL KEY:  
 ELECTRICAL JUNCTION BOX  
 (SUPPLIED W/6" LEADS OR POWER CORD)



MODEL	DIMENSION					SHELVING				DISPLAY AREA SQ IN	INTERIOR VOLUME CU FT	PERMANENT CONNECT		OPTIONAL NEMA		SHIP WEIGHT	
	L	D1	D2	H1	H2	# OF TIERS	DT	DM	DB			L	2-WIRE + GROUND		CORD & PLUG		
	in	in	in	in	in		in	in	in			in	120/60/1		2-WIRE + GROUND		
	mm	mm	mm	mm	mm		mm	mm	mm			mm	AMPS	MAX FUSE SIZE	120/60/1		KILO
ITDSS3634F-B18	36.00	30.00	30.75	34.00	52.00	3	11	14	17	30.88	1980 SQ IN	15.5 CU FT	1.5	15	NEMA 5-15P	575 LBS	
	914	762	781	864	1321		279	356	432	784						261 KILO	
ITDSS4834F-B18	48.00	30.00	30.75	34.00	52.00	3	11	14	17	42.88	2720 SQ IN	21 CU FT	1.5	15	NEMA 5-15P	690 LBS	
	1219	762	781	864	1321		279	356	432	1089						313 KILO	
ITDSS6034F-B18	60.00	30.00	30.75	34.00	52.00	3	11	14	17	54.88	3470 SQ IN	26 CU FT	1.5	15	NEMA 5-15P	800 LBS	
	1524	762	781	864	1321		279	356	432	1394						363 KILO	

• Due to continuing engineering improvements, specifications are subject to change without notice.



**FEDERAL INDUSTRIES**  
 A Standex Company  
 215 Federal Avenue, Belleville, Wisconsin 53508-9201

**Phone:** 800-356-4206  
**Fax:** 608-424-3234  
**Email:** Geninfo@Federalind.com  
**Website:** Federalind.com