



The Signature of Quality

FEDERAL INDUSTRIES

A Standex Company

215 Federal Avenue Belleville
Wisconsin 53508-9201

Phone: 800-356-4206

Fax: 608-424-3234

Email: Geninfo@Federalind.com

Website: Federalind.com

Project Name: _____

AIA #

Item #: _____

Model #: _____ Qty: _____

SIS #

Approval: _____

Italian Glass Series - Heated Drop-In Counter Case 26"

Designed for customers looking for rich, up-scale Italian styling for maximum visual appeal that will drive product sales.



Model ITH4826 Shown with Options
*Counter Not Provided

MODEL	DIMENSIONS <small>(Includes End Panels)</small>
<input type="checkbox"/> ITH3626	36 x 30 x 29.4 (in) 914 x 762 x 747 (mm)
<input type="checkbox"/> ITH4826	48 x 30 x 29.4 (in) 1219 x 762 x 747 (mm)
<input type="checkbox"/> ITH6026	60 x 30 x 29.4 (in) 1524 x 762 x 747 (mm)

STANDARD FEATURES

Model Features

- All tempered glass construction
- Tilt-out front glass for easy cleaning
- Removable sliding glass rear doors
- Stainless steel interior
- Cord & plug

Shelving

- Adjustable stainless steel shelves are adjustable up and down and can be tilted in two positions (0°/ 5° angle) 26" (660 mm) H models have two tiers of shelves

Lighting

- 3500K LED top light and shelf lights
- DLC certified, IP66 rated

Agency Approvals

- UL, C-UL, and UL Sanitation Listed to NSF-4

Note: The ITH counter display case requires counter to be cut and case dropped in

OPTIONAL ACCESSORIES

- Special base laminates
- Glass shelving
- 21" Stainless steel shelving (all shelves)
- Reflective rear doors
- Reflect end glass
- Humidity package
- Joining kit for continuous line-ups
- Available with dividers only



WARRANTY*
One year Parts and Labor
2nd thru 5th year part only
service compressor
(U.S.A. and Canada)

Note: Information is subject to change at any time. Visit www.federalind.com For the most current specs.

AIA #
SIS #



Italian Glass Series - Heated Drop-In Counter Case

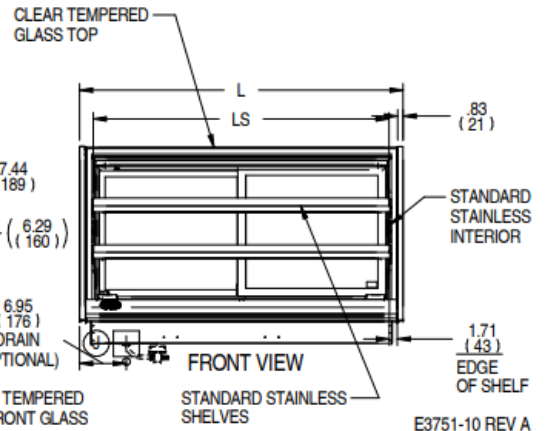
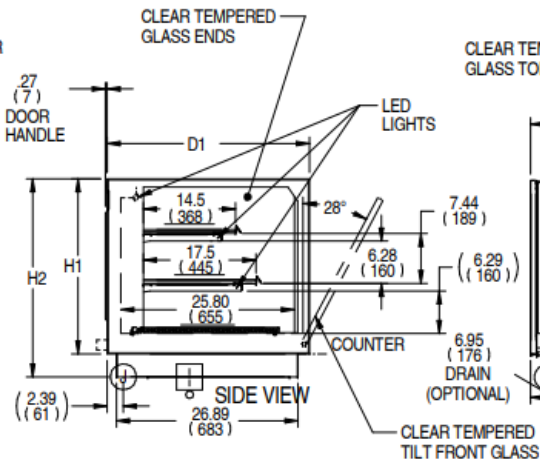
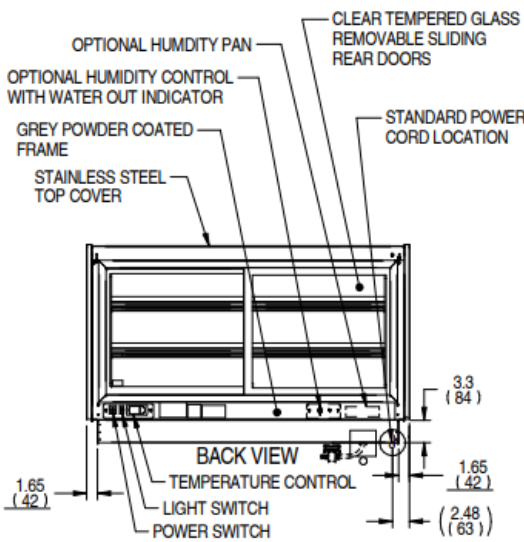
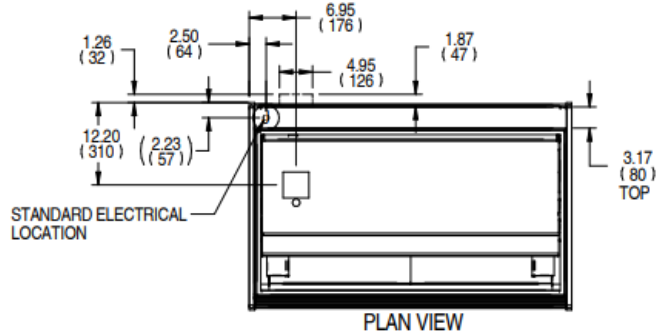
Packaged and unpackaged heated products

Zone	Intended product to be displayed	Avg prod temp °F / °C
All	Heated food products	160°F/(71.1°C)

DIMENSIONS: xx"/(mm)

SYMBOL KEY:

-  ELECTRICAL JUNCTION BOX (SUPPLIED W/6" LEADS OR POWER CORD)
-  HUMIDITY PAN DRAIN LOCATION (HUMIDITY PACKAGE ONLY)



MODEL	DIMENSIONS				COUNTER CUTOUT		# OF TIERS	SHELVING			DISPLAY AREA SQ IN	INTERIOR VOLUME CU FT	STANDARD CONNECTION CORD & PLUG			SHIP WEIGHT
	L	D	H1	H2	L	D		DT	DB	LS			2-WIRE + GROUND		NEMA CORD & PLUG	
	in	in	in	in	in	in		in	in	in			208-240/60/1			
	mm	mm	mm	mm	mm	mm		mm	mm	mm			AMPS	MAX FUSE SIZE		
ITH3626	36	30	26	29.4	33.4	27.7	2	14.5	17.5	30.73	1630	11.4	9 @ 208	15	NEMA 6-15P	450
	914	762	660	747	848	704		368	445	781			12 @ 240			204
ITH4826	48	30	26	29.4	45.4	27.7	2	14.5	17.5	42.73	2240	15.4	9 @ 208	15	NEMA 6-15P	510
	1219	762	660	747	1153	704		368	445	1085			12 @ 240			231
ITH6026	60	30	26	29.4	57.4	27.7	2	14.5	17.5	54.73	2850	19	9 @ 208	15	NEMA 6-15P	650
	1524	762	660	747	1458	704		368	445	1390			12 @ 240			295

• Due to continuing engineering improvements, specifications are subject to change without notice



FEDERAL INDUSTRIES
A Standex Company
215 Federal Avenue Belleville, Wisconsin 53508-9201

Phone: 800-356-4206
Fax: 608-424-3234
Email: Geninfo@Federalind.com
Website: Federalind.com