



The Signature of Quality®

**FEDERAL INDUSTRIES**

A Standex Company

215 Federal Avenue Belleville  
Wisconsin 53508-9201

**Phone:** 800-356-4206

**Fax:** 608-424-3234

**Email:** Geninfo@Federalind.com

**Website:** Federalind.com

Project Name: \_\_\_\_\_

Item #: \_\_\_\_\_

Model #: \_\_\_\_\_ Qty: \_\_\_\_\_

Approval: \_\_\_\_\_

AIA #

SIS #

## Italian Glass Series - Heated Drop-In Counter Display Case 34"

Designed for customers looking for rich, up-scale Italian styling for maximum visual appeal that will drive product sales.



Model ITH4826 Shown with Options  
\*Counter Not Provided

Note: The ITH counter case requires counter to be cut and case dropped in

### OPTIONAL ACCESSORIES

- Special base laminates
- Glass shelving
- 21" Stainless steel shelving (all shelves)
- Reflective rear doors
- Reflective end glass
- Humidity package
- Joining kit for continuous line-ups  
- Available with dividers only

MODEL	DIMENSIONS (Includes End Panels)
<input type="checkbox"/> ITH3634	36 x 30 x 37.4 (in) 914 x 762 x 950 (mm)
<input type="checkbox"/> ITH4834	48 x 30 x 37.4 (in) 1219 x 762 x 950 (mm)
<input type="checkbox"/> ITH6034	60 x 30 x 37.4 (in) 1524 x 762 x 950 (mm)

### STANDARD FEATURES

#### Model Features

- All tempered glass construction
- Tilt-out front glass for easy cleaning
- Removable sliding glass rear doors
- Stainless steel interior
- Cord & plug

#### Shelving

- Adjustable stainless steel shelves are adjustable up and down and can be tilted in two positions ( 0°/ 5° angle) 34" (864mm) models have three tiers of shelves

#### Lighting

- 3500K LED top light and shelf lights
- DLC certified, IP66 rated

#### Agency Approvals

- UL, C-UL, and UL Sanitation Listed to NSF-4

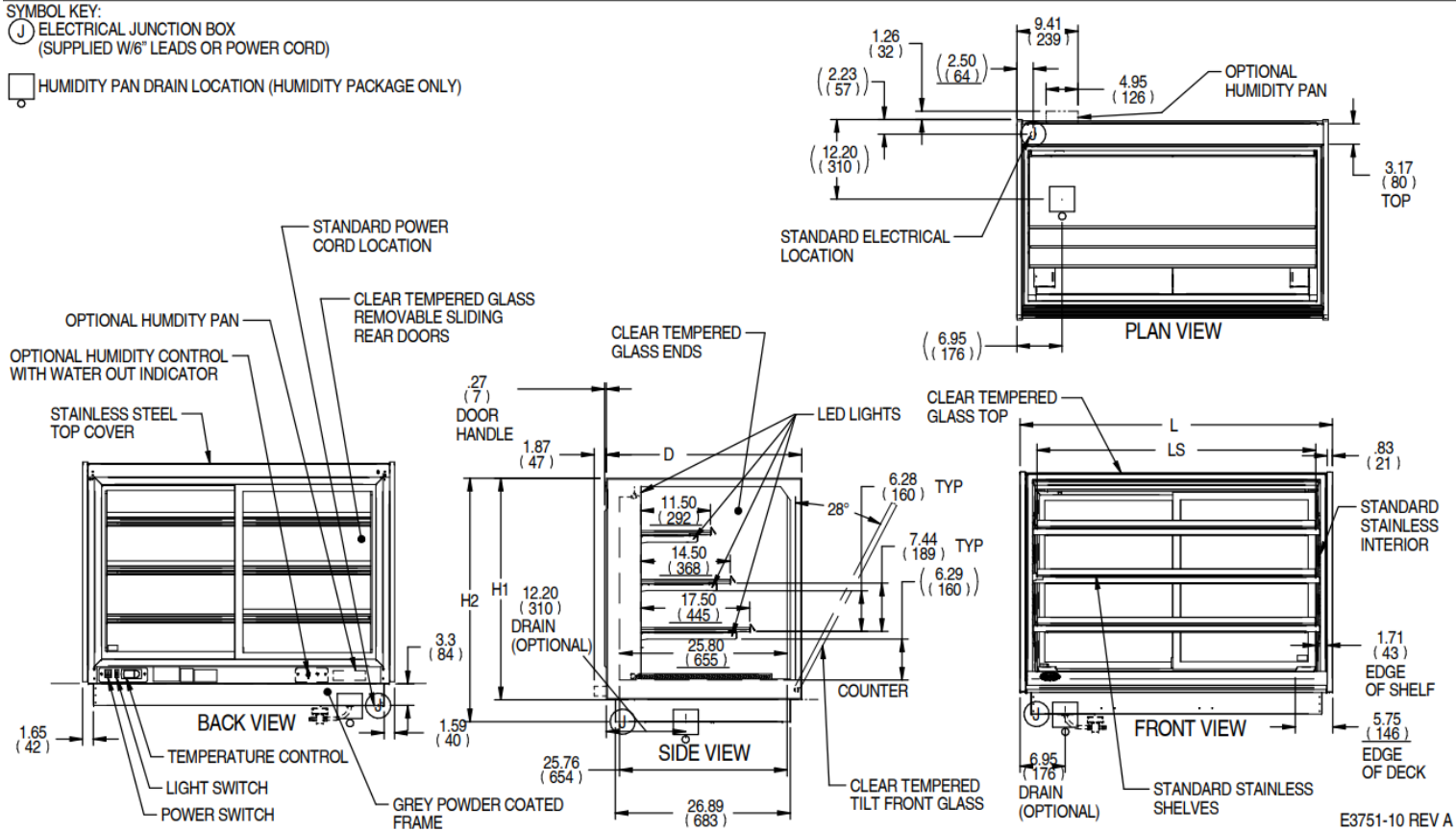


Note: Information is subject to change at any time. Visit [www.federalind.com](http://www.federalind.com) For the most current specs.

AIA #	<h1>Italian Glass Series - Heated Drop-In Counter Display Case</h1>
SIS #	<h2>Product Specifications</h2>

Zone	Intended product to be displayed	Avg prod temp °F / °C
All	Packaged and unpackaged heated product	160°F/(71.1°C)

DIMENSIONS: xx"/(mm)



MODEL	DIMENSIONS				COUNTER CUTOUT		SHELVING				DISPLAY AREA SQ IN	INTERIOR VOLUME CU FT	STANDARD CONNECTION CORD & PLUG			SHIP WEIGHT	
	L	D	H1	H2	L	D	# OF TIERS	DT	DM	DB			LS	2-WIRE + GROUND			NEMA CORD & PLUG
	in	in	in	in	in	in		in	in	in			in	208-240/60/1			
	mm	mm	mm	mm	mm	mm		mm	mm	mm			mm	AMPS	MAX FUSE SIZE	KILO	
ITH3634	36	30	34	37.4	33.4	27.7	3	11.5	14.5	17.5	30.73	1980	15.5	9 @ 208	15	NEMA 6-15P	550
	914	762	864	950	848	704		292	368	445	781			12 @ 240			249
ITH4834	48	30	34	37.4	45.4	27.7	3	11.5	14.5	17.5	42.73	2720	21	9 @ 208	15	NEMA 6-15P	600
	1219	762	864	950	1153	704		292	368	445	1085			12 @ 240			272
ITH6034	60	30	34	37.4	57.4	27.7	3	11.5	14.5	17.5	54.73	3470	26	9 @ 208	15	NEMA 6-15P	725
	1524	762	864	950	1458	704		292	368	445	1390			12 @ 240			329

• Due to continuing engineering improvements, specifications are subject to change without notice



**FEDERAL INDUSTRIES**  
 A Standex Company  
 215 Federal Avenue Belleville, Wisconsin 53508-9201

**Phone:** 800-356-4206  
**Fax:** 608-424-3234  
**Email:** Geninfo@Federalind.com  
**Website:** Federalind.com