



The Signature of Quality

FEDERAL INDUSTRIES

A Standex Company
215 Federal Avenue
Belleville, WI 53508-9201
Phone: 800-356-4206
Fax: 608-424-3234
Email: geninfo@federalind.com
Website: www.federalind.com

Project Name: _____

Item #: _____

Model #: _____ Qty: _____

Approval: _____

AIA#

SIS#

HYBRID MERCHANDISER

SERVICE NON-REFRIGERATED OVER SELF-SERVE REFRIGERATED

MODEL	DIMENSIONS (Includes End Panels)
<input type="checkbox"/> CD3628/RSS3SC	36.25x 39 x 69.75 (in) 921 x 991 x 1772 (mm)
<input type="checkbox"/> CD4828/RSS4SC	48 x 39 x 69.75 (in) 1219 x 991 x 1772 (mm)

SELF-SERVE NON-REFRIGERATED OVER SELF-SERVE REFRIGERATED

MODEL	DIMENSIONS (Includes End Panels)
<input type="checkbox"/> CD3628SS/RSS3SC	36.25 x 39 x 69.75 (in) 921 x 991 x 1772 (mm)
<input type="checkbox"/> CD4828SS/RSS4SC	48 x 39 x 69.75 (in) 1219 x 991 x 1772 (mm)

Display more product and serve more customers with presentation and value in mind.



STANDARD FEATURES

Refrigerated Self-Serve Bottom Display

- Black laminated exterior. Other finishes available.
- Black trim. Silver optional.
- Black interior, glass ends.
- Horizontal LED top and front light.
- Two tiers black metal shelves.
- Electronic temperature control maintains 38° to 40 case temperature. Note: Case temperature will vary if the air curtain is disrupted.
- Cord and plug.
- Condensate evaporator (separate circuit required on model RSS6SC)
- R290 Refrigerant

Service or Self-Serve Non-Refrigerated Top Display

- Two tiers black wire shelves.
- Sliding rear doors.
- Black trim.
- Self-Serve has three hinged lift-up front doors.

Lighting

- LED top light and shelf lights.

Agency Approvals

- UL Safety and UL Sanitation Listed to NSF Type II conditions.
- DOE 2017 Compliant

OPTIONAL ACCESSORIES

For Top Display

- Glass Shelves
- Reflective Ends
- Reflective Rear Doors

For Self-Serve Refrigerated Base

- Energy Saving Night Curtain
- Silver Trim
- Special Base Finish
- Mirrored Interior Ends
- Security Night Cover
- Stainless Steel Steps in Lieu of Metal Shelves
- Reflective End Glass



WARRANTY*
One year Parts and Labor
2nd thru 5th year part
only service compressor
(U.S.A and Canada)

Note: Information is subject to change at any time.
Visit www.federalind.com for the most current specs.

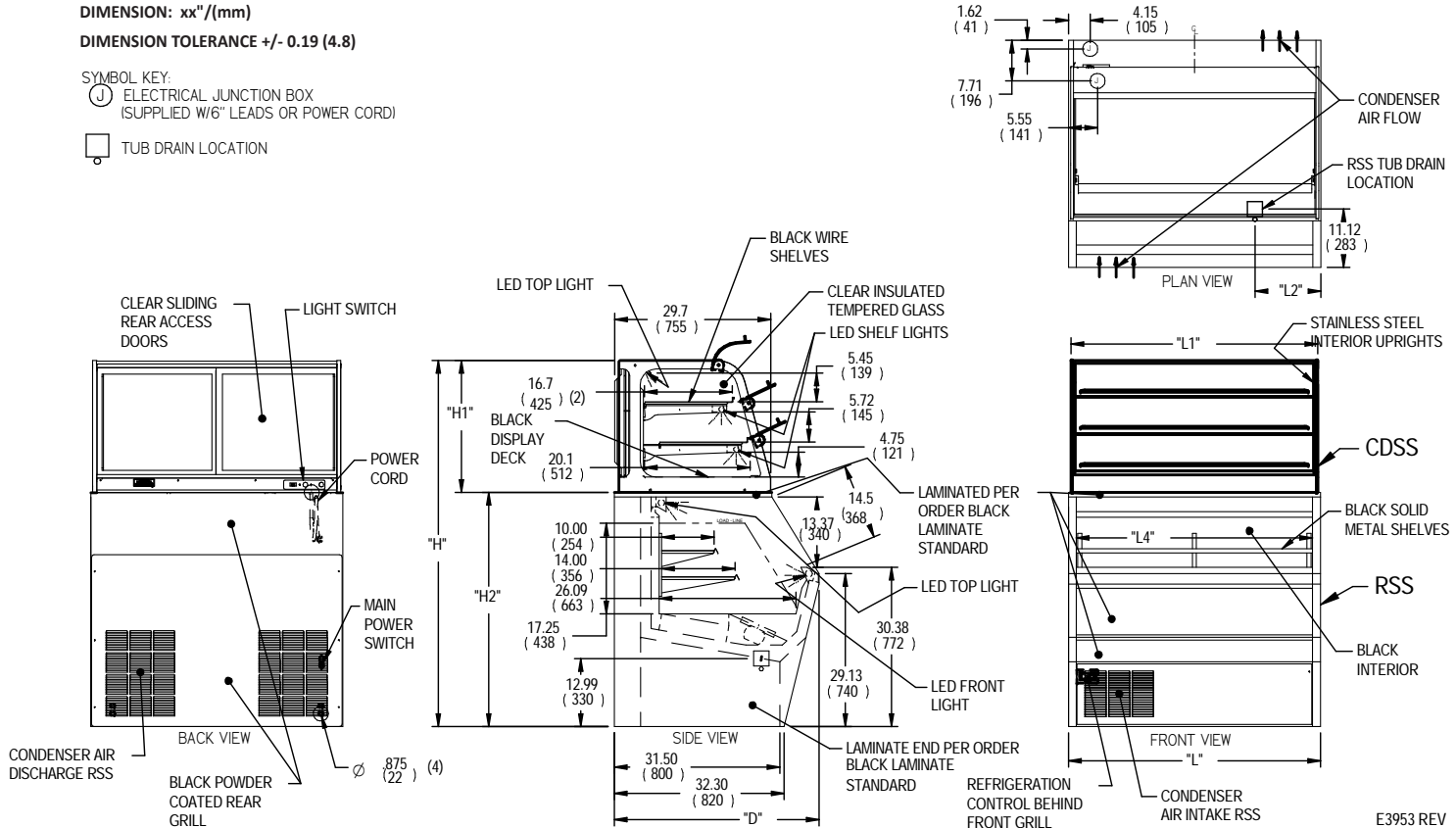
AIA#	HYBRID MERCHANDISER
SIS#	Product Specifications

Intended Environment: Type I - Designed to operate in maximum ambient conditions of 75°F (24°C) and 55% relative humidity unless noted otherwise in system information below.

Zone	Intended Product To Be Displayed	Avg Prod Temp °F/°C
All	Packaged Refrigerated Products	38°F / (3.3°C)

DIMENSION: xx"/(mm)
DIMENSION TOLERANCE +/- 0.19 (4.8)

SYMBOL KEY:
 ELECTRICAL JUNCTION BOX (SUPPLIED W/6" LEADS OR POWER CORD)
 TUB DRAIN LOCATION



E3953 REV

													SELF CONTAINED						
MODEL	HYBRID INFO			CASE	DIMENSION			TUB DRAIN	SHELVING			INTERIOR VOLUME CU FT	ELECTRICAL			FREON	C.U. HP	SHIP WGT	
	DIMENSION				L1	H1	H2		L2	# OF TIERS	L3		L4	2-WIRE + GROUND 120/60/1					
	L	D	H		in	in	in		in		in		in	AMPS	MAX FUSE SIZE				CORD & PLUG
	in	in	in		mm	mm	mm		mm	mm	mm		mm						KILO
CD3628SS/RSS3SC	36.25	39.00	69.75	CD3628SS	35.0	25.1			2	32.7		10.50	1.5	15	NEMA 5-15P		790 LBS		
				1	889	638				831									
	921	991	1772	RSS3SC			44.63	12.50	2		33.3	7.18	16	20	NEMA 5-20P	R290	1/2	358 KILO	
			1			1133	318			845									
CD4828SS/RSS4SC	48.00	39.00	69.75	CD4828SS	47.0	25.1			2	44.7		14.00	1.5	15	NEMA 5-15P		900 LBS		
				1	1194	638				1135									
	1219	991	1772	RSS4SC			44.63	12.50	2		45.0	9.72	16	20	NEMA 5-20P	R290	1/2	408 KILO	
			1			1133	318			1143									

- * On the RSS6SC a separate 120/60/1 15 AMP circuit is required for the condensate evaporator.
- If a GFCI circuit is required, a GFCI Breaker Must be used instead of GFCI recepticle.
- Refrigerated cases are designed to operate in a maximum of 75°F (24°C) ambient and 55% relative humidity.
- Due to continuing engineering improvements, specifications are subject to change without notice.a



FEDERAL INDUSTRIES
 A Standex Company
 215 Federal Avenue Belleville, Wisconsin 53508-9201

Phone: 800-356-4206
Fax: 608-424-3234
Email: Geninfo@Federalind.com
Website: Federalind.com