



The Signature of Quality®

FEDERAL INDUSTRIES

A Standex Company
215 Federal Avenue
Belleville, WI 53508-9201
Phone: 800-356-4206
Fax: 608-424-3234
Email: geninfo@federalind.com
Website: www.federalind.com

Project Name: _____

Item #: _____

Model #: _____ Qty: _____

Approval: _____

AIA#

SIS#

HYBRID MERCHANDISER

SERVICE HOT OVER SELF-SERVE REFRIGERATED

MODEL	DIMENSIONS (Includes End Panels)
<input type="checkbox"/> CH3628/RSS3SC	36-1/4 x 39 x 69.75 (in) 921 x 991 x 1772 (mm)
<input type="checkbox"/> CH4828/RSS4SC	48 x 39 x 69.75 (in) 1219 x 991 x 1772 (mm)

SELF-SERVE HOT OVER SELF-SERVE REFRIGERATED

MODEL	DIMENSIONS (Includes End Panels)
<input type="checkbox"/> CH3628SS/RSS3SC	36-1/4 x 39 x 69.75 (in) 921 x 991 x 1772 (mm)
<input type="checkbox"/> CH4828SS/RSS4SC	48 x 39 x 69.75 (in) 1219 x 991 x 1772 (mm)

Display more product and serve more customers with presentation and value in mind.



STANDARD FEATURES

Refrigerated Self-Serve Bottom Display

- Black laminated exterior. Other finishes available.
- Black trim. Silver optional.
- Black interior, glass ends.
- LED Horizontal top and front light.
- Two tiers black metal shelves.
- Cord and plug. (Not available on six foot unit.)
- Electronic temperature control maintains 38° to 40° case temperature. Note: Case temperature will vary if the air curtain is disrupted.
- Thermometer
- R290 Refrigerant

Service or Self-Serve Hot Top Display

- Two adjustable stainless steel heated shelves
- Sliding rear doors
- Stainless steel deck
- Black trim
- Humidified air system on service model.
- Self-Serve has three hinged lift-up front doors
- Thermometer

Lighting

- Incandescent top and shelf lights

Agency Approvals

- UL Safety and UL Sanitation Listed to NSF Type II conditions
- DOE 2017 Compliant

OPTIONAL ACCESSORIES

For Top Display

- Reflective Ends
- Reflective Rear Doors

For Self-Serve Refrigerated Base

- Energy Saving Night Curtain
- Silver Trim
- Special Base Finish
- Mirrored Interior Ends
- Security Night Cover
- Stainless Steel Steps in Lieu of Metal Shelves
- Reflective End Glass



WARRANTY*
One year Parts and Labor
2nd thru 5th year part only service compressor
(U.S.A and Canada)

Note: Information is subject to change at any time.
Visit www.federalind.com for the most current specs.

AIA#

SERVICE HOT OVER SELF-SERVICE REFRIGERATED MERCHANDISER

SIS#

Product Specifications

Intended Environment: Type I - Designed to operate in maximum ambient conditions of 75°F (24°C) and 55% relative humidity unless noted otherwise in system information below.

Zone	Intended Product To Be Displayed	Avg Prod Temp °F/°C
All	Packaged Refrigerated Products	38°F / (3.3°C)

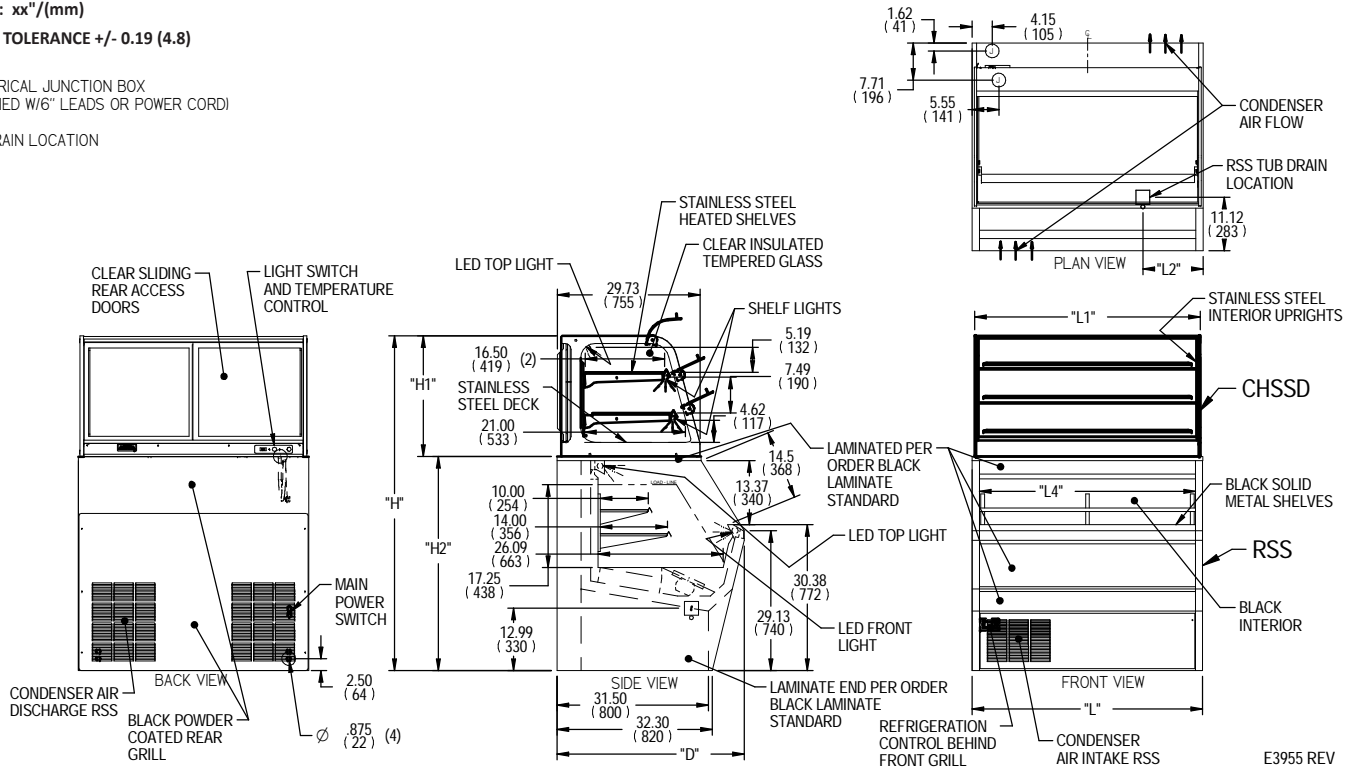
DIMENSION: xx"/(mm)

DIMENSION TOLERANCE +/- 0.19 (4.8)

SYMBOL KEY:

Ⓝ ELECTRICAL JUNCTION BOX
(SUPPLIED W/6" LEADS OR POWER CORD)

□ TUB DRAIN LOCATION



E3955 REV

MODEL	HYBRID INFO			SELF CONTAINED														
	DIMENSION			INDIV. CASE	DIMENSION			TUB DRAIN	SHELVING			INTERIOR VOLUME CU FT	ELECTRICAL			FREON	C.U. HP	SHIP WGT
	L	D	H		L1	H1	H2		L2	# OF TIERS	L3		L4	2-WIRE + GROUND 120/60/1	AMPS			
	in	in	in	in	in	in	in	in	in	in	in	in	in	in	in	in	in	LBS
	mm	mm	mm	QTY	mm	mm	mm	mm	mm	mm	mm	mm	mm	mm	mm	mm	mm	KILO
CH3628SS/RSS3	36.25	39.00	69.75	CH3628SSD	35.0	25.1			2	33.5		9.25	10.2	15	NEMA 5-15P CORD & PLUG			847 LBS
				1	889	638				851								
CH4828SS/RSS4	48.00	39.00	69.75	CH4828SSD	47.0	25.1			2	45.5		12.50	12.5	15	NEMA 5-15P CORD & PLUG			1010 LBS
				1	1194	638				1156								
CH3628SS/RSS3	921	991	1772	RSS3SC			44.6	12.50	2		33.3	7.18	16	20	NEMA 5-20P CORD & PLUG	R513a	1/2	384 KILO
				1			1133	318			845							
CH4828SS/RSS4	1219	991	1772	RSS4SC			44.63	12.50	2		45.0	9.72	16	20	NEMA 5-20P CORD & PLUG	R513a	1/2	458 KILO
				1			1133	318			1143							

- Refrigerated cases are designed to operate in a maximum of 75°F (24°C) ambient and 55% relative humidity.
- Due to continuing engineering improvements, specifications are subject to change without notice.
- On the six foot display a separate 120/60/1 15 AMP circuit is required for the condensate evaporator.

DOE 2017
Energy Efficiency
Compliant



The Signature of Quality®

FEDERAL INDUSTRIES

A Standex Company

215 Federal Avenue Belleville, Wisconsin 53508-9201

Phone: 800-356-4206

Fax: 608-424-3234

Email: Geninfo@Federalind.com

Website: Federalind.com