



The Signature of Quality

FEDERAL INDUSTRIES

A Standex Company
215 Federal Avenue
Belleville, WI 53508-9201

Phone: 800-356-4206
Fax: 608-424-3234
Email: geninfo@federalind.com
Website: www.federalind.com

Project Name: _____

Item #: _____

Model #: _____ Qty: _____

Approval: _____

AIA#

SIS#

REFRIGERATED SELF-SERVE ISLAND MERCHANDISER

Designed with impulse sales in mind. Get maximum return and increased profits with shop-around merchandising.

MODEL	DIMENSIONS
<input type="checkbox"/> IMSS120SC-2	120.5 x 40.50 x 57 (in) 3061 x 1029 x 1448 (mm)
<input type="checkbox"/> IMSS120SC-3	120.5 x 40.50 x 62 (in) 3061 x 1029 x 1575 (mm)



Model IMSS120SC-3 Shown

STANDARD FEATURES

Model Features

- Black metal base, interior and canopy. Choice of six standard laminates on exterior. Other color laminates are optional
- Curved Air Deflector
- Easily accessible light switch and temperature control
- Insulated with high-density foam
- Adjustable Leg Levelers

Refrigeration

- Condensate evaporator provided for a totally self-contained system
- Condensate pump provided on model IMSS120SC-2 and all remote models
- Easy clean, rust-proof insulated evaporator coil compartment
- Refrigeration controls maintain 38°-40° F. Note: Case temperature will vary if the air curtain is disrupted
- R454c refrigerant
- Thermometer

Shelving

- Adjustable black metal shelves, two or three tiers

Lighting

- 3500K LED top and under shelf lighting
- DLC Certified, IP66 rated

Agency Approvals

- UL Safety and UL Sanitation Listed to NSF Standard No. 7
- DOE 2017 Compliant

OPTIONAL ACCESSORIES

- Special Color Laminated Exterior Finish
- Recessed Casters or Legs
- Cord and Plug (30 AMP)
- Remote Refrigeration (EEV Included) (R449a refrigerant)
- Condensate Pump
- Cart Bumper
- Top-Mounted Electrical
- Large-capacity condensate evaporator assembly (field install) (separate 208/240V, 20A circuit required)



WARRANTY*
One year Parts and Labor
2nd thru 5th year part
only service compressor
(U.S.A and Canada)



Note: Information is subject to change at any time. Visit www.federalind.com for the most current specs.

AIA#

REFRIGERATED SELF-SERVE ISLAND MERCHANDISER

SIS#

Product Specifications

Intended Environment: Type I - Designed to operate in maximum ambient conditions of 75°F (24°C) and 55% relative humidity unless noted otherwise in system information below.

Zone	Intended Product To Be Displayed	Avg Prod Temp °F/°C
All	Packaged Refrigerated Products	38°F / (3.3°C)

DIMENSIONS: xx"/(mm)

DIMENSION TOLERANCE +/- .19 (4.8)

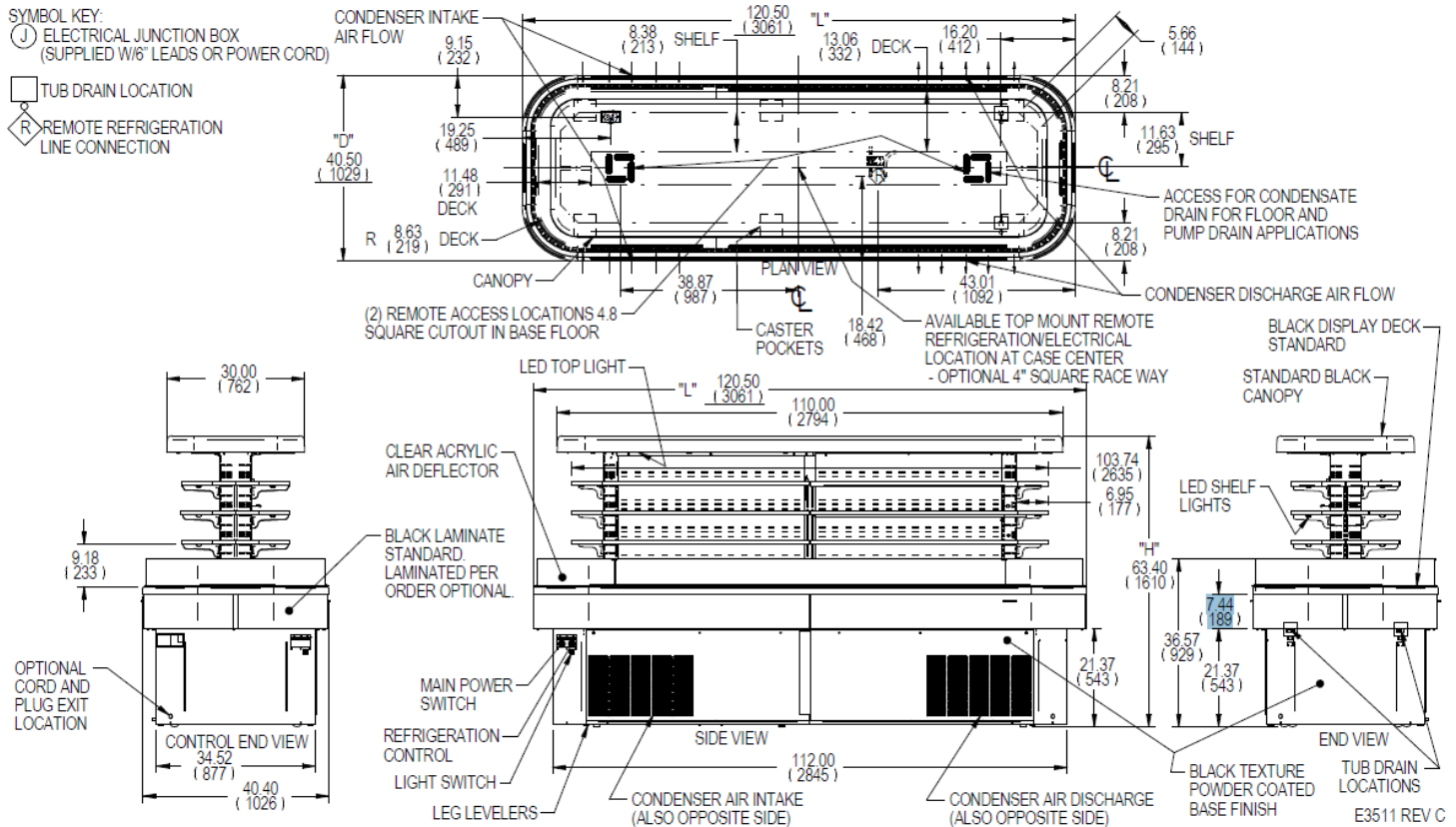
IMSS120-3 SHOWN

SYMBOL KEY:

Ⓝ ELECTRICAL JUNCTION BOX
(SUPPLIED W/6" LEADS OR POWER CORD)

□ TUB DRAIN LOCATION

Ⓡ REMOTE REFRIGERATION
LINE CONNECTION



MODEL	DIMENSION			SHELVING			INTERIOR VOLUME CU FT	PRODUCT AREA SQ FT	SELF CONTAINED						REMOTE						
	L	D	H	# OF TIERS	D	L			PERMANENT CONNECT 2-WIRE + GROUND 208-230/60/1	OPTIONAL NEMA CORD & PLUG 2-WIRE + GROUND 208-230/60/1	REFRIGERANT	CONDENSATE REMOVAL	SHIP WEIGHT LBS	PERMANENT CONNECT 2-WIRE + GROUND 208-230/60/1		REFRIGERANT	BTU'S @+20'	CONDENSATE REMOVAL	SHIP WEIGHT LBS		
	in	in	in		in	in			AMPS	MAX FUSE SIZE				KILO	AMPS					MAX FUSE SIZE	KILO
	mm	mm	mm		mm	mm															
IMSS120-2	120.50	40.50	58.40	2	8.5	103.89	31.80	46.00	29.3	40	NEMA L6-30P	R454c	CONDENSATE PUMP	1375 LBS	8.0	15	R449a	25,200	CONDENSATE PUMP	1175 LBS	
	3061	1029	1483		216	2639								624 KILO					533 KILO		
IMSS120-3	120.50	40.50	63.40	3	8.5	103.90	37.00	58.00	29.3	40	NEMA L6-30P	R454c	CONDENSATE PAN	1450 LBS	8.0	15	R449a	25,200	CONDENSATE PUMP	1250 LBS	
	3061	1029	1610		216	2639								658 KILO					567 KILO		

- NOTE WHEN DIRECT WIRING THE CASE, A 25 AMP MINIMUM CIRCUIT IS REQUIRED ON THE IMSS60SC AND A 30 AMP MINIMUM CIRCUIT IS REQUIRED ON THE IMSS84SC.
- Case temperature will vary if the air curtain disrupted
- Refrigerated cases are designed to operate in a maximum of 75°F (24°C) ambient and 55% relative humidity.
- Due to continuing engineering improvements, specifications are subject to change without notice.



The Signature of Quality®

FEDERAL INDUSTRIES

A Standex Company

215 Federal Avenue Belleville, Wisconsin 53508-9201

Phone: 800-356-4206

Fax: 608-424-3234

Email: Geninfo@Federalind.com

Website: Federalind.com