



The Signature of Quality

FEDERAL INDUSTRIES

A Standex Company
215 Federal Avenue
Belleville, WI 53508-9201

Phone: 800-356-4206
Fax: 608-424-3234
Email: geninfo@federalind.com
Website: www.federalind.com

Project Name: _____

Item #: _____

Model #: _____ Qty: _____

Approval: _____

AIA#

SIS#

REFRIGERATED SELF-SERVE MULTI-DECK SPECIALTY MERCHANDISER

REMOTE UNITS DESIGNED FOR CONTINUOUS LINE-UPS

Designed with impulse in mind. Get maximum return from an attention-grabbing merchandiser and increase profits.



MODEL	DIMENSIONS (Includes End Panels)
<input type="checkbox"/> LMD4878R	49.8 x 38 x 78 (in) 1265 x 965 x 1981 (mm)
<input type="checkbox"/> LMD7278R	73.8 x 38 x 78 (in) 1875 x 965 x 1981 (mm)
<input type="checkbox"/> LMD9678R	97.8 x 38 x 78 (in) 2484 x 965 x 1981 (mm)

STANDARD FEATURES

Model Features

- Insulated with high-density urethane foam.
- Designed for continuous line-ups.
- White interior, black optional.
- Choice of six standard laminates on exterior base, other colors laminates are optional. Black trim and top front canopy.
- Energy saving night curtain.
- Thermometer
- Recessed casters w/ leg levelers

Refrigeration

- Electronic temperature control maintains average product temperature 38° to 40°. Note: Case temperature will vary if the air curtain is disrupted.
- Remote: Designed for R449a Refrigeration (EEV Included)

Shelving

- Adjustable white metal shelves with price tag molding. Shelves can be flat or slanted. Five tiers, black optional.

Lighting

- 3500K LED top light and shelf lights.
- DLC Certified, IP66 rated.

Agency Approvals

- UL Safety and UL Sanitation Listed to NSF Type II conditions.
- DOE 2017 Compliant

OPTIONAL ACCESSORIES

- Special Laminate Base Finish
- Security Cover
- Joining Kit For Continuous Line-ups
- Top Condensing Unit w/Condo Pan Shipped Separately
- Condensate Pump
- Black Interior (Including Shelving)
- White Top Front Canopy
- Reflective End Glass



WARRANTY*
One year Parts and Labor
2nd thru 5th year part
only service compressor
(U.S.A and Canada)



Note: Information is subject to change at any time.
Visit www.federalind.com for the most current specs.

AIA#

REFRIGERATED SELF-SERVE MULTI-DECK SPECIALTY MERCHANDISER

SIS#

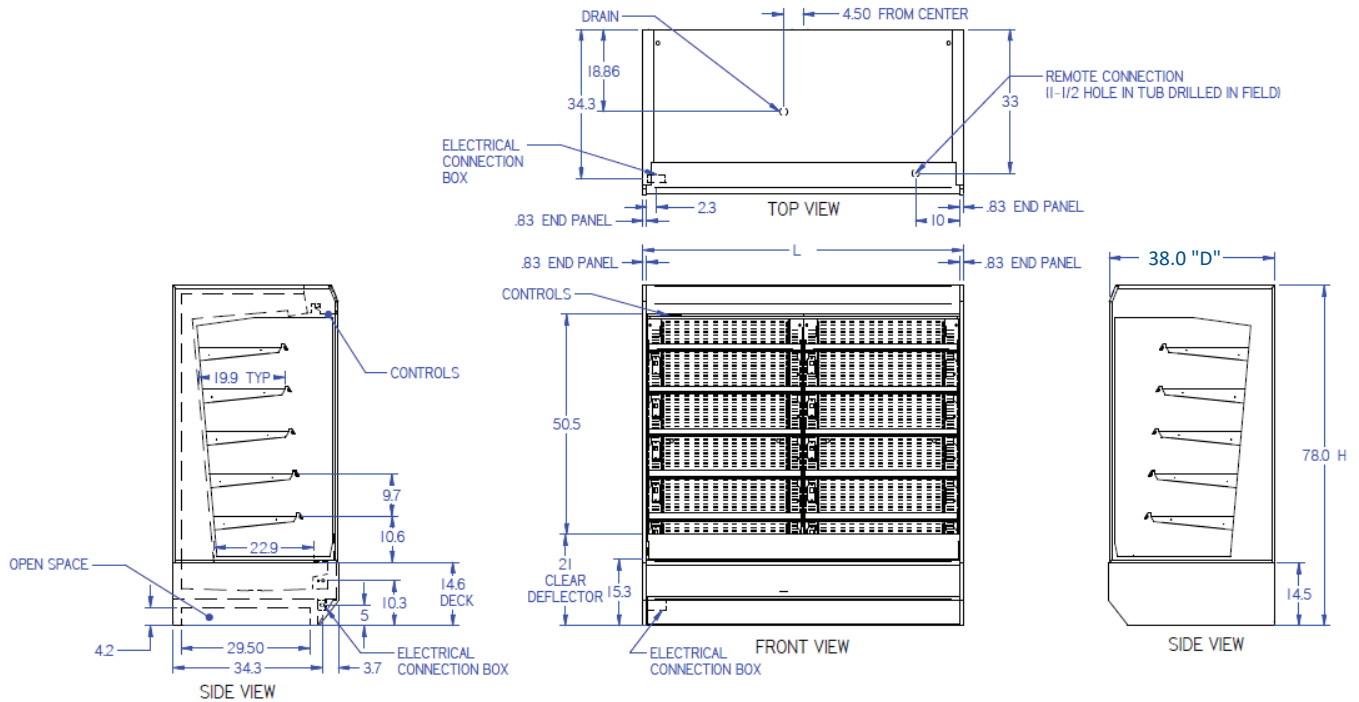
Product Specifications

Intended Environment: Type I - Designed to operate in maximum ambient conditions of 75°F (24°C) and 55% relative humidity unless noted otherwise in system information below.

Zone	Intended Product To Be Displayed	Avg Prod Temp °F/°C
All	Packaged Refrigerated Products	38°F / (3.3°C)

DIMENSION: xx"/(mm)

DIMENSION TOLERANCE +/- 0.19 (4.8)



MODEL	DIMENSIONS				SHIPPING WHT		REMOTE 120/60/1
	L	D	H1	UNITS	LBS	KILO	
LMD4878R	49.8	38	78	in.	800	363	15 AMPS
	1265	965	1981	mm.			
LMD7278R	73.8	38	78	in.	1070	485	15 AMPS
	1875	965	1981	mm.			
LMD9678R	97.8	38	78	in.	1260	572	15 AMPS
	2484	965	1981	mm.			

- Case temperature will vary if the air curtain is disrupted.
- Refrigerated cases are designed to operate in a maximum of 80°F (27°C) ambient and 55% relative humidity.
- Due to continuing engineering improvements, specifications are subject to change without notice.
- If a GFCI circuit is required, a GFCI Breaker Must be used instead of GFCI receptacle.

DOE 2017
Energy Efficiency
Compliant



The Signature of Quality®

FEDERAL INDUSTRIES

A Standex Company

215 Federal Avenue, Belleville, Wisconsin 53508-9201

Phone: 800-356-4206

Fax: 608-424-3234

Email: Geninfo@Federalind.com

Website: Federalind.com