



The Signature of Quality®

FEDERAL INDUSTRIES

A Standex Company
215 Federal Avenue
Belleville, WI 53508-9201

Phone: 800-356-4206
Fax: 608-424-3234
Email: geninfo@federalind.com
Website: www.federalind.com

Project Name: _____

Item #: _____

Model #: _____ Qty: _____

Approval: _____

AIA#

SIS#

REFRIGERATED SELF-SERVE LOW PROFILE SPECIALTY MERCHANDISER

Maximize your display potential with Federal's low-profile, refrigerated self-serve merchandiser. Bring product to the customer for increased sales with the reduced labor of a self-serve display case.



Model LPRSS4 Shown

MODEL	DIMENSIONS (Includes End Panels)
<input type="checkbox"/> LPRSS3	36 x 34 x 46 (in) 914 x 864 x 1168 (mm)
<input type="checkbox"/> LPRSS4	48 x 34 x 46 (in) 1219 x 864 x 1168 (mm)
<input type="checkbox"/> LPRSS5	60 x 34 x 46 (in) 1524 x 864 x 1168 (mm)
<input type="checkbox"/> LPRSS6	72 x 34 x 46 (in) 1829 x 864 x 1168 (mm)

STANDARD FEATURES

Model Features

- Steel base construction with choice of standard laminates on exterior.
- Black trim
- Easily accessible light switch, power switch, and adjustable temperature control.
- Rear access to refrigeration system for quick and easy service
- Energy-saving night curtain
- Stainless steel display deck and black interior ends and back panel.
- Glass end panels.
- Adjustable Leg Levelers
- Cord and plug (Self-Contained only)
- Continuous line-ups are available for remote applications
- Insulated with high-density foam

Refrigeration

- On-Demand PTC condensate evaporator provided for a totally self-contained system standard on models LPRSS3 and LPRSS4.
- Condensate pump is standard on the LPRSS5 and LPRSS6 and remote cases.
- Electronic temperature controls maintain 38°-40°F.
- Easy clean, rustproof insulated evaporator coil compartment
- Front air intake / rear air discharge
- R290 refrigerant
- Thermometer

Shelving

- Two tiers adjustable metal shelves

Lighting

- 3500K LED top light and shelf light
- DLC Certified, IP66 rated

Agency Approvals

- UL and UL Sanitation listed
- DOE 2017 Compliant

OPTIONAL ACCESSORIES

- Special Base Finish
- Casters: Recessed or Exposed
- Legs
- Remote Refrigeration (EEV Included) (Includes Condensate Pump)
- Solid Rear Sliding Access Doors
- Two-Tier Display Step in Lieu of Shelving
- Glass or Stainless Shelving in Lieu of Black Metal
- Flush End Panels for Counter Installations
- Joining Kit for Continuous Line-ups
- Reflective End Glass
- Stainless Steel Interior, including shelves
- Security Night Cover
- Front Non-Refrigerated Display Merchandiser
- Front Air Intake and Discharge
- Rear Air Intake and Discharge
- Condensate Pump (optional for LPRSS3 & LPRSS4 Only)
- Condensate Evaporator Assembly (Field install, dedicated 120V, 15A Circuit Required) (optional for LPRSS5, LPRSS6 & remote cases only)



WARRANTY*
One year Parts and Labor
2nd thru 5th year part
only service compressor
(U.S.A and Canada)



Note: Information is subject to change at any time.
Visit www.federalind.com for the most current specs.

AIA#

REFRIGERATED SELF-SERVE LOW PROFILE SPECIALTY MERCHANDISER

SIS#

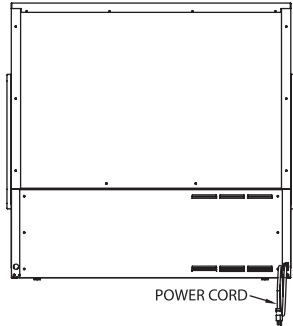
Product Specifications

Intended Environment: Type I - Designed to operate in maximum ambient conditions of 75°F (24°C) and 55% relative humidity unless noted otherwise in system information below.

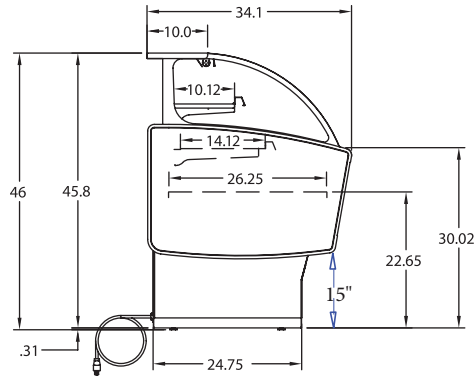
Zone	Intended Product To Be Displayed	Avg Prod Temp °F/°C
All	Packaged Refrigerated Products	38°F / (3.3°C)

DIMENSION: xx"/(mm)

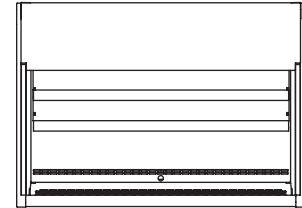
DIMENSION TOLERANCE +/- 0.25 (6.4)



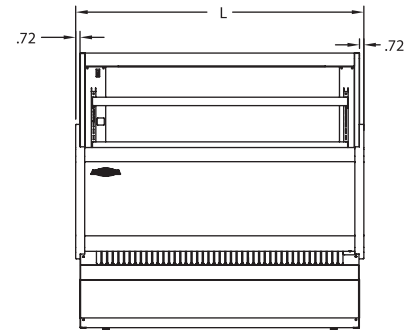
REAR VIEW



END VIEW



PLAN VIEW



FRONT VIEW

MODEL	DIMENSIONS				SHIPPING WHT		SELF CONTAINED Permanently Connected			OPTIONAL NEMA PLUG	SHELF AREA	*REMOTE	
	L	D	H	UNITS	LBS	KILO	VOLTAGE	AMPS	H.P.	CONFIG (SC)		VOLTAGE	AMPS
LPRSS3	36	34	46	in.	457	207	120/60/1	16 AMPS	1/3 HP	NEMA 5-20P	11	120/60/1	2 AMPS
	914	864	1168	mm.									
LPRSS4	48	34	46	in.	560	254	120/60/1	16 AMPS	1/3 HP	NEMA 5-20P	15	120/60/1	2 AMPS
	1219	864	1168	mm.									
LPRSS5	60	34	46	in.	650	295	208-240/60/1	9 AMPS	1/2 HP	NEMA 6-15P	19	120/60/1	3 AMPS
	1524	864	1168	mm.									
LPRSS6	72	34	46	in.	750	340	208-240/60/1	10 AMPS	3/4 HP	NEMA 6-15P	24	120/60/1	3 AMPS
	1829	864	1168	mm.									

- If a GFCI circuit is required, a GFCI Breaker Must be used instead of a GFCI recepticle.
- Case temperature will vary if the air curtain is disrupted.
- The rear of the unit needs to be 6" from wall.
- Refrigerated cases are designed to operate in a maximum of 75°F (24°C) ambient and 55% relative humidity.
- Due to continuing engineering improvements, specifications are subject to change without notice.



The Signature of Quality®

FEDERAL INDUSTRIES

A Standex Company

215 Federal Avenue, Belleville, Wisconsin 53508-9201

Phone: 800-356-4206

Fax: 608-424-3234

Email: Geninfo@Federalind.com

Website: Federalind.com