



The Signature of Quality®

FEDERAL INDUSTRIES

A Standex Company
215 Federal Avenue
Belleville, WI 53508-9201

Phone: 800-356-4206
Fax: 608-424-3234
Email: geninfo@federalind.com
Website: www.federalind.com

Project Name: _____

Item #: _____

Model #: _____ Qty: _____

Approval: _____

AIA#

SIS#

CONVERTIBLE SERVICE OVER REFRIGERATED SELF-SERVE SPECIALTY MERCHANDISER

Display a variety of products and serve more customers with pre-presentation and value in mind.



Model SSRC5052 Shown

MODEL	DIMENSIONS (Includes End Panels)
<input type="checkbox"/> SSRC2452	24 x 34 x 52 (in) 610 x 864 x 1321 (mm)
<input type="checkbox"/> SSRC3652	36 x 34 x 52 (in) 914 x 864 x 1321 (mm)
<input type="checkbox"/> SSRC5052	50 x 34 x 52 (in) 1270 x 864 x 1321 (mm)
<input type="checkbox"/> SSRC5952	59 x 34 x 52 (in) 1499 x 864 x 1321 (mm)
<input type="checkbox"/> SSRC7752	77 x 34 x 52 (in) 1956 x 864 x 1321 (mm)

STANDARD FEATURES

Model Features: Self-Serve Bottom Display

- Steel base construction with black exterior
- Black interior, glass end panels
- Two-tier black display step
- Easily accessible light switch and adjustable power switch located at case rear
- Rear access to refrigeration system for quick and easy service
- Adjustable leg levelers

Model Features: Service Top Display

- Divided merchandising area (24" and 36" models have one display area only)
- Clear glass rear sliding doors (24" model has hinged door)
- Tempered lift-up thermopane front glass

Refrigeration

- Condensate evaporator provided for a totally self-contained system
- Electronic temperature controls maintain 38°-40° F case temperature.
- Easy clean, rustproof insulated evaporator coil compartment
- Insulated with high-density urethane foam
- Starting January 1, 2025, R449a refrigerant will be replaced by R290
- Thermometer
- Baffle system converts display from non-refrigerated to refrigerated (Service Top Display)

Shelving

- Adjustable black wire shelf

Lighting

- 3500K LED top and shelf light
- DLC Certified, IP66 rated

Agency Approvals

- UL and UL Sanitation listed
- DOE 2017 Compliant

OPTIONAL ACCESSORIES

- | | |
|---|--|
| <input type="checkbox"/> Reflective End Glass | <input type="checkbox"/> Black Wire or Glass Shelf with Light in Lieu of Display Steps |
| For Self-Serve Refrigerated Base | <input type="checkbox"/> Rear Wrapping Board |
| <input type="checkbox"/> Special Finish | |
| <input type="checkbox"/> Energy Saving Night Curtain | For Service Top Display |
| <input type="checkbox"/> Security Night Cover | <input type="checkbox"/> Reflective Rear Doors |
| <input type="checkbox"/> Solid Rear Sliding Access Doors for Bottom Section | <input type="checkbox"/> Glass Shelves |
| <input type="checkbox"/> Cord & Plug | <input type="checkbox"/> Casters (Recessed or 4") or 6" Legs |
| <input type="checkbox"/> Remote Refrigeration (R449a Refrigerant, EEV Included) | |



WARRANTY*
One year Parts and Labor
2nd thru 5th year part only service compressor
(U.S.A and Canada)



Note: Information is subject to change at any time.
Visit www.federalind.com for the most current specs.

AIA# CONVERTIBLE SERVICE OVER REFRIGERATED SELF-SERVE SPECIALTY MERCHANDISER

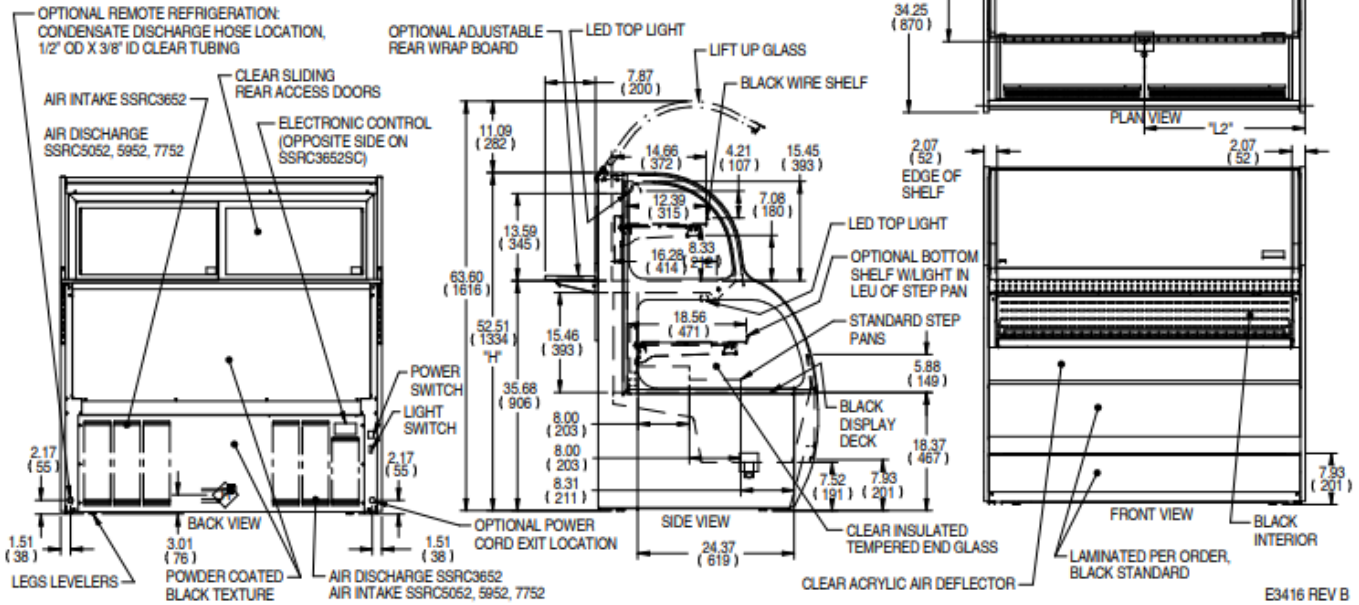
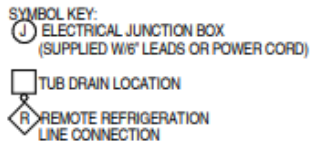
SIS# Product Specifications

Intended Environment: Type I - Designed to operate in maximum ambient conditions of 75°F (24°C) and 55% relative humidity unless noted otherwise in system information below.

Zone	Intended Product To Be Displayed	Avg Prod Temp °F/°C
All	Packaged Refrigerated Products	38°F / (3.3°C)

DIMENSION: xx"/(mm)

DIMENSION TOLERANCE +/- 0.25 (6.4)



E3416 REV B

MODEL	DIMENSION					TUB DRAIN		SHELVING			TOP INTERIOR VOLUME CU FT	BOTTOM INTERIOR VOLUME CU FT	PERMANENT CONNECT 2-WIRE + GROUND			OPTIONAL NEMA CORD & PLUG	REFRIGERANT	C.U. HP	CONDENSATE REMOVAL	SHIP WEIGHT LBS	PERMANENT CONNECT 2-WIRE + GROUND		REFRIGERANT	BTU'S @+20"	CONDENSATE REMOVAL	SHIP WEIGHT LBS	
	L	D	H	L3	L2	# OF TIERS	D	L1	ELECTRICAL	AMPS			MAX FUSE SIZE	120/60/1	MAX FUSE SIZE						CONDENSATE PUMP	KILO					KILO
	in	in	in	in	in		in	in																			
SSRC2452	24.00	34.30	52.50			5.74			12.4	19.75	3.10	5.00	120/60/1	11.3	20	NEMA 5-20	R449a	1/3 HP	CONDENSATE PAN	480 LBS	9.5	15	R449a	3,600	CONDENSATE PUMP	430 LBS	
	610	871	1334			146			315	502										218 KILO						195 KILO	
SSRC3652	36.00	34.30	52.60	20.92		5.26			12.4	31.75	5.10	8.40	120/60/1	14.3	20	NEMA 5-20	R449a	1/3 HP	CONDENSATE PAN	590 LBS	8.5	15	R449a	4,400	CONDENSATE PUMP	530 LBS	
	914	871	1336	531		134			315	806										268 KILO						240 KILO	
SSRC5052	50.00	34.30	52.60	25.60	25.00				12.4	45.75	7.10	11.80	208-230/60/1	9.5	15	NEMA 6-15	R449a	1/2 HP	CONDENSATE PAN	720 LBS	10.0	15	R449a	5,400	CONDENSATE PUMP	660 LBS	
	1270	871	1336	650	635				315	1162										327 KILO						299 KILO	
SSRC5952	59.00	34.30	52.60	26.70	29.47				12.4	54.75	8.50	14.00	208-230/60/1	14.5	20	NEMA 6-20	R449a	3/4 HP	CONDENSATE PAN	845 LBS	13.0	15	R449a	6,400	CONDENSATE PUMP	770 LBS	
	1499	871	1336	678	749				315	1391										383 KILO						349 KILO	
SSRC7752	77.00	34.30	52.60	26.70	38.47				12.4	72.75	11.20	18.30	208-230/60/1	14.5	20	NEMA 6-20	R449a	3/4 HP	CONDENSATE PAN	1010 LBS	13.0	15	R449a	7,400	CONDENSATE PUMP	935 LBS	
	1956	871	1336	678	977				315	1848										458 KILO						424 KILO	

- Refrigerated cases are designed to operate in a maximum of 75°F (24°C) ambient and 55% relative humidity.
- Due to continuing engineering improvements, specifications are subject to change without notice.
- IF GFCI is required, a GFI Breaker must be used in lieu of GFCI receptacle.



FEDERAL INDUSTRIES
 A Standex Company
 215 Federal Avenue, Belleville, Wisconsin 53508-9201

Phone: 800-356-4206
Fax: 608-424-3234
Email: Geninfo@Federalind.com
Website: Federalind.com