



*The Signature of Quality*

### FEDERAL INDUSTRIES

A Standex Company  
215 Federal Avenue  
Belleville, WI 53508-9201

Phone: 800-356-4206  
Fax: 608-424-3234  
Email: geninfo@federalind.com  
Website: www.federalind.com

Project Name: \_\_\_\_\_

Item #: \_\_\_\_\_

Model #: \_\_\_\_\_ Qty: \_\_\_\_\_

Approval: \_\_\_\_\_

AIA#

SIS#

## WALL DISPLAY NON-REFRIGERATED, SELF-SERVE BAKERY CASE

Generate increased impulse sales with maximum product exposure.



Model WDC-42 Shown

MODEL	DIMENSIONS
<input type="checkbox"/> WDC42	42 x 30 x 62 (in) 1067 x 762 x 1575 (mm)

### STANDARD FEATURES

#### Model Features

- Tempered self-closing full view front service doors.
- Glass ends and top.
- All-welded base and frame construction with a choice of six standard laminates on base and counter top. Satin finish stainless steel trim. Other color laminates optional.
- Mirrored back panel.
- Base storage area with solid sliding doors.
- Bag bin with three dividers.
- Counter top with tissue holder (5-3/4" x 6-1/2" x 2-1/2")
- Sloped front providing high visual product display.

#### Shelving

- Four adjustable white epoxy-coated slanted shelves.

#### Lighting

- Vertical LED lights ( Optional )

#### Agency Approvals

- UL and UL Sanitation listed to NSF-2

### OPTIONAL ACCESSORIES

- Special Base Finish
- Vertical LED lights ( includes NEMA 5-15P cord )
- Mirrored Ends Rear
- Sliding Doors
- Casters



#### WARRANTY\*

One year Parts and Labor  
2nd thru 5th year part  
only service compressor  
(U.S.A and Canada)

Note: Information is subject to change at any time.  
Visit [www.federalind.com](http://www.federalind.com) for the most current specs.

Revised 02/10/2020

AIA#

# WALL DISPLAY NON-REFRIGERATED, SELF-SERVE BAKERY CASE

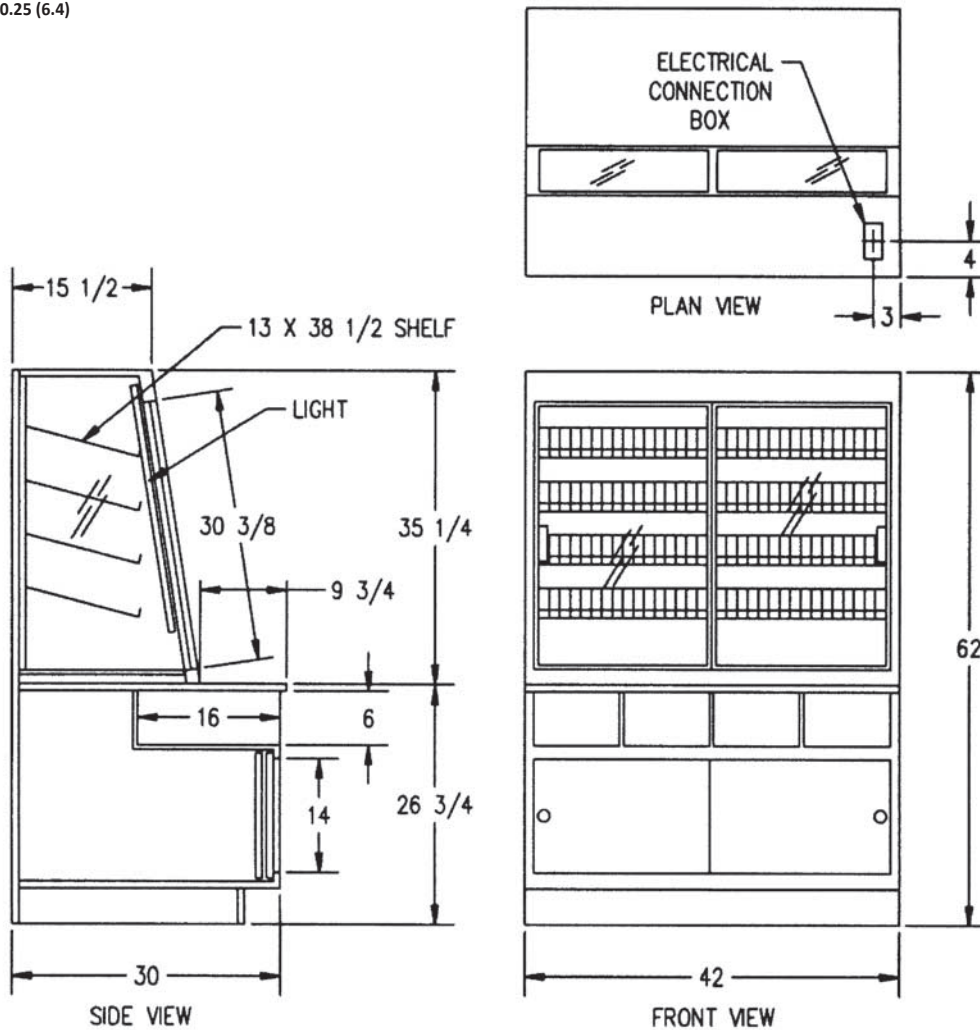
SIS#

## Product Specifications

Zone	Intended product to be displayed
All	Non-Refrigerated Package Products

DIMENSION: xx"/(mm)

DIMENSION TOLERANCE +/- 0.25 (6.4)



MODEL	DIMENSIONS				SHIPPING WHT		CAPACITY (BAKERY PANS)
	L	D	H1	UNITS	LBS	KILO	
WCD42	42	30	62	in.	615	279	10 (12" X 18")
	1067	762	1575	mm.			

- If a GFCI circuit is required, a GFCI Breaker Must be used instead of a GFCI receptacle.
- Electrical requirements for optional lights - 120/60/1 - 2 AMPS.
- Due to continuing engineering improvements, specifications are subject to change without notice.



The Signature of Quality®

**FEDERAL INDUSTRIES**

A Standex Company

215 Federal Avenue Belleville, Wisconsin 53508-9201

Phone: 800-356-4206

Fax: 608-424-3234

Email: Geninfo@Federalind.com

Website: Federalind.com