



The Signature of Quality

FEDERAL INDUSTRIES

A Standex Company
215 Federal Avenue
Belleville, WI 53508-9201

Phone: 800-356-4206
Fax: 608-424-3234
Email: geninfo@federalind.com
Website: www.federalind.com

Project Name: _____

Item #: _____

Model #: _____ Qty: _____

Approval: _____

AIA#

SIS#

WALL DISPLAY NON-REFRIGERATED, SELF-SERVE FULL PAN BAKERY CASE

Fresh solutions to your bakery merchandising needs.



Model WDC42 Shown

MODEL	DIMENSIONS
<input type="checkbox"/> WDC4276SS	42 x 29.75 x 76 (in) 1067 x 756 x 1930 (mm)

STANDARD FEATURES

Model Features

- Tempered self-closing full view front service doors.
- Glass ends.
- All metal base and frame construction. Special colors optional.
- White interior back panel.
- Base storage area with doors.
- Bag bin with two dividers.
- Two tissue holders.
- Cord and plug. (NEMA 5-15P)

Shelving

- Four adjustable white epoxy-coated wire shelves.

Lighting

- LED top light. Shelf lights optional.

Agency Approvals

- UL listed.

OPTIONAL ACCESSORIES

- Special Painted Finish
- Mirrored Ends
- Light Below Shelves
- LED Shelf Lights



WARRANTY*
One year Parts and Labor
2nd thru 5th year part
only service compressor
(U.S.A and Canada)

Note: Information is subject to change at any time.
Visit www.federalind.com for the most current specs.

Revised 02/18/2020

AIA#

WALL DISPLAY NON-REFRIGERATED, SELF-SERVE FULL PAN BAKERY CASE

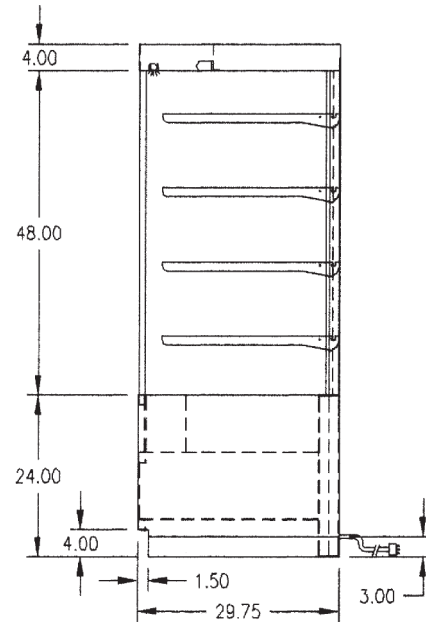
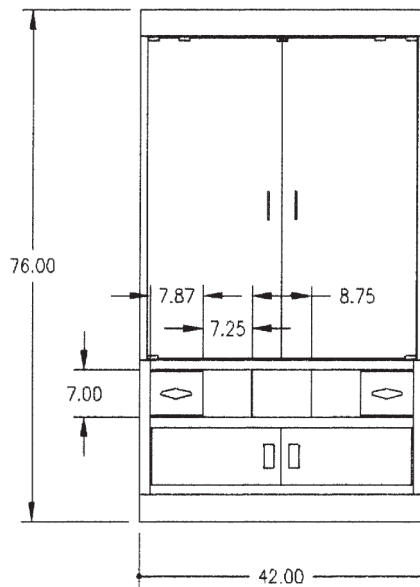
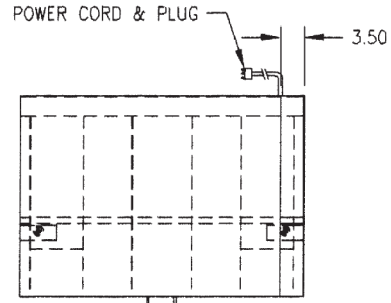
SIS#

Product Specifications

Zone	Intended Product To Be Displayed	
	Non-Refrigerated Package Products	

DIMENSION: xx"/(mm)

DIMENSION TOLERANCE +/- 0.25 (6.4)



MODEL	DIMENSIONS				SHIPPING WHT		CAPACITY (BAKERY PANS)
	L	D	H1	UNITS	LBS	KILO	
WDC4276SS	42	29.75	76	in.	660	300	10 (18" X 26")
	1067	756	1930	mm.			

- If a GFCI circuit is required, a GFCI Breaker Must be used instead of a GFCI receptacle.
- Electrical requirements for optional lights - 120/60/1 - 2 AMPS.
- Due to continuing engineering improvements, specifications are subject to change without notice.



The Signature of Quality®

FEDERAL INDUSTRIES

A Standex Company

215 Federal Avenue Belleville, Wisconsin 53508-9201

Phone: 800-356-4206

Fax: 608-424-3234

Email: Geninfo@Federalind.com

Website: Federalind.com