



The Signature of Quality®

FEDERAL INDUSTRIES

A Standex Company
215 Federal Avenue
Belleville, WI 53508-9201

Phone: 800-356-4206
Fax: 608-424-3234
Email: geninfo@federalind.com
Website: www.federalind.com

Project Name: _____

Item #: _____

Model #: _____ Qty: _____

Approval: _____

AIA#

SIS#

UNDER COUNTER SL - Curved Ends, Refrigerated, Self-Serve Display Case

Incorporate into your own counter to drive product sales. The under-counter merchandiser will entice customers with last minute impulse sales through visual appeal.



Shown with optional accessories

MODEL	DIMENSIONS (Includes End Panels)
<input type="checkbox"/> UCRSL3633C	35.7 x 24 x 32.5 (in) 907 x 610 x 826 (mm)
<input type="checkbox"/> UCRSL4833C	47.7 x 24 x 32.5 (in) 1212 x 610 x 826 (mm)
<input type="checkbox"/> UCRSL6033C	59.7 x 24 x 32.5 (in) 1516 x 610 x 826 (mm)
<input type="checkbox"/> UCRSL7233C	71.7 x 24 x 32.5 (in) 1821 x 610 x 826(mm)

STANDARD FEATURES

Model Features

- Black interior
- Curved glass ends
- Black top
- Black 1 step riser
- Black powder coated steel base
- Black exterior. Other finishes optional
- Light and power switch on back of case
- Front access to refrigeration system for quick and easy service
- Cord & plug
- Recessed casters with adjustable leg levelers

Refrigeration

- On-Demand PTC condensate evaporator provided for a totally self-contained system
- Electronic temperature controls maintain 38°-40°F
- Easy clean, rustproof insulated evaporator coil compartment
- Rear condensing unit air intake & discharge
- Starting January 1, 2025, R513a refrigerant will be replaced by R290
- Thermometer

Lighting

- 3500 LED top light

Agency Approvals

- UL, C-UL and UL Sanitation listed to NSF-7, Type II conditions
- DOE 2017 compliant

OPTIONAL ACCESSORIES

- White or stainless interior (Including step riser or shelf)
- Glass, stainless steel, white or black solid shelf w/ LED light
- Special exterior finish
- Reflective end glass panels
- Energy saving night curtain
- Security night cover
- Condensate pump
- 6" Legs
- 4" Casters
- Rear air intake front discharge



WARRANTY*
One year Parts and Labor
2nd thru 5th year part
only service compressor
(U.S.A and Canada)



Note: Information is subject to change at any time.
Visit www.federalind.com for the most current specs.

AIA#

UNDER COUNTER SL - Curved Ends, Refrigerated, Self-Serve Display Case

SIS#

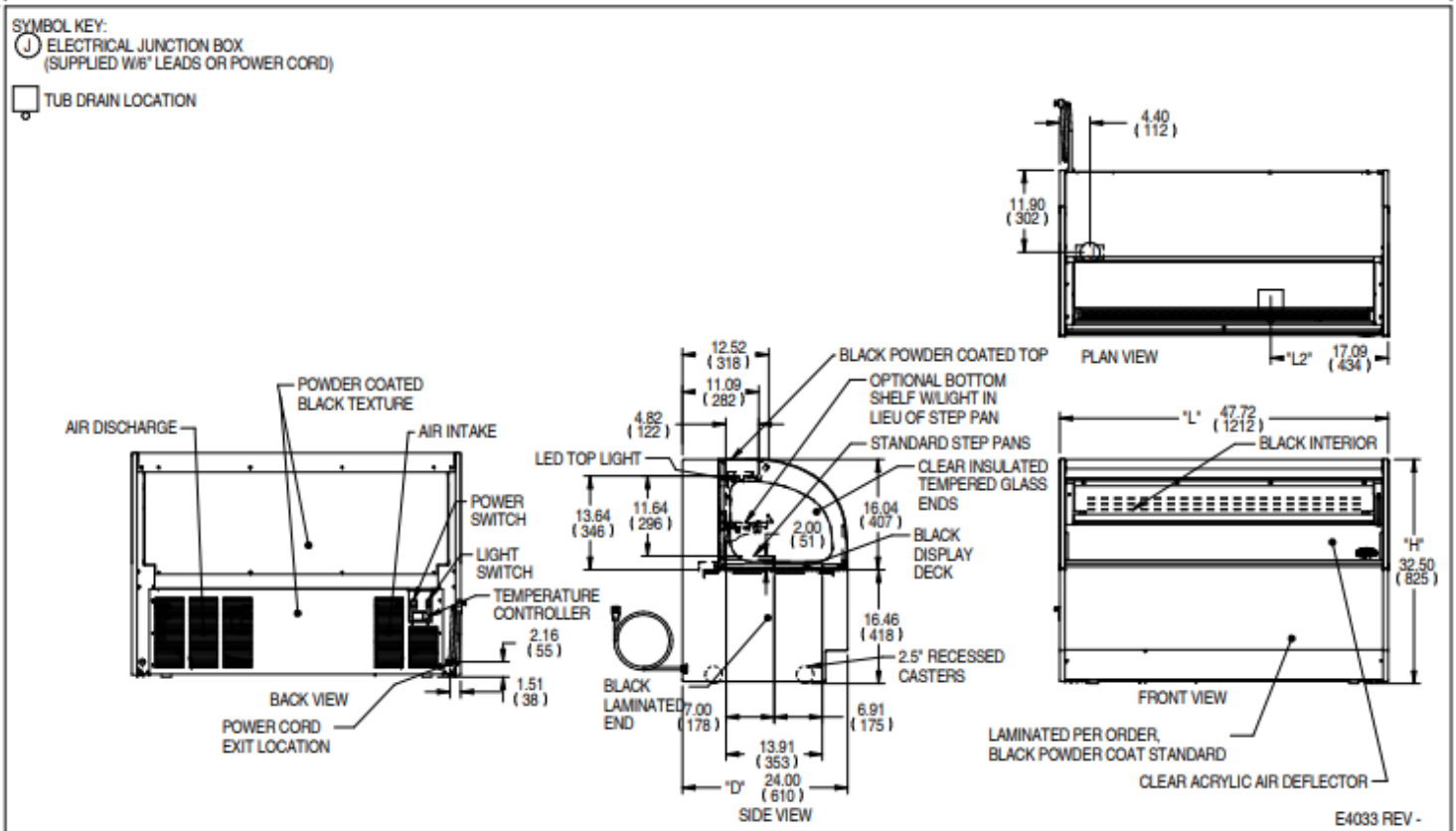
Product Specifications

Intended Environment: Type II- Designed to operate in maximum ambient conditions of 80°F (24°C) and 55% relative humidity.

Zone	Intended Product To Be Displayed	Avg Prod Temp °F/°C
All	Packaged Refrigerated Products	38°F / (3.3°C)

DIMENSION: xx"/(mm)

DIMENSION TOLERANCE +/- 0.25 (6.4)



MODEL	DIMENSION			TUB DRAIN L2 in	STEP RISER			INTERIOR VOLUME CU FT	PERMANENT CONNECT 2-WIRE + GROUND			NEMA CORD & PLUG 2-WIRE + GROUND	REFRIGERANT	C.U. HP	CONDENSATE REMOVAL
	L	D	H		# OF STEPS	D	L		ELECTRICAL	AMPS	MAX FUSE SIZE				
	in	in	in			in	in								
UCRSL3633C	35.7	24.0	32.5	4.34	1	8.00	33.6	2.72	120/60/1	12.3	20	5-20	R513a	1/2	CONDENSATE PAN
	907	610	826	110		203	853								
UCRSL4833C	47.7	24.0	32.5	17.01	1	8.00	45.6	3.67	120/60/1	12.5	20	5-20	R513a	1/2	CONDENSATE PAN
	1212	610	826	432		203	1158								
UCRSL6033C	59.7	24.0	32.5	26.01	1	8.00	57.6	4.62	120/60/1	13.0	20	5-20	R513a	3/4	CONDENSATE PAN
	1516	610	826	661		203	1463								
UCRSL7233C	71.7	24.0	32.5	32.01	1	8.00	69.6	5.58	120/60/1	13.5	20	5-20	R513a	3/4	CONDENSATE PAN
	1821	610	826	813		203	1768								

- Case temperature will vary if the air curtain is disrupted.
- Due to continuing engineering improvements, specifications are subject to change without notice.



The Signature of Quality

FEDERAL INDUSTRIES

A Standex Company

215 Federal Avenue Belleville, Wisconsin 53508-9201

Phone: 800-356-4206

Fax: 608-424-3234

Email: Geninfo@Federalind.com

Website: Federalind.com