



The Signature of Quality

FEDERAL INDUSTRIES

A Standex Company

215 Federal Avenue
Belleville, Wisconsin 53508-9201

Phone: 800-356-4206

Fax: 608-424-3234

Email: Geninfo@Federalind.com

Website: Federalind.com

Project Name: _____

Item #: _____

Model #: _____ Qty: _____

Approval: _____

AIA #

SIS #

VISION SERIES - FLEX™ - 3-in-1 Multifunctional Slide-In Merchandiser

Expand your menu, not your footprint. This 3-in-1 multifunctional merchandiser flexes between heated, refrigerated, or ambient display in one unit. Adjustable height (32"-38") with locking casters.



Model VFSS4860S-SLD shown

MODEL	DIMENSIONS (Includes End Panels)
<input type="checkbox"/> VFSS3660S-SLD	36.25 x 33 x 69.62 (in) 921 x 838 x 1768 (mm)
<input type="checkbox"/> VFSS4860S-SLD	47.25 x 33 x 69.2 (in) 1200 x 838 x 1768 (mm)

STANDARD FEATURES

Model Features

- Stainless steel interior including shelves
- Removable heated stainless steel display deck
- Tempered glass upper square ends
- Black powder coated base frame
- Black trim
- Cord & 90 degree plug
- Rear air intake / rear discharge
- Energy saving night curtain
- Adjustable legs and adjustable casters with locks (32" to 38" counter height)

Refrigeration

- R290 Refrigerant
- Electronic temperature control maintains 38° - 40°F (3.3° - 4.4°C) *Note: Case temperatures will vary if the air curtain is disrupted.*
- On-demand PTC condensate evaporator provided for totally self-contained system
- Digital thermometer
- Clear Coil™ on demand defrost
- Condensate Pan
- Coated evaporator coil

Heating System

- Independently controlled heated shelves and deck
- Holds up to an average temperature of 160°F (71°C)

Shelving

- Three tiers of adjustable stainless steel shelves with price tag molding.
- Shelves can be flat or tilted down at 10°

Lighting

- 3500K LED top light

Agency Approvals

- UL, C-UL, and UL Sanitation listed to NSF-7, Type I conditions
- DOE 2017 compliant

OPTIONAL ACCESSORIES

- 3500K LED lights below shelves
- Stainless steel exterior finish
- Premium exterior laminate
- Graphics package
- Solid upper end panels (mirrored interior)
- Reflective end glass
- Clear or reflective sliding rear doors (Solid swinging doors on 36" cases)
- Roll-down locking security cover (black, white, or gray)
- Black polycarbonate removable locking security cover
- Wire shelf and deck racks
- White or stainless steel trim
- Front air intake and discharge
- High output condensate pan
- Condensate drain
- Condensate pump in lieu of pan

*Additional options available on the website and price list



WARRANTY*
One year Parts and Labor
2nd thru 5th year part only
service compressor
(U.S.A. and Canada)

Note: Information is subject to change at any time. Visit www.federalind.com for the most current specs.

AIA #	VISION SERIES FLEX - 3-in-1 Multifunctional Slide-In Merchandiser
SIS #	Product Specifications

Intended Environment: Type I - Designed to operate in maximum ambient conditions of 75°F (24°C) and 55% relative humidity.

Zone	Intended Product To Be Displayed	Avg Prod Temp °F/°C
All	Packaged Refrigerated or Heated Merchandise	Refrigerated 38°F / (3.3°C) Heated 160°F / (71.1°C)

DIMENSION: xx"/(mm)

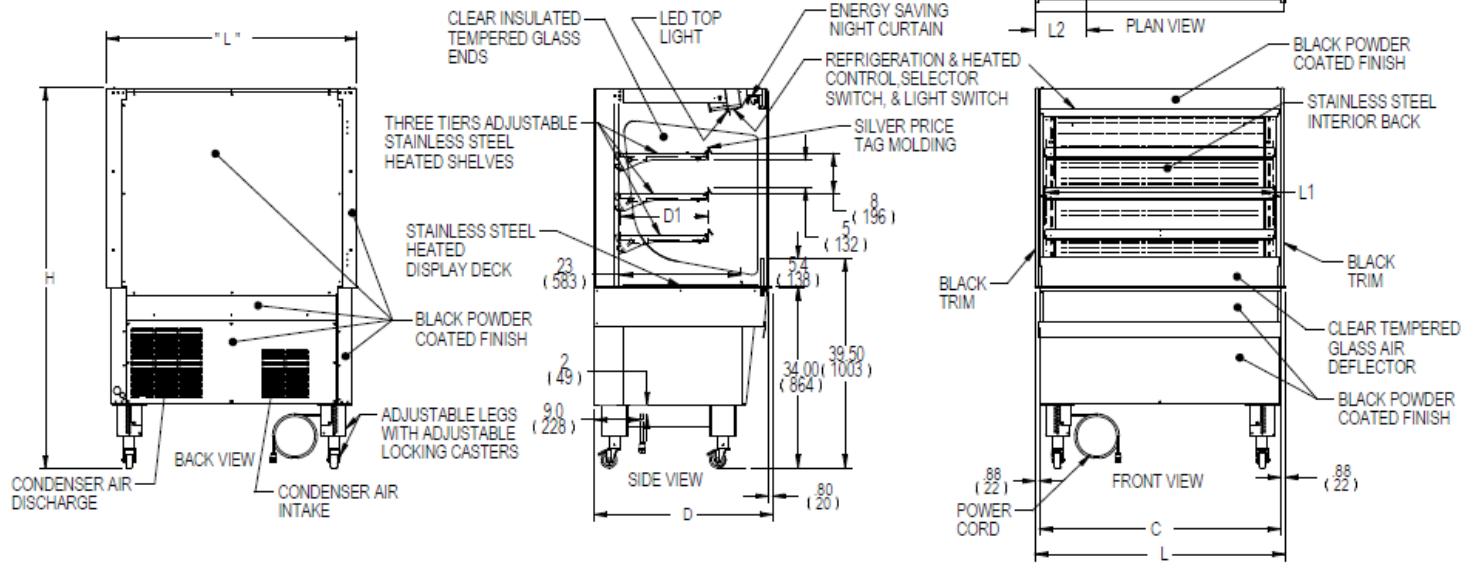
DIMENSION TOLERANCE +/- 0.25 (6.4)

SYMBOL KEY:
 ELECTRICAL JUNCTION BOX (SUPPLIED W/POWER CORD)

TUB DRAIN LOCATION

NOTE:
 1" CLEARANCE REQUIRED ON BACK OF BASE

 BASE LEGS ARE ADJUSTABLE IN 1/2" INCREMENTS AND CASTERS ARE ADJUSTABLE UP TO 1" FOR FINE TUNE ADJUSTMENTS. LEGS AND CASTERS MAKE UNIT ADJUSTABLE FROM 32" TO 38" COUNTER HEIGHTS. DIMENSIONS SHOWN ARE FOR A 34" COUNTER HEIGHT



E4064-3 REV 0

MODEL	DIMENSIONS						TUB DRAIN		SHELVING		INTERIOR VOLUME CU FT	R290 REFRIGERATION SELF CONTAINED					SHIP WEIGHT	
	L	D	H MIN	H MAX	C	CUTOUT L	L2	# OF TIERS	L1	D1		ELECTRICAL 2 WIRE + GROUND	STANDARD CONNECTION CORD & PLUG					CONDENSATE REMOVAL
	in	in	in	in	in	in	in		in	in			REFR AMPS	HEATED AMPS	MAX FUSE SIZE	NEMA CORD & PLUG		
VFSS3660S-SLD	36.25	33	69.62	75.62	34.5	35.25	6.74	3	32.25	16.6	13.98	208-240/60/1	10.3	11.7	20	NEMA 6-20P	INTEGRATED PAN	500
	921	838	1768	1921	876	895	171		819	422								227
VFSS4860S-SLD	47.25	33	69.62	75.62	45.5	46.25	13.49	3	43.25	16.6	18.48	208-240/60/1	11.0	16.3	20	NEMA 6-20P	INTEGRATED PAN	590
	1200	838	1768	1921	1156	1175	343		1099	422								268

- Due to continuing engineering improvements, specifications are subject to change without notice.
- Case temperature will vary if the air curtain is disrupted.



FEDERAL INDUSTRIES
 A Standex Company
 215 Federal Avenue Belleville, Wisconsin 53508-9201

Phone: 800-356-4206
Fax: 608-424-3234
Email: Geninfo@Federalind.com
Website: Federalind.com