



The Signature of Quality

FEDERAL INDUSTRIES

A Standex Company

215 Federal Avenue
Belleville, Wisconsin 53508-9201

Phone: 800-356-4206

Fax: 608-424-3234

Email: Geninfo@Federalind.com

Website: Federalind.com

Project Name: _____

Item #: _____

Model #: _____ Qty: _____

Approval: _____

AIA #

SIS #

VISION SERIES FLEX - 3-in-1 Multifunctional Merchandiser - 78" Curved Ends

Maximize limited space and expand your menu offering with the ability to "flex" between heated, refrigerated, or ambient food and beverages using a single 78"H 3-in-1 grab-and-go multifunctional merchandiser.



Model VFSS3678S shown

MODEL	DIMENSIONS (Includes End Panels)
<input type="checkbox"/> VFSS3678C	36 x 33 x 78 (in) 914 x 838 x 1981 (mm)
<input type="checkbox"/> VFSS4878C	47.25 x 33 x 78 (in) 1200 x 838 x 1981 (mm)

STANDARD FEATURES

Model Features

- Stainless steel interior including shelves
- Removable heated stainless steel display deck
- Tempered glass curved ends
- Black powder coated base frame
- Moisture resistant lower end panel construction
- Choice of standard colors on lower ends and lower front panel
- Black trim
- Adjustable leg levelers
- Cord & 90 degree plug
- Front air intake / front discharge
- Energy saving night curtain

Refrigeration

- R290 Refrigerant
- Electronic temperature control maintains 38° - 40°F (3.3° - 4.4°C) *Note: Case temperatures will vary if the air curtain is disrupted.*
- On-demand PTC condensate evaporator provided for totally self-contained system
- Digital thermometer
- Clear Coil™ on demand defrost
- # h
- Coated evaporator coil

Heating System

- Independently controlled heated shelves and deck
- Holds up to an average temperature of 160°F (71°C)

Shelving

- Four tiers of adjustable stainless steel shelves with price tag molding.
- Shelves can be flat or slanted down at 10°

Lighting

- 3500K LED top light

Agency Approvals

- UL, C-UL, and UL Sanitation listed to NSF-7, Type I conditions
- DOE 2017 compliant

OPTIONAL ACCESSORIES

- | | |
|---|---|
| <input type="checkbox"/> 3500K LED lights below shelves | <input type="checkbox"/> Front wire display basket |
| <input type="checkbox"/> Stainless steel exterior finish | <input type="checkbox"/> Cart bumper, front only |
| <input type="checkbox"/> Premium exterior laminate | <input type="checkbox"/> Cart bumper 3-sides |
| <input type="checkbox"/> Graphics package | <input type="checkbox"/> Roll-down locking security cover (black, white, or gray) |
| <input type="checkbox"/> Solid end panels (mirrored interior) | <input type="checkbox"/> Black polycarbonate removable locking security cover |
| <input type="checkbox"/> Reflective end glass | <input type="checkbox"/> Wire shelf and deck racks |
| <input type="checkbox"/> Clear or reflective sliding rear doors (Solid swinging doors on 36" cases) | <input type="checkbox"/> White or stainless steel trim |
| <input type="checkbox"/> 2 1/2" Casters | <input type="checkbox"/> Rear air intake and discharge |
| <input type="checkbox"/> 2 1/2" Recessed casters | <input type="checkbox"/> High output condensate pan |
| <input type="checkbox"/> 2 1/2" Casters with skirt | <input type="checkbox"/> Condensate drain |
| <input type="checkbox"/> 4" Casters | <input type="checkbox"/> Condensate pump in lieu of pan |
| <input type="checkbox"/> 4" Casters with skirt | |
| <input type="checkbox"/> 6" Legs | |
| <input type="checkbox"/> 6" Legs with skirt | |
| <input type="checkbox"/> 6" Seismic legs | |

*Additional options available on the website and price list



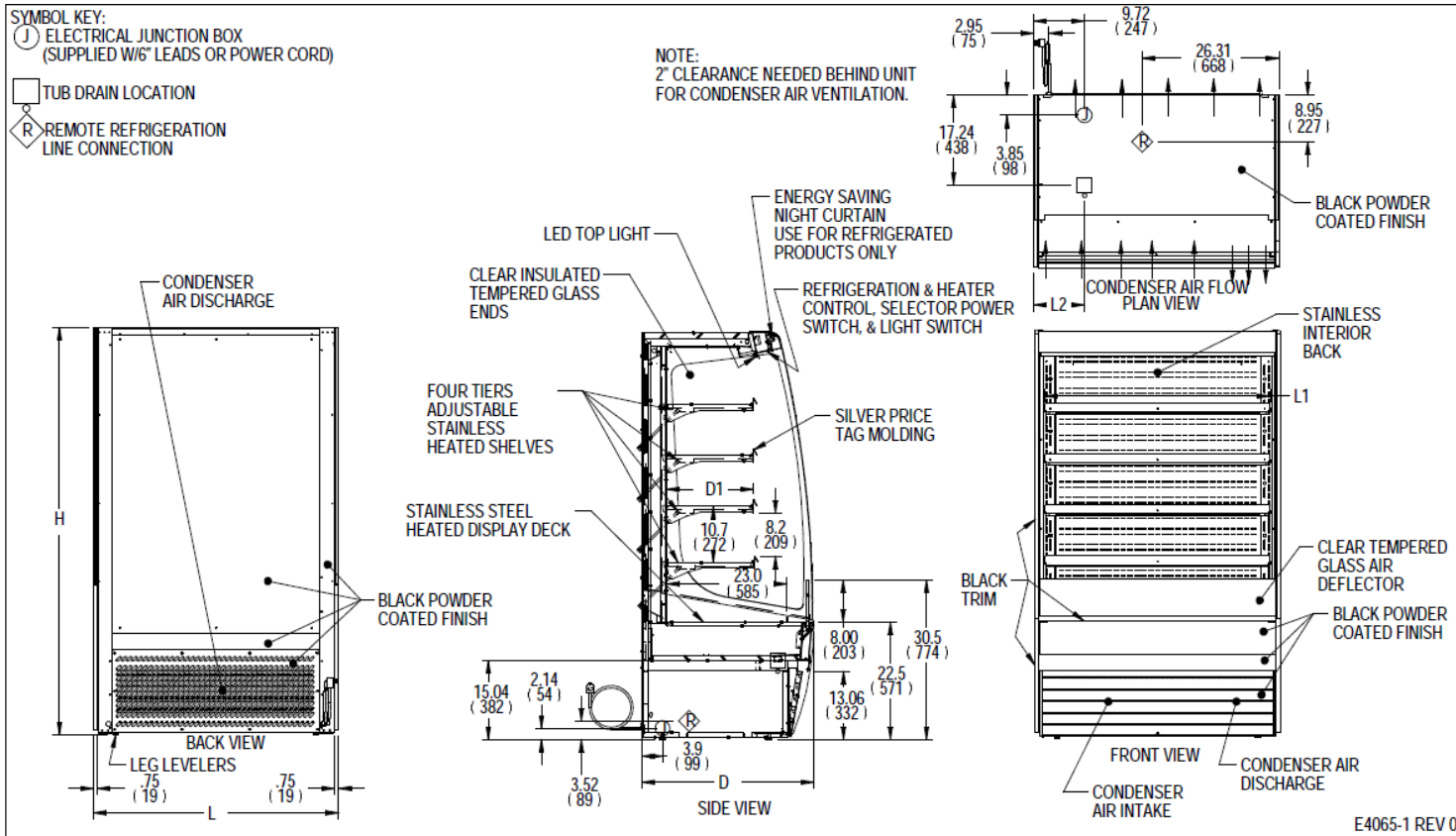
WARRANTY*
One year Parts and Labor
2nd thru 5th year part only
service compressor
(U.S.A. and Canada)

Note: Information is subject to change at any time. Visit www.federalind.com for the most current specs.

AIA #	VISION SERIES FLEX - 3-in-1 Multifunctional Merchandiser - 78" Curved Ends
SIS #	Product Specifications

Intended Environment: Type I - Designed to operate in maximum ambient conditions of 75°F (24°C) and 55% relative humidity.		
Zone	Intended Product To Be Displayed	Avg Prod Temp °F/°C
All	Packaged Refrigerated or Heated Merchandise	Refrigerated 38°F / (3.3°C) Heated 160°F / (71.1°C)

DIMENSION: xx"/(mm)
DIMENSION TOLERANCE +/- 0.25 (6.4)



MODEL	SELF CONTAINED R290 REFRIGERATION														
	DIMENSIONS			TUB DRAIN	SHELVING		INTERIOR VOLUME CU FT	ELECTRICAL	STANDARD CONNECTION CORD & PLUG				CONDENSATE REMOVAL	SHIP WEIGHT	
	L	D	H	L2	# OF TIERS	L1			D1	2 WIRE + GROUND	REFR. AMPS	HEATED AMPS			MAX FUSE SIZE
	in	in	in	in		in	in						LBS		
mm	mm	mm	mm		mm	mm						KILO			
VFSS3678C	36	33	78	6.74	4	32.25	16.6	19.47	208-240/60/1	10.0	11.1	20	NEMA 6-20P	INTEGRATED PAN	500
	914	838	1981	171		819	422								227
VFSS4878C	47.25	33	78	13.49	4	43.25	16.6	25.74	208-240/60/1	11.0	15.4	20	NEMA 6-30P	INTEGRATED PAN	590
	1200	838	1981	343		1099	422								268

- Due to continuing engineering improvements, specifications are subject to change without notice.
- Case temperature will vary if the air curtain is disrupted.



FEDERAL INDUSTRIES
 A Standex Company
 215 Federal Avenue Belleville, Wisconsin 53508-9201

Phone: 800-356-4206
Fax: 608-424-3234
Email: Geninfo@Federalind.com
Website: Federalind.com