



The Signature of Quality

FEDERAL INDUSTRIES

A Standex Company

215 Federal Avenue  
Belleville, Wisconsin 53508-9201

Phone: 800-356-4206

Fax: 608-424-3234

Email: Geninfo@Federalind.com

Website: Federalind.com

Project Name: \_\_\_\_\_

Item #: \_\_\_\_\_

Model #: \_\_\_\_\_ Qty: \_\_\_\_\_

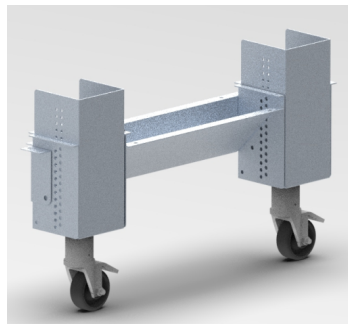
Approval: \_\_\_\_\_

AIA #

SIS #

VISION SERIES - Curved Ends Self-Serve Heated Slide-In Display Case - 60"

Designed with impulse sales in mind. Get maximum return from an attention-grabbing case and increase profits.



MODEL	DIMENSIONS (Includes End Panels)
<input type="checkbox"/> VHSS2460C-SLD	24 x 33 x 69.62 - 75.62 (in) 610 x 838 x 1768 - 1921 (mm)
<input type="checkbox"/> VHSS3660C-SLD	36 x 33 x 69.62 - 75.62 (in) 914 x 838 x 1768 - 1921 (mm)
<input type="checkbox"/> VHSS4860C-SLD	47.25 x 33 x 69.62 - 75.62 (in) 1200 x 838 x 1768 - 1921(mm)

STANDARD FEATURES

Model Features

- Stainless steel interior including shelves
- Stainless steel heated display deck
- Removable heated deck
- Black powder coated base frame
- Tempered glass ends
- Black trim
- Adjustable height casters (32" to 38" counter height) with locks
- Cord & 90 degree plug

Heating System

- Independently controlled heated shelves and deck, that are easily adjusted or replaced.
- Holds product up to an average temperature of 160°F (71°C)
- Easy rear access microprocessor digital temperature controls

Shelving

- 3 heated tiers of adjustable stainless-steel shelves with price tag molding on 1 1/8" centers
- Shelves can be flat or slanted down at 10°

Lighting

- 3500K LED top light

Agency Approvals

- UL, C-UL, and NSF4

OPTIONAL ACCESSORIES

- 3500K LED lights below shelves
- Stainless steel exterior finish
- Premium exterior laminate
- Graphics package
- Solid end panels (mirrored interior)
- Reflective end glass
- Clear or reflective sliding rear doors (solid hinged on 24" cases)

\*Additional options available on the website and price list



WARRANTY\*  
One year Parts and Labor  
2nd thru 5th year part only  
service compressor  
(U.S.A. and Canada)

Note: Information is subject  
to change at any time. Visit  
www.federalind.com for the  
most current specs.

AIA #	VISION SERIES - Curved Ends Self-Serve Heated Slide-In Display Case - 60"
SIS #	Product Specifications

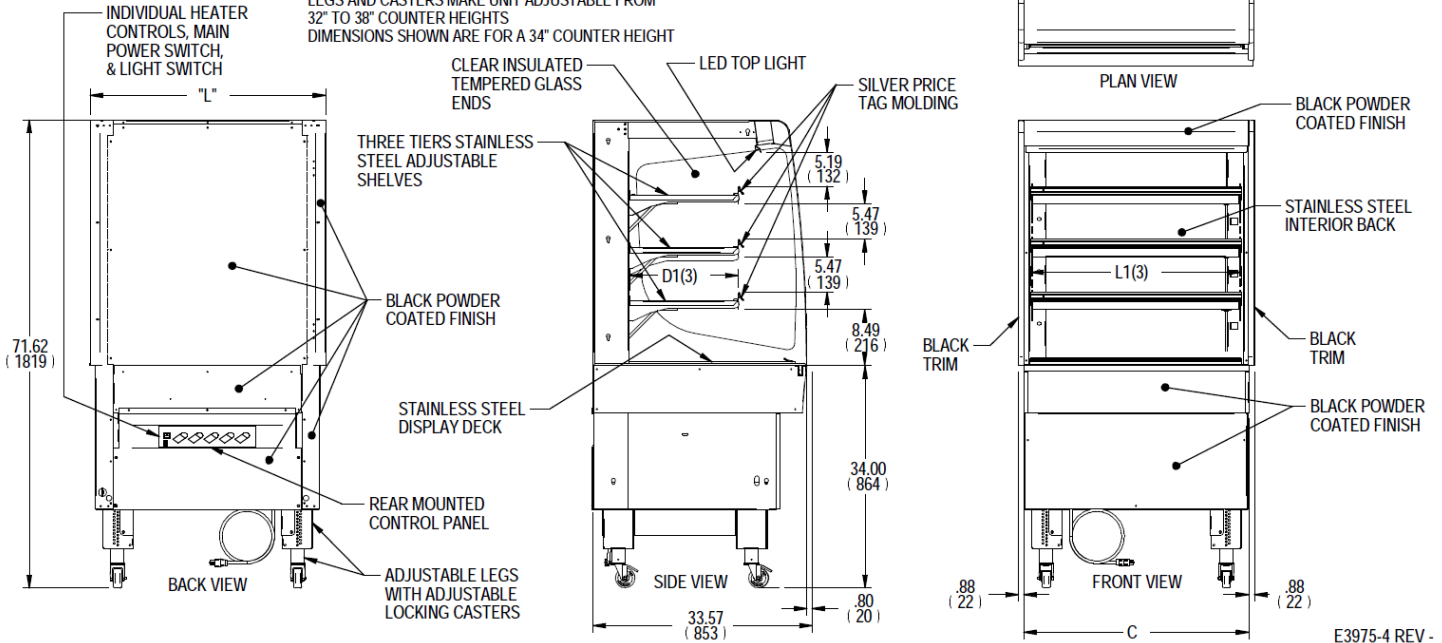
<b>Zone</b>	<b>Intended Product to be Displayed</b>	<b>Warmest Ave. Prod. Temp. °F/°C</b>
<b>All</b>	<b>Packaged Heated Merchandise</b>	<b>160°F/[71.1°C]</b>

**DIMENSION: xx"/(mm)**  
**DIMENSION TOLERANCE +/- 0.25 (6.4)**

**SYMBOL KEY:**  
 (J) ELECTRICAL JUNCTION BOX (SUPPLIED W/POWER CORD)

**NOTE:**  
 UNIT HAS REAR MOUNTED HEATER CONTROLS  
 UNIT FRONT HAS A SOLID PANEL AND  
 UNIT CAN BE ROLLED INTO A CABINET

BASE LEGS AND CASTERS  
 BASE LEGS ARE ADJUSTABLE IN 1/4" INCREMENTS  
 AND CASTERS ARE ADJUSTABLE UP TO 1" FOR  
 FINE TUNE ADJUSTMENTS.  
 LEGS AND CASTERS MAKE UNIT ADJUSTABLE FROM  
 32" TO 38" COUNTER HEIGHTS  
 DIMENSIONS SHOWN ARE FOR A 34" COUNTER HEIGHT



E3975-4 REV -

MODEL	DIMENSIONS						COUNTER CUTOUT	SHELVING			INTERIOR VOLUME CU FT	STANDARD CONNECTION CORD & PLUG			SHIP WEIGHT
	L	D	MIN	H	MAX	C		# OF TIERS	L1	D1		2 WIRE + GROUND		NEMA CORD & PLUG	
	in	in	in	in	in	in			in	in		208-240/60/1			
	mm	mm	mm	mm	mm	mm			mm	mm		AMPS	MAX FUSE SIZE		
VHSS2460C-SLD	24	33	69.62	-	75.62	22.50	23.25	3	20.25	16.61	9.07	6.0 @ 208	15	NEMA 6-15P	310
	610	838	1768	-	1921	572	591		514	422		6.9 @ 240			141
VHSS3660C-SLD	36	33	69.62	-	75.62	34.50	35.25	3	32.25	16.61	13.98	9.7 @ 208	15	NEMA 6-15P	355
	914	838	1768	-	1921	876	895		819	422		11.1 @ 240			161
VHSS4860C-SLD	47.25	33	69.62	-	75.62	45.50	46.25	3	43.25	16.61	18.48	13.4 @ 208	20	NEMA 6-20P	490
	1200	838	1768	-	1921	1156	1175		1099	422		15.4 @ 240			222

- Packaged food products placed in case must be pre-heated before placing in case
- Due to continuing engineering improvements, specifications are subject to change without notice



**FEDERAL INDUSTRIES**  
 A Standex Company  
 215 Federal Avenue Belleville, Wisconsin 53508-9201

**Phone:** 800-356-4206  
**Fax:** 608-424-3234  
**Email:** Geninfo@Federalind.com  
**Website:** Federalind.com