



The Signature of Quality®

FEDERAL INDUSTRIES

A Standex Company

215 Federal Avenue
Belleville, Wisconsin 53508-9201

Phone: 800-356-4206

Fax: 608-424-3234

Email: Geninfo@Federalind.com

Website: Federalind.com

Project Name: _____

Item #: _____

Model #: _____ Qty: _____

Approval: _____

AIA #

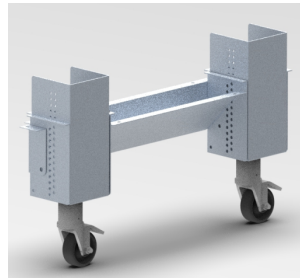
SIS #

VISION SERIES - Square Ends Self-Serve Heated Slide-In Display Case - 60"

Designed with impulse sales in mind. Get maximum return from an attention-grabbing case and increase profits.



Square model shown



| MODEL | DIMENSIONS (Includes End Panels) |
|--|--|
| <input type="checkbox"/> VHSS2460S-SLD | 24 x 33 x 60 (in) 610 x 838 x 1524 (mm) |
| <input type="checkbox"/> VHSS3660S-SLD | 36 x 33 x 60 (in) 914 x 838 x 1524 (mm) |
| <input type="checkbox"/> VHSS4860S-SLD | 47.25 x 33 x 60 (in) 1200 x 838 x 1524 (mm) |

STANDARD FEATURES

Model Features

- Stainless steel interior including shelves
- Stainless steel heated display deck
- Removable heated deck
- Black powder coated base frame
- Tempered glass ends
- Black trim
- Adjustable height casters (32" to 38" counter height) with locks
- Cord & plug

Heating System

- Independently controlled heated shelves and deck, that are easily adjusted or replaced.
- Holds product up to an average temperature of 160°F (71°C)
- Easy rear access microprocessor digital temperature controls

Shelving

- 3 heated tiers of adjustable stainless-steel shelves with price tag molding on 1 1/8" centers
- Shelves can be flat or slanted down at 10°

Lighting

- 3500K LED top light

Agency Approvals

- UL, C-UL, and NSF4

OPTIONAL ACCESSORIES

- 3500K LED lights below shelves
- Stainless steel exterior finish
- Premium exterior laminate
- Graphics package
- Solid end panels (mirrored interior)
- Reflective end glass
- Clear or reflective sliding rear doors (solid hinged on 24" cases)

*Additional options available on the website and price list



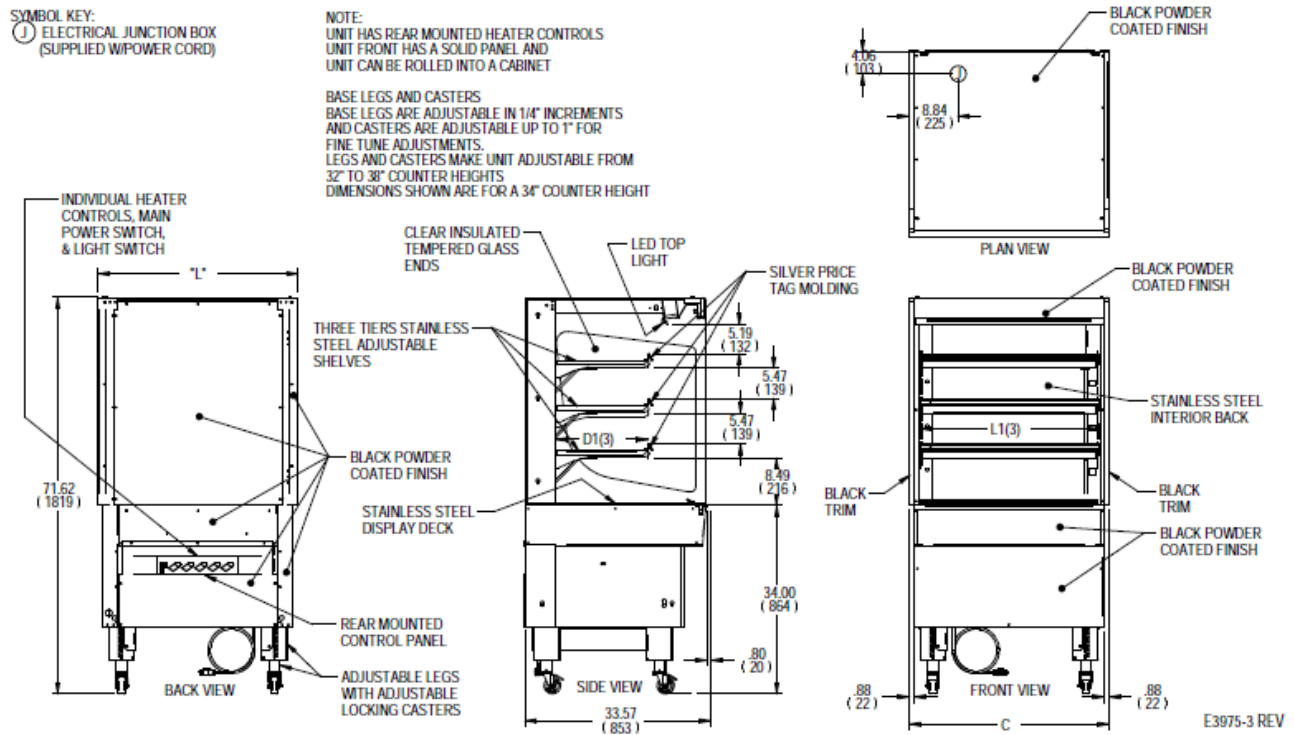
WARRANTY*
One year Parts and Labor
2nd thru 5th year part only
service compressor
(U.S.A. and Canada)

Note: Information is subject to change at any time. Visit www.federalind.com for the most current specs.

| | |
|-------|--|
| AIA # | VISION SERIES - Square Ends Self-Serve Heated Slide-In Display Case - 60" |
| SIS # | Product Specifications |

| | | |
|-------------|---|---------------------------------------|
| Zone | Intended Product to be Displayed | Warmest Ave. Prod. Temp. °F/°C |
| All | Packaged Heated Merchandise | 160°F/[71.1°C] |

DIMENSION: xx"/(mm)
 DIMENSION TOLERANCE +/- 0.25 (6.4)



| MODEL | DIMENSIONS | | | | COUNTER CUTOUT | SHELVING | | | INTERIOR VOLUME CU FT | STANDARD CONNECTION CORD & PLUG | | | SHIP WEIGHT |
|---------------|------------|-----|------|------|----------------|------------|-------|-------|-----------------------|---------------------------------|---------------|------------------|-------------|
| | L | D | H | C | | # OF TIERS | L1 | D1 | | 2 WIRE + GROUND | | NEMA CORD & PLUG | |
| | in | in | in | in | | | in | in | | AMPS | MAX FUSE SIZE | | |
| | mm | mm | mm | mm | | | mm | mm | | mm | | | |
| VHSS2460S-SLD | 24 | 33 | 60 | 22.5 | 23.25 | 3 | 32.25 | 16.61 | 9.07 | 6.0 @ 208 | 15 | NEMA 6-15P | 310 |
| | 610 | 838 | 1524 | 572 | 591 | | 819 | 422 | | 6.9 @ 240 | | | |
| VHSS3660S-SLD | 36 | 33 | 60 | 34.5 | 35.25 | 3 | 43.25 | 16.61 | 13.98 | 9.7 @ 208 | 15 | NEMA 6-15P | 355 |
| | 914 | 838 | 1524 | 876 | 895 | | 1099 | 422 | | 11.1 @ 240 | | | |
| VHSS4860S-SLD | 47.25 | 33 | 60 | 45.5 | 46.25 | 3 | 55.25 | 16.61 | 18.48 | 13.4 @ 208 | 20 | NEMA 6-20P | 490 |
| | 1200 | 838 | 1524 | 1156 | 1175 | | 1403 | 422 | | 15.4 @ 240 | | | |

- Packaged food products placed in case must be pre-heated before placing in case
- Due to continuing engineering improvements, specifications are subject to change without notice



FEDERAL INDUSTRIES
 A Standex Company
 215 Federal Avenue Belleville, Wisconsin 53508-9201

Phone: 800-356-4206
Fax: 608-424-3234
Email: Geninfo@Federalind.com
Website: Federalind.com