



The Signature of Quality®

FEDERAL INDUSTRIES

A Standex Company

215 Federal Avenue
Belleville, Wisconsin 53508-9201

Phone: 800-356-4206

Fax: 608-424-3234

Email: Geninfo@Federalind.com

Website: Federalind.com

Project Name: _____

AIA #

Item #: _____

Model #: _____ Qty: _____

SIS #

Approval: _____

Vision Series - Curved End Self-Serve Heated Case - 78"

Designed for customers looking to increase grab and go sales of hot packaged products or to complement refrigerated offering.



Model VHSS3678C
Shown with Options

| MODEL | DIMENSIONS (Includes End Panels) |
|------------------------------------|--|
| <input type="checkbox"/> VHSS2478C | 24 x 33 x 78 (in) 610 x 838 x 1981 (mm) |
| <input type="checkbox"/> VHSS3678C | 36 x 33 x 78 (in) 914 x 838 x 1981 (mm) |
| <input type="checkbox"/> VHSS4878C | 47.25 x 33 x 78 (in) 1200 x 838 x 1981 (mm) |

STANDARD FEATURES

Model Features

- Stainless steel interior including shelves
- Removable, heated stainless steel display deck
- Tempered glass ends
- Black powder coated base frame
- Moisture resistant end panel construction
- Choice of standard colors on lower millwork panel
- Black trim
- Adjustable leg levelers
- Cord & plug
- Matches profile of the VRSS & VNSS models

Heating System

- Independently controlled heated shelves and deck, that are easily adjusted or replaced.
- Holds product up to an average temperature of 160°F (71°C)
- Easy front access digital temperature controls

Shelving

- 4 Tiers of adjustable, heated, stainless steel shelves with price tag molding on 1 1/8" centers
- Shelves can be flat or slanted down at 10°

Lighting

- 3500K LED Top Light

Agency Approvals

- UL, C-UL, and UL Sanitation listed to NSF-4

OPTIONAL ACCESSORIES

- | | |
|---|---|
| <input type="checkbox"/> 3500K LED lights below shelves | <input type="checkbox"/> Front cart bumper |
| <input type="checkbox"/> Stainless steel exterior finish | <input type="checkbox"/> 6" legs (152mm) |
| <input type="checkbox"/> Premium exterior laminate | <input type="checkbox"/> Seismic legs |
| <input type="checkbox"/> Graphics package | <input type="checkbox"/> Skirt w/ 4" casters or legs |
| <input type="checkbox"/> Solid end panels (mirrored interior) | <input type="checkbox"/> 2 1/2" (63.5mm) recessed casters |
| <input type="checkbox"/> Reflective end glass | <input type="checkbox"/> 4" (101.6mm) casters |
| <input type="checkbox"/> Glass sliding rear doors (clear or reflective) (Glass swinging door on 24" cases, clear or reflective) | <input type="checkbox"/> Joining kit for continuous line-ups (not available with casters) |
| | <input type="checkbox"/> Front wire display basket |

*Additional options available on the website and price list



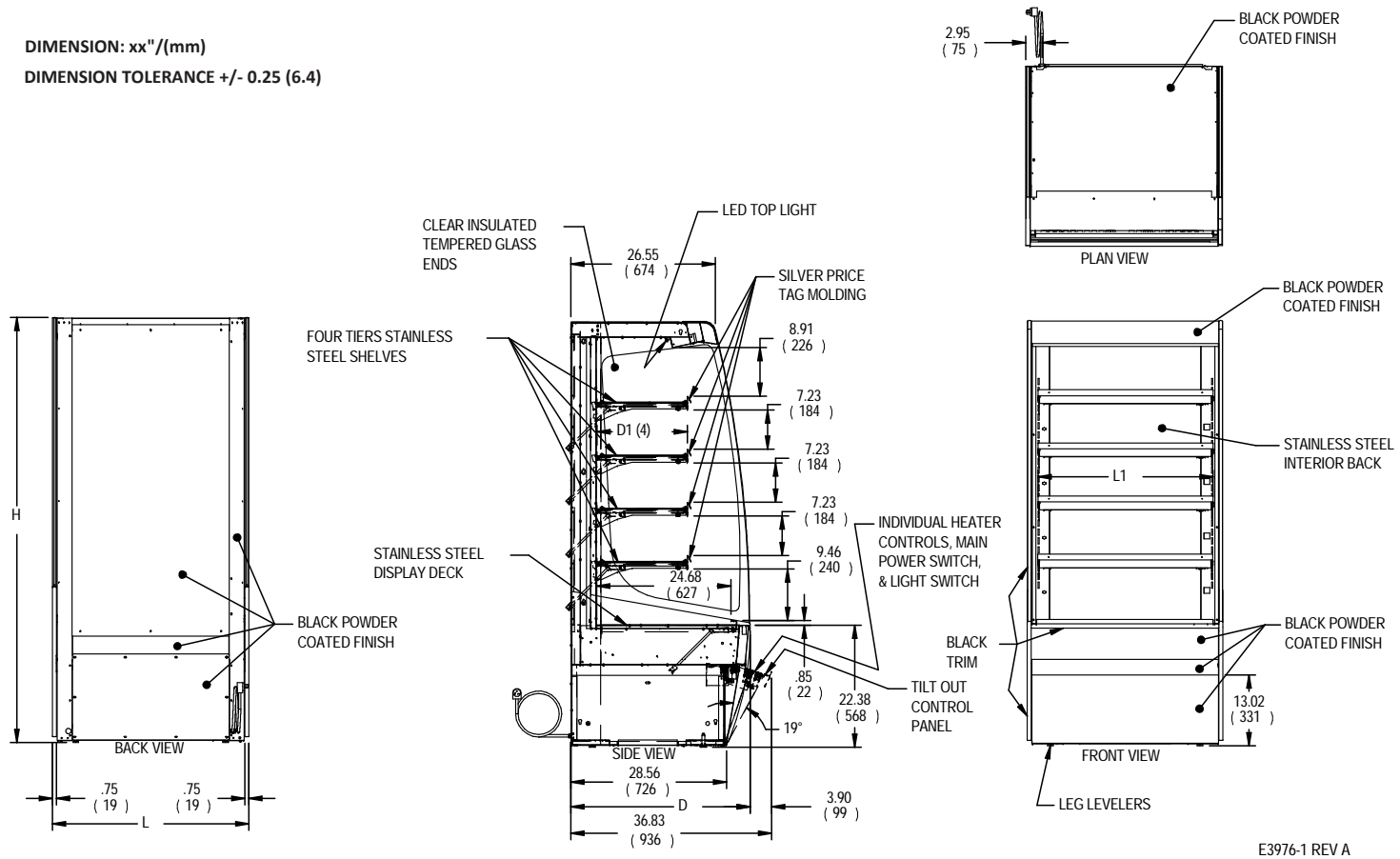
WARRANTY*
One year Parts and Labor
(U.S.A. and Canada)

Note: Information is subject to change at any time. Visit www.federalind.com for the most current specs.

| | |
|-------|---|
| AIA # | Vision Series - Curved End Self-Serve Heated Case - 78" |
| SIS # | Product Specifications |

| | | |
|------|------------------------------------|-----------------------------|
| Zone | Intended Product to Be Displayed | Warmest Avg Prod Temp °F/°C |
| All | Packaged Heated Merchandise | 160°F/(71.1°C) |

DIMENSION: xx"/(mm)
DIMENSION TOLERANCE +/- 0.25 (6.4)



E3976-1 REV A

| MODEL | DIMENSIONS | | | SHELVING | | INTERIOR VOLUME CU FT | STANDARD CONNECTION CORD & PLUG | | | SHIP WEIGHT | |
|-----------|------------|-----|------|------------|-------|--------------------------|---------------------------------|-----------------|---------------|-------------|------------------|
| | L | D | H | # OF TIERS | L1 | | D1 | 2 WIRE + GROUND | | | NEMA CORD & PLUG |
| | in | in | in | | in | | in | 208-240/60/1 | | | |
| | mm | mm | mm | | mm | | mm | AMPS | MAX FUSE SIZE | | |
| VHSS2478C | 24 | 33 | 78 | 4 | 32.25 | 16.61 | 12.64 | 7.3 @ 208 | 15 | NEMA 6-15P | 510 |
| | 610 | 838 | 1981 | | 819 | 422 | | 8.6 @ 240 | | | 231 |
| VHSS3678C | 36 | 33 | 78 | 4 | 43.25 | 16.61 | 19.47 | 12.0 @ 208 | 20 | NEMA 6-20P | 555 |
| | 914 | 838 | 1981 | | 1099 | 422 | | 13.5 @ 240 | | | 252 |
| VHSS4878C | 47.25 | 33 | 78 | 4 | 55.25 | 16.61 | 25.74 | 16.2 @ 208 | 30 | NEMA L6-30P | 580 |
| | 1200 | 838 | 1981 | | 1403 | 422 | | 18.8 @ 240 | | | 263 |

- Packaged food products placed in case must be pre-heated before placing in case.
- Due to continuing engineering improvements, specifications are subject to change without notice.



FEDERAL INDUSTRIES
 A Standex Company
 215 Federal Avenue, Belleville, Wisconsin 53508-9201

Phone: 800-356-4206
Fax: 608-424-3234
Email: Geninfo@Federalind.com
Website: Federalind.com