



AIA #	VISION SERIES - High Profile Self-Serve Refrigerated Merchandiser - 60"
SIS #	Product Specifications

Intended Environment: Type II (Self Contained and Remote) - Designed to operate in maximum ambient conditions of 80°F (24°C) and 55% relative humidity.		
<b>Zone</b>	<b>Intended Product To Be Displayed</b>	<b>Avg Prod Temp °F/°C</b>
All	Packaged Refrigerated Products	38°F / [3.3°C]

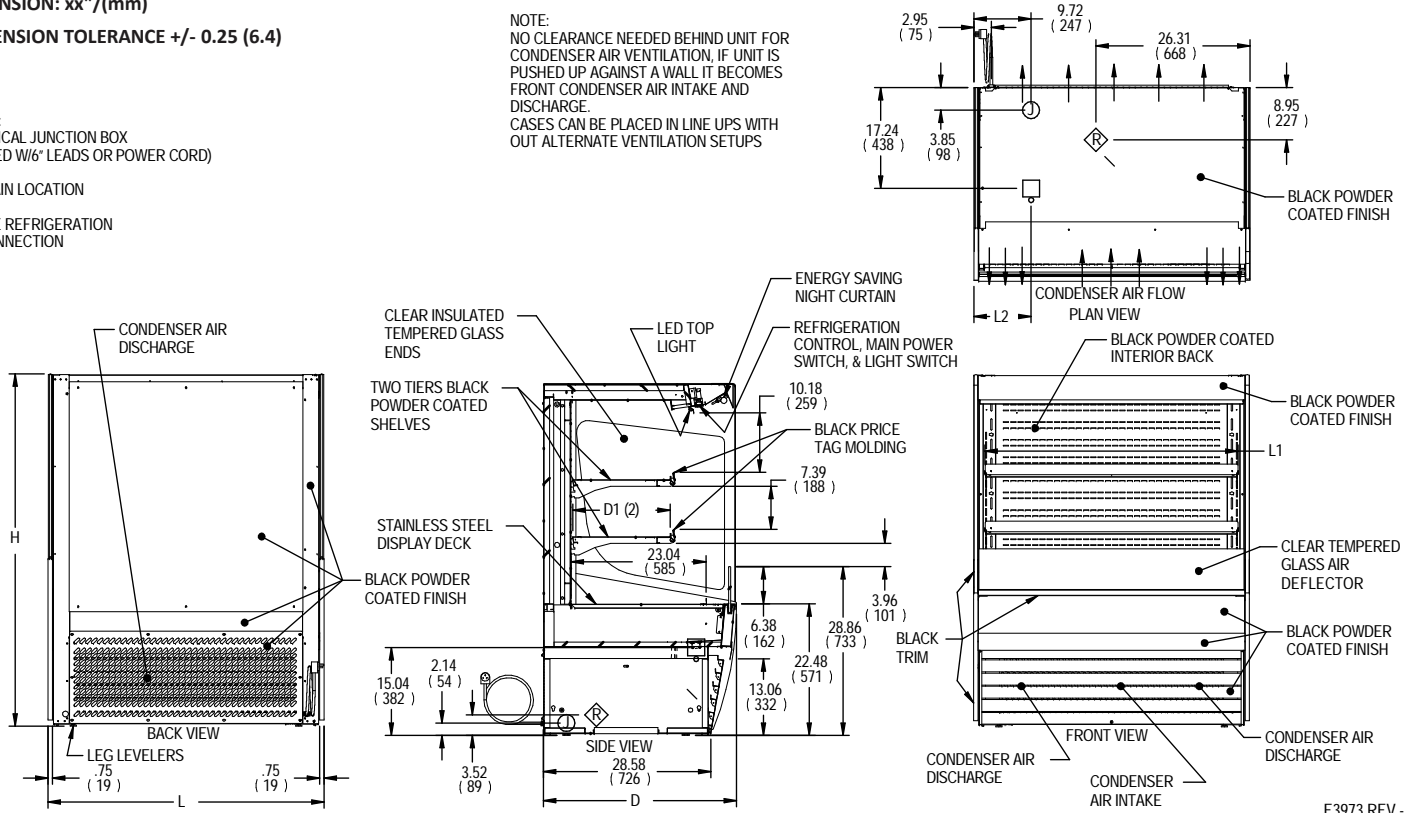
**DIMENSION: xx"/(mm)**  
**DIMENSION TOLERANCE +/- 0.25 (6.4)**

**SYMBOL KEY:**  
 ELECTRICAL JUNCTION BOX (SUPPLIED W/6' LEADS OR POWER CORD)

TUB DRAIN LOCATION

REMOTE REFRIGERATION LINE CONNECTION

**NOTE:**  
 NO CLEARANCE NEEDED BEHIND UNIT FOR CONDENSER AIR VENTILATION, IF UNIT IS PUSHED UP AGAINST A WALL IT BECOMES FRONT CONDENSER AIR INTAKE AND DISCHARGE.  
 CASES CAN BE PLACED IN LINE UPS WITH OUT ALTERNATE VENTILATION SETUPS



E3973 REV -

MODEL	DIMENSIONS								TUB DRAIN	SHELVING		INTERIOR VOLUME CU FT	STANDARD CONNECTION CORD & PLUG				REFRIGERANT	C.U. HP	REMOTE			SHIP WHT LBS
	DIMENSIONS			# OF TIERS	L1	D1	ELECTRICAL			NEMA CORD & PLUG	FREON		PERMANENT CONNECT		BTU'S @ +20°							
	L	D	H				2 WIRE + GROUND	AMPS					MAX FUSE SIZE	2 WIRE + GROUND		MAX FUSE SIZE						
	in	in	in				in	in					in	in		in			KILO	AMPS	KILO	
VRSS3660S	36	33	60	6.74	2	32.25	16.634	120/60/1	12.7	20	NEMA 5-20P	R449A	3/4	535	2.5	15	R449A	6,720	490			
	914	838	1524	171		819	423							243					222			
VRSS4860S	47.25	33	60	13.49	2	43.25	16.634	208-240/60/1	12.5	20	NEMA 6-20P	R449A	1	620	3.0	15	R449A	9,580	580			
	1200	838	1524	343		1099	423							281					263			
VRSS6060S	59.25	33	60	14.12	2	55.25	16.634	208-240/60/1	13.5	20	NEMA 6-20P	R449A	1-1/4	755	3.5	15	R449A	11,200	710			
	1505	838	1524	359		1403	423							342					322			
VRSS7260S	71.25	33	60	20.12	2	67.25	16.634	208-240/60/1	13.7	20	NEMA 6-20P	R449A	1-1/4	845	3.5	15	R449A	12,300	800			
	1810	838	1524	511		1708	423							383					363			

- Due to continuing engineering improvements, specifications are subject to change without notice.
- Case temperature will vary if the air curtain is disrupted.



**FEDERAL INDUSTRIES**  
 A Standex Company  
 215 Federal Avenue Belleville, Wisconsin 53508-9201

**Phone:** 800-356-4206  
**Fax:** 608-424-3234  
**Email:** Geninfo@Federalind.com  
**Website:** Federalind.com