



The Signature of Quality

FEDERAL INDUSTRIES

A Standex Company

215 Federal Avenue
Belleville, Wisconsin 53508-9201

Phone: 800-356-4206

Fax: 608-424-3234

Email: Geninfo@Federalind.com

Website: Federalind.com

Project Name: _____

Item #: _____

Model #: _____ Qty: _____

Approval: _____

AIA #

SIS #

VISION SERIES - Square Ends Self-Serve Refrigerated Slide-In Display Case - 60"

Designed with impulse sales in mind. Get maximum return from an attention-grabbing merchandiser and increase profits.



Curved End Shown

Table with 2 columns: MODEL and DIMENSIONS (Includes End Panels). Rows include VRSS3660S-SLD, VRSS4860S-SLD, VRSS6060S-SLD, and VRSS7260S-SLD with their respective dimensions in inches and millimeters.

STANDARD FEATURES

Model Features

- Black interior including shelves
Stainless steel display deck
Tempered glass upper end panels
Black powder coated base frame
Black trim
Rear air intake and discharge
Adjustable height casters (3) with locks
Cord & plug
Energy saving night curtain

Refrigeration

- Starting January 1, 2025, R449a refrigerant will be replaced by R290
Electronic temperature control maintains 38°-40°F (3.3°-4.4°C) Note: Case temperatures will vary if the air curtain is disrupted.
Digital thermometer
Clear coil on demand defrost
Coated evaporator coil

Shelving

- Two tiers of adjustable black metal shelves with black price tag molding
Shelves can be flat or slanted down at 10°

Lighting

- 3500K LED top light

Agency Approvals

- UL, C-UL and UL Sanitation listed to NSF-7, Type II conditions (Model VRSS3660S-SLD is Type I).
DOE 2017 compliant

OPTIONAL ACCESSORIES

- White interior (including shelves)
Stainless steel interior (including shelves)
Stainless steel shelves in lieu of black
Additional lighted 3500K LED shelf (MD)
Deli meat pegs
High-capacity condensate evaporator assembly
Self-cleaning condenser
Graphics package
Clear or reflective glass, sliding rear doors (Solid hinged on 36" cases)
Black polycarbonate removable locking security cover
Roll-Down locking security cover (black, white, or gray)

*Additional options available on the website and price list.



WARRANTY* One year Parts and Labor 2nd thru 5th year part only service compressor (U.S.A. and Canada)

Note: Information is subject to change at any time. Visit www.federalind.com for the most current specs.

AIA #	VISION SERIES - Square Ends Self-Serve Refrigerated Slide-In Display Case - 60"
SIS #	Product Specifications

Intended Environment: Type II (Self Contained) - Designed to operate in maximum ambient conditions of 80°F (24°C) and 55% relative humidity. Model VRSS3660S-SLD is Type I - Designed to operate in maximum ambient conditions of 75°F (24°C) and 55% relative humidity.

Zone	Intended Product To Be Displayed	Avg Prod Temp °F/°C
All	Packaged Refrigerated Products	38°F / (3.3°C)

DIMENSION: xx"/(mm)

DIMENSION TOLERANCE +/-

0.25 (6.4)

SYMBOL KEY:

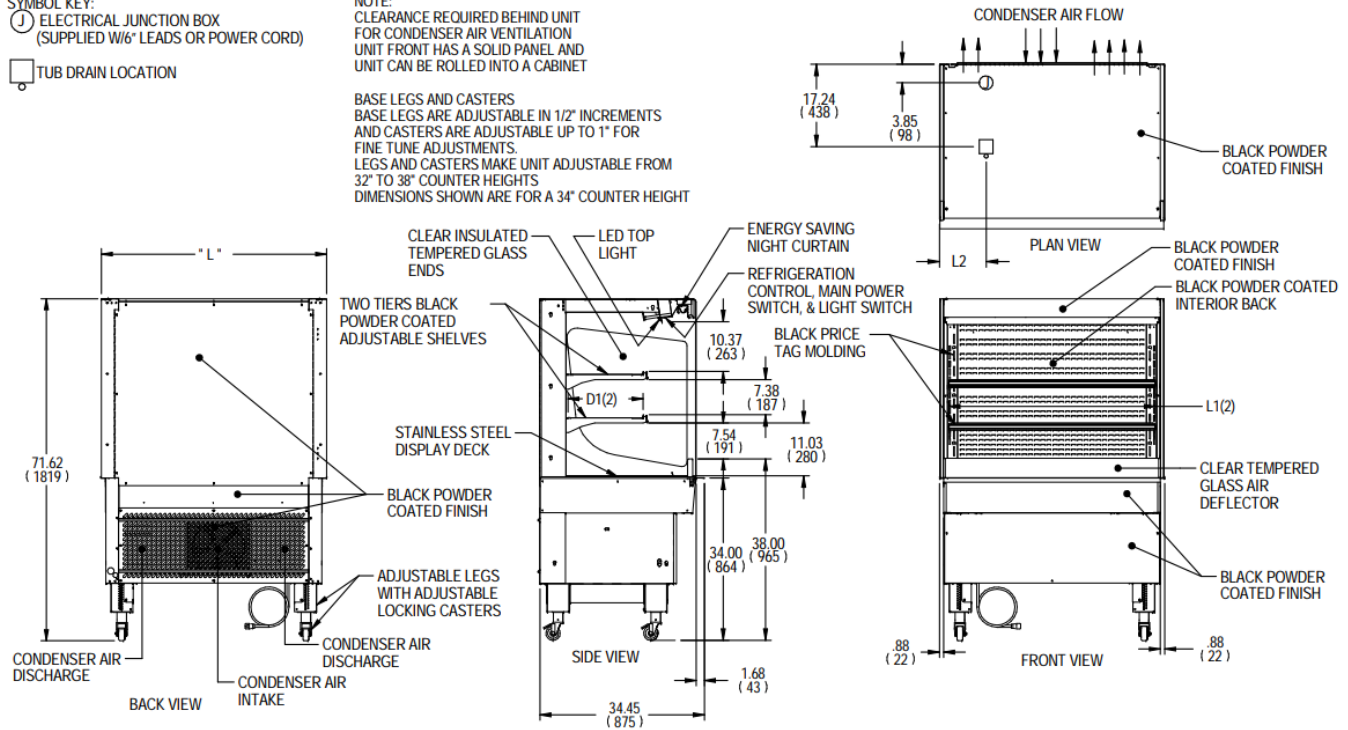
Ⓝ ELECTRICAL JUNCTION BOX (SUPPLIED W/6' LEADS OR POWER CORD)

□ TUB DRAIN LOCATION

NOTE:

CLEARANCE REQUIRED BEHIND UNIT FOR CONDENSER AIR VENTILATION. UNIT FRONT HAS A SOLID PANEL AND UNIT CAN BE ROLLED INTO A CABINET.

BASE LEGS AND CASTERS
BASE LEGS ARE ADJUSTABLE IN 1/2" INCREMENTS AND CASTERS ARE ADJUSTABLE UP TO 1" FOR FINE TUNE ADJUSTMENTS.
LEGS AND CASTERS MAKE UNIT ADJUSTABLE FROM 32" TO 38" COUNTER HEIGHTS
DIMENSIONS SHOWN ARE FOR A 34" COUNTER HEIGHT



E3973-3 REV A

MODEL	DIMENSIONS				TUB DRAIN	SHELVING		INTERIOR VOLUME CU FT	ELECTRICAL 2 WIRE + GROUND	STANDARD CONNECTION CORD & PLUG			REFRIGERANT	C.U. HP	CONDENSATE REMOVAL	SHIP WEIGHT LBS KILO	
	L	D	H	L2		# OF TIERS	L1			D1	AMPS	MAX FUSE SIZE					NEMA CORD &
	in	in	in	in			in			in							
VRSS3660S-SLD	36	33	71.6	6.74	2	32.25	16.634	13.98	120/60/1	12.7	20	NEMA 5-20P	R449A	3/4	INTEGRATED PAN	535	
	914	838	1819	171		819	423									243	
VRSS4860S-SLD	47.25	33	71.6	13.49	2	43.25	16.634	18.48	208-240/60/1	12.5	20	NEMA 6-20P	R449A	1	INTEGRATED PAN	620	
	1200	838	1819	343		1099	423									281	
VRSS6060S-SLD	59.25	33	71.6	14.12	2	55.25	16.634	23.39	208-240/60/1	13.5	20	NEMA 6-20P	R449A	1-1/4	INTEGRATED PAN	755	
	1505	838	1819	359		1403	423									342	
VRSS7260S-SLD	71.25	33	71.6	20.12	2	67.25	16.634	28.30	208-240/60/1	13.7	20	NEMA 6-20P	R449A	1-1/4	INTEGRATED PAN	845	
	1810	838	1819	511		1708	423									383	

- Case temperature will vary if the air curtain is disrupted.
- Due to continuing engineering improvements, specifications are subject to change without notice



FEDERAL INDUSTRIES

A Standex Company

215 Federal Avenue Belleville, Wisconsin 53508-9201

Phone: 800-356-4206

Fax: 608-424-3234

Email: Geninfo@Federalind.com

Website: Federalind.com