



The Signature of Quality®

FEDERAL INDUSTRIES

A Standex Company

215 Federal Avenue
Belleville, Wisconsin 53508-9201

Phone: 800-356-4206

Fax: 608-424-3234

Email: Geninfo@Federalind.com

Website: Federalind.com

Project Name: _____

Item #: _____

Model #: _____ Qty: _____

Approval: _____

AIA #

SIS #

s//KE/r,PW(oflflo(rflflfl(PflfDflvflr

Designed with impulse sales in mind. Get maximum return from an attention-grabbing merchandiser and increase profits.



Model VRSS7278C Shown

Optional shelf lights & graphics package shown

MODEL	DIMENSIONS (Includes End Panels)
<input type="checkbox"/> VRSS3678C	36 x 33 x 78 (in) 914 x 838 x 1981 (mm)
<input type="checkbox"/> VRSS4878C	47.25 x 33 x 78 (in) 1200 x 838 x 1981 (mm)
<input type="checkbox"/> VRSS6078C	59.25 x 33x 78 (in) 1505 x 838 x 1981 (mm)
<input type="checkbox"/> VRSS7278C	71.25 x 33x 78 (in) 1810 x 838 x 1981 (mm)

STANDARD FEATURES

Model Features

- Powder coated base frame
-
-
-
-
-
-
-
- air intake / front & rear discharge
-
-
-

Refrigeration

- Electronic temperature control with on demand defrost
- Refrigeration controls maintain 38°-40°F (3.3°-4.4°C) Note: Case temperature will vary if the air curtain is disrupted.
- Thermometer
- R449a refrigerant

Shelving

- Four tiers of adjustable black metal shelves with black price tag molding. Shelves can be flat or slanted downwards at 10°

Lighting

- 3500K LED top light

Agency Approvals

- UL, C-UL and UL Sanitation listed to NSF-7, Type II conditions
- DOE 2017 compliant

OPTIONAL ACCESSORIES

- Special External aminate Finish
- Graphics Package
- White Interior (Including Shelves)
- Stainless Steel Interior (IncludingShelves)
- Stainless Steel Exterior Finish
- Stainless Steel Shelves
- Solid Right/ eft End Panels (mirrored)
- Square ends
- Reflective End lass
- Deli Meat Pegs
- Sliding Rear Access Doors (hinged on 36" cases)
- Roll-up Security Cover (Square End Profile)
- Removable Security Cover

- ED ights Below Shelves
- Additional ighted (ED) Shelf
- Front Cart Bumper
- Recessed or 4 (101.6mm) Casters (Self Contained Models Only)
- egs, 6 , (152mm)
- Skirt with Casters or egs
- oining it for Continuous ine ps
- Condensate Evaporator Assembly (Field Install) (Separate 120V, 20A Circuit Required) (Remote Only)
- Remote Refrigeration With Condensate Pump (R449a Refrigerant, EEV Included)
- Reversing Condenser Coil Fan

*Additional options available on the website and price list.



WARRANTY*
One year Parts and Labor
2nd thru 5th year part only
service compressor
(U.S.A. and Canada)

Note: Information is subject to change at any time. Visit www.federalind.com for the most current specs.

AIA #	VISION SERIES - High Profile Self-Serve Refrigerated Merchandiser - 78"
SIS #	Product Specifications

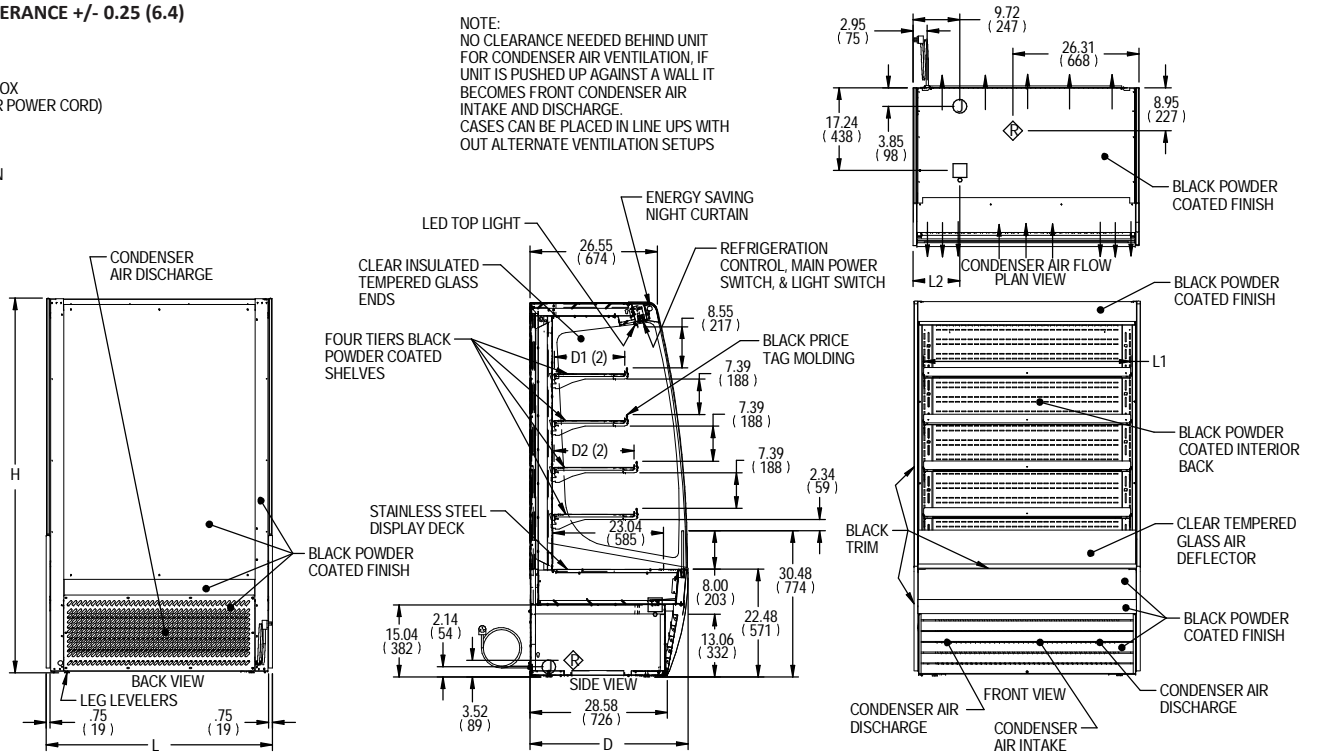
Intended Environment: Type II (Self Contained and Remote) - Designed to operate in maximum ambient conditions of 80°F (24°C) and 55% relative humidity.		
Zone	Intended Product To Be Displayed	Avg Prod Temp °F/°C
All	Packaged Refrigerated Products	38°F / [3.3°C]

DIMENSION: xx"/(mm)

DIMENSION TOLERANCE +/- 0.25 (6.4)

- SYMBOL KEY:**
- Ⓛ ELECTRICAL JUNCTION BOX (SUPPLIED W/6' LEADS OR POWER CORD)
 - TUB DRAIN LOCATION
 - Ⓡ REMOTE REFRIGERATION LINE CONNECTION

NOTE:
NO CLEARANCE NEEDED BEHIND UNIT FOR CONDENSER AIR VENTILATION. IF UNIT IS PUSHED UP AGAINST A WALL IT BECOMES FRONT CONDENSER AIR INTAKE AND DISCHARGE. CASES CAN BE PLACED IN LINE UPS WITH OUT ALTERNATE VENTILATION SETUPS



E3974-1 REV -

MODEL	DIMENSIONS			TUB DRAIN	SHELVING			INTERIOR VOLUME CU FT	SELF CONTAINED				REMOTE												
	L	D	H	L2	# OF TIERS	L	D1		D2	STANDARD CONNECTION CORD & PLUG				SHIP WGT	PERMANENT CONNECT		FREON	BTU'S @ + 20°	SHIP WGT						
	in	in	in	in		in	in		in	2 WIRE + GROUND	AMPS	MAX FUSE SIZE	NEMA CORD & PLUG		FREON	C.U. HP				LBS	120/60/1		LBS		
	mm	mm	mm	mm		mm	mm		mm												KILO	AMPS		MAX FUSE SIZE	KILO
VRSS3678C	36	33	78	6.74	4	32.25	14.634	16.634	120/60/1	12.7	20	NEMA 5-20P	R449A	3/4	740	2.5	15	R449A	6,720	695					
	914	838	1981	171		819	372	423							19.47					336	315				
VRSS4878C	47.25	33	78	13.49	4	43.25	14.634	16.634	208-240/60/1	12.5	20	NEMA 6-20P	R449A	1	820	3.0	15	R449A	9,580	775					
	1200	838	1981	343		1099	372	423							25.74					372	351				
VRSS6078C	59.25	33	78	14.12	4	55.25	14.634	16.634	208-240/60/1	13.5	20	NEMA 6-20P	R449A	1-1/4	1030	3.5	15	R449A	11,200	985					
	1505	838	1981	359		1403	372	423							32.58					467	447				
VRSS7278C	71.25	33	78	20.12	4	67.25	14.634	16.634	208-240/60/1	13.7	20	NEMA 6-20P	R449A	1-1/4	1080	3.5	15	R449A	12,300	1040					
	1810	838	1981	511		1708	372	423							39.42					490	472				

- Due to continuing engineering improvements, specifications are subject to change without notice.
- Case temperature will vary if the air curtain is disrupted.



FEDERAL INDUSTRIES
A Standex Company
215 Federal Avenue Belleville, Wisconsin 53508-9201

Phone: 800-356-4206
Fax: 608-424-3234
Email: Geninfo@Federalind.com
Website: Federalind.com