



The Signature of Quality

FEDERAL INDUSTRIES

A Standex Company

215 Federal Avenue
Belleville, Wisconsin 53508-9201

Phone: 800-356-4206

Fax: 608-424-3234

Email: Geninfo@Federalind.com

Website: Federalind.com

Project Name: _____

Item #: _____

Model #: _____ Qty: _____

Approval: _____

AIA #

SIS #

VISION SERIES - Square End Self-Serve Refrigerated Case - 78"

Designed with impulse sales in mind. Get maximum return from an attention-grabbing merchandiser and increase profits.



Model VRSS4878S
Shown with Options

OPTIONAL ACCESSORIES

- White interior (including shelves)
Stainless steel interior (including shelves)
Stainless steel or glass shelves in lieu of black
Deli meat pegs
3500K LED lights below shelves
Additional lighted 3500K LED shelf
High-capacity condensate evaporator assembly
Condensate evaporator assembly (field install)
Remote refrigeration with condensate pump
Self-cleaning condenser
Rear air intake and discharge
Stainless steel exterior finish
Premium exterior laminate
Graphics package
Solid end panels (mirrored interior)
Reflective end glass
Clear or reflective glass, sliding rear doors
6" legs
Seismic legs
Skirt w/4" casters or legs
2 1/2" recessed or 4" casters
Joining kit for continuous line-ups
Front wire display basket
Front cart bumper
Roll-Down locking security cover
Black polycarbonate removable locking security cover

*Additional options available on the website and price list.

Table with 2 columns: MODEL and DIMENSIONS. Lists models VRSS3678S, VRSS4878S, VRSS6078S, and VRSS7278S with their respective dimensions in inches and millimeters.

STANDARD FEATURES

Model Features

- Black interior including shelves
Stainless steel display deck
Tempered glass ends
Black powder coated base frame
Moisture resistant end panel construction
Choice of standard colors on lower millwork panel
Black trim
Adjustable leg levelers
Cord & plug, self-contained only
Universal breathe - Front air intake / front & rear discharge
Energy saving night curtain
Matches profile of the VRSS & VHSS models

Refrigeration

- Starting January 1, 2025, R449a refrigerant will be replaced by R290
Electronic temperature control maintains 38°-40°F
Digital thermometer
Clear coil on demand defrost
Coated evaporator coil

Shelving

- Four tiers of adjustable black metal shelves with black price tag molding.
Shelves can be flat or slanted down at 10°.

Lighting

- 3500K LED top light

Agency Approvals

- UL, C-UL and UL Sanitation listed to NSF-7, Type II conditions
DOE 2017 compliant



WARRANTY*
One year Parts and Labor
2nd thru 5th year part only service compressor

Note: Information is subject to change at any time. Visit www.federalind.com for the most current specs.

AIA #	VISION SERIES - Square End Self-Serve Refrigerated Case - 78"
SIS #	Product Specifications

Intended Environment: Type II (Self Contained and Remote) - Designed to operate in maximum ambient conditions of 80°F (24°C) and 55% relative humidity. Model VRSS3678S is Type I - Designed to operate in maximum ambient conditions of 75°F (24°C) and 55% relative humidity.

Zone	Intended Product To Be Displayed	Avg Prod Temp °F/°C
All	Packaged Refrigerated Products	38°F / (3.3°C)


DIMENSION: xx"/(mm)

DIMENSION TOLERANCE +/- 0.25 (6.4)

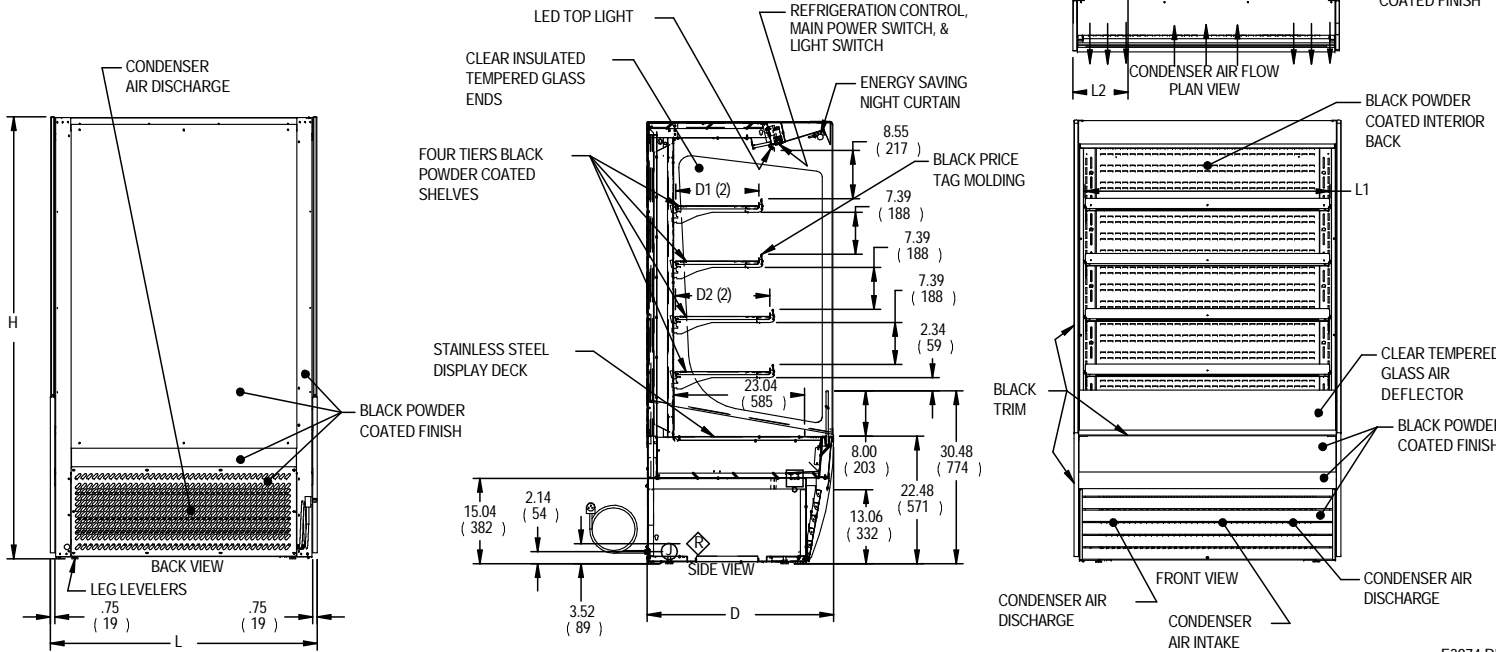
SYMBOL KEY:

 ELECTRICAL JUNCTION BOX (SUPPLIED W/6' LEADS OR POWER CORD)

 TUB DRAIN LOCATION

 REMOTE REFRIGERATION LINE CONNECTION

NOTE:
NO CLEARANCE NEEDED BEHIND UNIT FOR CONDENSER AIR VENTILATION. IF UNIT IS PUSHED UP AGAINST A WALL IT BECOMES FRONT CONDENSER AIR INTAKE AND DISCHARGE. CASES CAN BE PLACED IN LINE UPS WITH OUT ALTERNATE VENTILATION SETUPS



E3974 REV A

MODEL	DIMENSIONS				TUB DRAIN	SHELVING			INTERIOR VOLUME CU FT	ELECTRICAL				STANDARD CONNECTION CORD & PLUG			REFRIG	C.U HP	CONDENSATE REMOVAL	SHIP WT		PERMANENT CONNECT		REFRIG	BTU'S @ +20°	SHIP WT	
	L	D	H	L2		# OF TIERS	L1	D1		D2	2 WIRE + GROUND	AMPS	MAX FUSE	NEMA CORD &	LBS	KILO				AMPS	MAX FUSE	LBS	KILO				
	in	in	in	in			in	in		in																	
	mm	mm	mm	mm			mm	mm		mm																	
VRSS3678S	36	33	78	6.74	4	32.25	14.634	16.634	19.47	120/60/1	12.7	20	NEMA 5-20P	R449A	3/4	INTEGRATED PAN	740	2.5	15	R449A	6,720	695	315				
	914	838	1981	171		819	372	423									336										
VRSS4878S	47.25	33	78	13.49	4	43.25	14.634	16.634	25.74	208-240/60/1	12.5	20	NEMA 6-20P	R449A	1	INTEGRATED PAN	820	3.0	15	R449A	9,580	775	351				
	1200	838	1981	343		1099	372	423									372										
VRSS6078S	59.25	33	78	14.12	4	55.25	14.634	16.634	32.58	208-240/60/1	13.5	20	NEMA 6-20P	R449A	1-1/4	INTEGRATED PAN	1030	3.5	15	R449A	11,200	985	447				
	1505	838	1981	359		1403	372	423									467										
VRSS7278S	71.25	33	78	20.12	4	67.25	14.634	16.634	39.42	208-240/60/1	13.7	20	NEMA 6-20P	R449A	1-1/4	INTEGRATED PAN	1080	3.5	15	R449A	12,300	1040	472				
	1810	838	1981	511		1708	372	423									490										

- Due to continuing engineering improvements, specifications are subject to change without notice
- Case temperature will vary if the air curtain is disrupted.



FEDERAL INDUSTRIES
A Standex Company
215 Federal Avenue Belleville, Wisconsin 53508-9201

Phone: 800-356-4206
Fax: 608-424-3234
Email: Geninfo@Federalind.com
Website: Federalind.com