



*The Signature of Quality®*

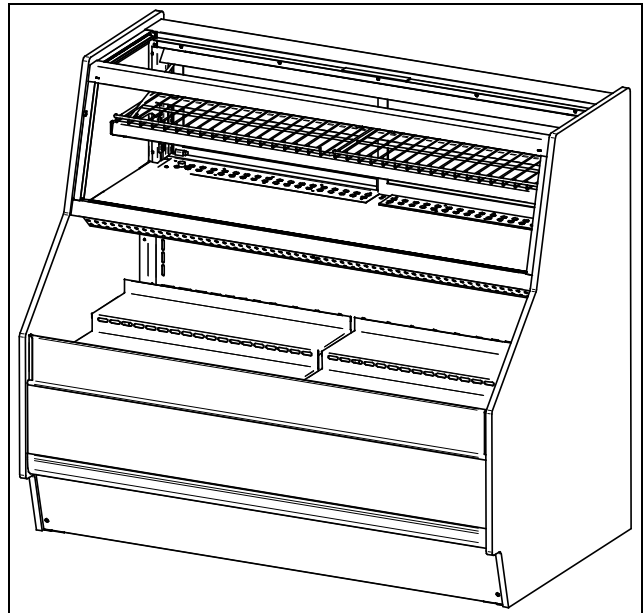
---

## INSTALLATION & OPERATIONS INSTRUCTIONS

### REFRIGERATED SSRC & ESSRC MODELS



**SSRC**



**ESSRC**

Federal Industries  
215 Federal AVE  
Belleville, WI 53508

Toll Free: (800) 356-4206  
WI Phone: (608) 424-3331  
Fax: (608) 424-3234



# Contents

(1)	INTRODUCTION.....	4
1.1	Registration & Serial Number.....	4
(2)	WARNING LABELS & SAFETY INSTRUCTIONS.....	5
(3)	REFRIGERATION WARNING.....	6
3.1	Installation-Repair-Decommissioning.....	6
3.2	Qualification:.....	7
3.3	Checks to Area:.....	7
3.4	Repairs to sealed components:.....	8
3.5	Detection of flammable refrigerants:.....	9
3.6	Removal and Evacuation:.....	9
3.7	Charging procedures:.....	9
3.8	Decommissioning:.....	9
3.9	Labeling:.....	10
3.10	Recovery:.....	10
(4)	PRE-INSTALLATION PROCEDURES.....	10
4.1	Inspection for Shipping Damage.....	10
(5)	GENERAL ELECTRICAL & GROUNDING.....	11
5.1	Cord Connected.....	11
5.2	Permanent Connected (Option).....	11
(6)	REFRIGERATION OPERATION.....	11
6.1	Evaporator Condensate Drain Tube.....	11
6.2	Condensate Pump.....	11
(7)	INSTALLATION INSTRUCTIONS.....	11
7.1	Locating the Display Case.....	11
7.2	Removing Case From Shipping Skid and General Installation.....	11
7.3	Cleaning.....	11
(8)	SHELVING INSTALLATION & REMOVAL.....	11
8.1	Shelf Brackets And Supports Installation.....	11
(9)	REAR DOORS.....	14
(10)	NIGHT CURTAIN (SSRC OPTION).....	14
(11)	SECURITY NIGHT COVER (SSRC OPTION).....	14
(12)	OPERATING INSTRUCTIONS.....	15
12.1	User Controls Overview.....	15
12.2	Power Switch.....	15
12.3	Light Switch.....	15
12.4	Electronic Temperature Control.....	15
12.4.1	Button And Display Overview.....	15
12.4.2	Powering On Control.....	16




12.4.3	ADJUSTING THE SET POINT .....	16
12.4.4	Entering Manual Defrost Mode .....	16
12.4.5	Error Codes .....	17
12.5	Electronic Control Operation .....	17
12.6	Initial Startup.....	18
12.7	Top Section Refrigeration Louver Control .....	18
12.8	Placing Product in Case .....	19
(13)	MAINTENANCE (LIGHTS).....	19
(14)	PERIODIC MAINTENANCE (CLEAN CONDENSER) .....	20
(15)	CLEANING INSTRUCTIONS.....	20
15.1	Daily Cleaning .....	20
15.2	Weekly Cleaning.....	22
(16)	SALE & DISPOSAL .....	25
16.1	Owner Responsibility.....	25
(17)	SERVICE INFORMATION .....	25
17.1	Special Service Instructions .....	26
17.2	Pre-Service checklist.....	26
17.2.1	Lights do not operate .....	26
17.2.2	Case temperature too warm (product is exceeding 41°F).....	26
(18)	WIRING DIAGRAMS .....	28
(19)	REPLACEMENT PARTS.....	30

---

# (1) INTRODUCTION

---

Thank you for purchasing a Federal Industries display case. This manual contains important instructions for installing and servicing the convertible refrigerated self-service merchandisers (SSRC & ESSRC). A repair parts list and wiring diagram are also included in the manual. Read all of these documents carefully before installing or servicing your case.

	<p><b>NOTICE</b> Read this manual before installing your case. Keep this manual and refer to it before doing any service on the equipment. Failure to do so could result in personal injury or damage to the case.</p>
	<p><b>NOTICE</b> Installation and service of the electrical components in the case must be performed by a licensed electrician. The portions of this manual covering components contain technical instructions intended only for persons qualified to perform electrical work.</p>
	<p><b>DANGER</b> Improper or faulty hookup of electrical components in the case can result in severe injury or death. All electrical wiring hookups must be done in accordance with all applicable local, regional, or national standards.</p>

## 1.1 Registration & Serial Number

It's important to keep a record of the model and serial number of your merchandiser for warranty and part identification. Please write them here for your quick reference.

**Register your product online!** Visit our website at [www.federalindustries.com](http://www.federalindustries.com) and register your product today.

Case Model \_\_\_\_\_ Serial Number \_\_\_\_\_

We're here to provide you with the best possible experience with your new product, however, we cannot cover everything about your merchandiser in this manual, so if you have any additional questions or issues, please see the SERVICE INFORMATION PAGE to find who you should contact.

## (2) WARNING LABELS & SAFETY INSTRUCTIONS



This is the safety-alert symbol. When you see this symbol on your case or in the manual, be alert to the potential for personal injury or damage to your equipment.

Be sure you understand all the safety messages and always follow recommended precautions and safe operating procedures.



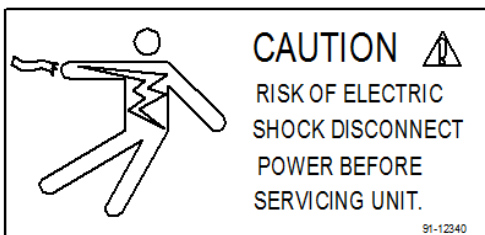
### NOTICE TO EMPLOYERS:

You must make sure that everyone who installs, uses, or services your case is thoroughly familiar with all safety information and procedures.

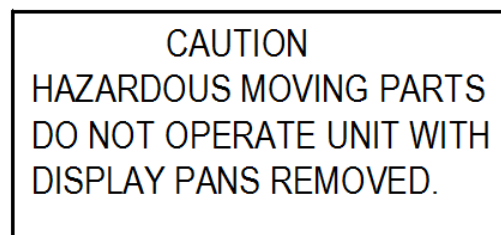
Important safety information is presented in this section and throughout the manual. The following signal words are used in the warning and safety messages:

DANGER:	Severe injury or death <b>will</b> occur if you ignore the message.
WARNING:	Severe injury or death <b>can</b> occur if you ignore the message.
CAUTION:	Minor injury or damage to your case <b>can</b> occur if you ignore the message.
NOTICE:	This is important installation, operation, or service information. If you ignore the message, you may damage your case.

The warning and safety labels shown throughout this manual are placed on your Federal Industries case at the factory. Follow all warning label instructions. If any warning or safety labels become lost or damaged, call our customer service department at (800) 356-4206 for replacements.



This label is located on the back of the display case



This label is located below the display pan.

**DANGER** – Risk of fire or explosion. Flammable refrigerant used. Consult repair manual/owner's guide before attempting to service this product. all safety precautions must be followed

91-2181-4

**DANGER** — Risque d'incendie ou d'explosion. Fluide frigorigène utilisé. Consulter le guide propriétaire ou le manuel de réparations avant de d'essayer d'installer ou de réparer ce produit. Toutes les précautions de sécurité doivent être suivies.

91-2181-4

This label is located by condensing unit

---

---

## **(3) REFRIGERATION WARNING**

---

---

### **3.1 Installation-Repair-Decommissioning**

#### **WARNING SYMBOL**



**This is the Danger-Flammable symbol. When you see this symbol on your case or in the manual, be alert to the potential for risk of fire or explosion.**

Be sure you understand all the safety messages and always follow recommended precautions and safe operating procedures.

#### **DANGER**



**Risk of fire or explosion. Flammable refrigerant used. To be repaired only by trained service personnel. Do not puncture refrigerant tubing. Dispose of properly in accordance with federal or local regulations**

**Consult repair manual/owner's guide before attempting to service this product. All safety precautions must be followed.**

**Follow handling instructions carefully in compliance with national regulations.**

**Auxiliary devices which may be ignition sources shall not be installed in the ductwork, other than auxiliary devices listed for use with the specific appliance.**

**Do not store explosive substances (such as aerosol cans with a flammable propellant) in this case.**

**Do not use an electrical appliance INSIDE the food storage compartments unless its type is recommended by manufacturer.**

**Flammable refrigerant type specified on case nameplate is on the serial label.**

**APPLIES TO R290 REFRIGERANT MODELS ONLY! Contains a charge of R290 refrigerant with a lower flammability limit (LFL) of .038kg/m<sup>3</sup>. See table for amount of charge.**

## **WARNING**

- Do not use means to accelerate the defrosting process or to clean, other than those recommended by the manufacturer.
- The appliance shall be stored in a room without continuously operating ignition sources  
For example: open flames, an operating gas appliance or an operating electric heater.
- Do not pierce or burn.
- Be aware that refrigerants may not contain an odor.

## **MISE EN GARDE**

- Ne pas utiliser de moyens autres que ceux recommandés par le fabricant pour accélérer le processus de dégivrage ou pour nettoyer l'appareil.
- L'appareil doit être entreposé dans un local ne contenant pas de sources d'inflammation permanentes (flammes nues, appareil à gaz ou dispositif de chauffage électrique en fonctionnement, par exemple).
- Ne pas percer ou brûler.
- Attention, les fluides frigorigènes peuvent ne pas dégager d'odeur.

### **3.2 QUALIFICATION:**

ALL refrigeration and electrical maintenance, service, and repair must be performed by a Certified Technician that is trained in the required flammable refrigerants safety procedures. Technicians must read the entire section "REFRIGERATION WARNINGS SECTION" of this manual.

Including but not limited to the following:

- a) breaking into the refrigerating circuit.
- b) opening of sealed components.
- c) opening of ventilated enclosures.

### **3.3 CHECKS TO AREA:**

Prior to beginning work on systems containing FLAMMABLE REFRIGERANTS, safety checks are necessary to ensure that the risk of ignition is minimized prior to conducting work on the system.

- Capacitors are discharged: this shall be done in a safe manner to avoid possibility of sparking.
- No live electrical components and wiring are exposed while charging, recovering or purging the system.
- Continuity of earth bonding.
- Work shall be undertaken under a controlled procedure to minimize the risk of a flammable gas or vapor being present while the work is being performed.
- All maintenance staff and others working in the local area shall be instructed on the nature of the work being carried out. Work in confined spaces shall be avoided.
- The area shall be checked with an appropriate refrigerant detector prior to and during work, to ensure the technician is aware of potentially toxic or flammable atmospheres.

Ensure that the leak detection equipment being used is suitable for use with all applicable refrigerants, i.e., non-sparking, adequately sealed, or intrinsically safe.

-If any hot work is to be conducted on the refrigerating equipment or any associated parts, appropriate fire extinguishing equipment shall be available on hand. A dry chemical or CO2 fire extinguisher should be adjacent to the charging area.

-No person carrying out work in relation to a REFRIGERATING SYSTEM which involves exposing any pipe work shall use any sources of ignition in such a manner that it may lead to the risk of fire or explosion. All possible ignition sources, including cigarette smoking, should be kept sufficiently far away from the site of installation, repairing, removing and disposal, during which refrigerant can possibly be released to the surrounding space. Prior to work taking place, the area around the equipment shall be surveyed to make sure that there are no flammable hazards or ignition risks. "No Smoking" signs shall be displayed.

-Ensure that the area is in the open or that it is adequately ventilated before breaking into the system or conducting any hot work. A degree of ventilation shall continue during the period that the work is carried out. The ventilation should safely disperse any released refrigerant and preferably expel it externally into the atmosphere.

-Where electrical components are being changed, they shall be fit for the purpose and to the correct specification so as to minimize the risk of possible ignition due to incorrect parts. At all times, the manufacturer's maintenance and service guidelines shall be followed. If in doubt, consult the manufacturer's technical department for assistance. The following checks shall be applied to installations using flammable refrigerants:

- a) the actual REFRIGERANT CHARGE is in accordance with the room size within which the refrigerant containing parts are installed.
- b) The ventilation machinery and outlets are operating adequately and are not obstructed.
- c) Markings of the equipment continue to be visible and legible. Markings and signs that are illegible shall be corrected.
- d) Refrigerating pipes or components are installed in a position where they are unlikely to be exposed to any substance which may corrode refrigerant containing

-Repair and maintenance to electrical components shall include initial safety checks and component inspection procedures. If a fault exists that could compromise safety, then no electrical supply shall be connected to the circuit until it is satisfactorily dealt with. If the fault cannot be corrected immediately but it is necessary to continue operation, an adequate temporary solution should be used. This shall be reported to the owner of the Initial safety checks shall include:

### **3.4 REPAIRS TO SEALED COMPONENTS:**

-During repairs to sealed components, all electrical supplies shall be disconnected from the equipment being worked upon prior to any removal of sealed covers, etc. If it is necessary to have an electrical supply to equipment during servicing, then a permanently operating form of leak detection shall be located at the most critical point to warn of a potentially hazardous situation.

-Particular attention shall be paid to the following to ensure that by working on electrical components, the casing is not altered in such a way that the level of protection is affected. This shall include damage to cables, excessive number of connections, terminals not made to original specification, damage to seals, incorrect fitting of glands, etc. Ensure that the apparatus is mounted securely.

-Ensure that seals or sealing materials have not degraded to the point that they no longer serve the purpose of preventing the egress of flammable atmospheres. Replacement parts shall be in accordance with the manufacturer's specifications.

-Do not apply any permanent inductive or capacitance loads to the circuit without ensuring that this will not exceed the permissible voltage and current permitted for the equipment in use.

NOTE The use of silicon sealants can inhibit the effectiveness of some types of leak detection equipment. Intrinsically safe components do not have to be isolated prior to working on them.

### **3.5 DETECTION OF FLAMMABLE REFRIGERANTS:**

Under no circumstances shall potential ignition sources be used in the searching for or detection of refrigerant leaks. A halide torch (or any other detector using a naked flame) shall not be used.

**The following leak detection methods are deemed acceptable for all refrigerant systems:**

-Electronic leak detectors may be used to detect refrigerant leaks but, in the case of FLAMMABLE REFRIGERANTS, the sensitivity might not be adequate or might need recalibration. (Detection equipment shall be calibrated in a refrigerant-free area.) Ensure that the detector is not a potential source of ignition and is suitable for the refrigerant used. Leak detection equipment shall be set at a percentage of the LFL of the refrigerant and shall be calibrated to the refrigerant employed, and the appropriate percentage of gas (25 % maximum) is confirmed.

-Leak detection fluids are also suitable for use with most refrigerants but the use of detergents containing chlorine shall be avoided as the chlorine can react with the refrigerant and corrode the copper pipework.

NOTE Examples of leak detection fluids are

- bubble method,
- fluorescent method agents.

If a leak is suspected, all naked flames shall be removed/extinguished.

If a leakage of refrigerant is found which requires brazing, all the refrigerants shall be recovered from the system, or isolated (by means of shut off valves) in a part of the system remote from the leak.

### **3.6 REMOVAL AND EVACUATION:**

When breaking into the refrigerant circuit to make repairs-or for any other purpose-conventional procedures shall be used. However, for flammable refrigerants it is important that the best practice be followed, since flammability is a consideration. The following procedure shall be adhered to:

- a. Safely remove refrigerant following local and national regulations.
- b. Purge the circuit with inert gas.
- c. Evacuate (optional for A2L).
- d. Purge with inert gas (optional for A2L).
- e. Open the circuit by cutting or brazing.

The refrigerant change shall be recovered into the correct recovery cylinders if venting is not allowed by local and national codes. For appliances containing flammable refrigerants, the system shall be purged with oxygen-free nitrogen to render the appliance safe for flammable refrigerants. This process might need to be repeated several times. Compressed air or oxygen shall not be used for purging refrigerant systems. For appliances containing flammable refrigerants, refrigerant purging shall be achieved by breaking the vacuum in the system with oxygen-free nitrogen and continuing to fill until the working pressure is achieved, then venting to atmosphere, and finally pulling down to a vacuum (optional for A2L). This process shall be repeated until no refrigerant is within the system (optional for A2L). When the final oxygen-free nitrogen change is used, the system shall be vented down to atmospheric pressure to enable work to take place. Ensure that the outlet for the vacuum pump is not close to any potential ignition sources and that ventilation is available.

### **3.7 CHARGING PROCEDURES:**

In addition to conventional charging procedures, the following requirements shall be followed.

- a. Ensure that contamination of different refrigerants does not occur when using charging equipment. Hoses or lines shall be as short as possible to minimize the amount of refrigerant contained in them.
- b. Cylinders should be kept in an appropriate position according to the instructions.
- c. Ensure that the REFRIGERATING SYSTEM is earthed prior to charging the system with refrigerant.
- d. Label the system when charging is complete (if not already).
- e. Extreme care shall be taken not to overfill the REFRIGERATING SYSTEM.

### **3.8 DECOMMISSIONING:**

Before carrying out this procedure, it is essential that the technician is completely familiar with the equipment and all its details. It is recommended good practice that all refrigerants are recovered safely. Prior to the task

being carried out, an oil and refrigerant sample shall be taken in case analysis is required prior to re-use of recovered refrigerant. It is essential that electrical power is available before the task commences.

- a. Become familiar with the equipment and its operation.
- b. Isolate the system electrically.
- c. Before attempting the procedure, ensure that:
  - i. Mechanical handling equipment is available, if required, for handling refrigerant cylinders.
  - ii. All personal protective equipment is available and is being used correctly.
  - iii. The recovery process is supervised at all times by a competent person.
  - iv. Recovery equipment and cylinders conform to the appropriate standards.
- d. Pump down the refrigerant system, if possible.
- e. If a vacuum is not possible, make a manifold so that refrigerant can be removed from various parts of the system.
- f. Make sure that the cylinder is situated on the scales before recovery takes place.
- g. Start the recovery machine and operate in accordance with instructions.
- h. Do not overfill cylinders (no more than 80% volume liquid charge).
- i. Do not exceed the maximum working pressure of the cylinder, even temporarily.
- j. When the cylinders have been filled correctly and the process completed, make sure that the cylinders and the equipment are removed from the site properly and all isolation valves on the equipment are closed off.
- k. Recovered refrigerant shall not be charged into another refrigerating system unless it has been cleaned and checked.

### **3.9 LABELING:**

Equipment shall be labeled stating that it has been de-commissioned and emptied of refrigerant. The label shall be dated and signed. For appliances containing flammable refrigerants, ensure that there are labels on the equipment stating the equipment contains flammable refrigerant.

### **3.10 RECOVERY:**

When removing the refrigerant from a system, either for servicing or decommissioning, it is recommended good practice that all refrigerants are removed safely.

When transferring refrigerant into cylinders, ensure that only appropriate refrigerant recovery cylinders are employed. Ensure that the correct number of cylinders for holding the total system charge is available. All cylinders to be used are designated for the recovered refrigerant and labeled for that refrigerant (i.e., special cylinders for the recovery of refrigerant). Cylinders shall be complete with pressure-relief valve and associated shut-off valve in good working order. Empty recovery cylinders are evacuated and, if possible, cooled before recovery occurs.

The recovery equipment shall be in good working order with a set of instructions concerning the equipment that is at hand and shall be suitable for the recovery of all appropriate refrigerants including, when applicable, FLAMMABLE REFRIGERANTS. In addition, a set of calibrated weighing scales shall be available and in good working order. Hoses shall be complete with leak-free disconnect coupling and in good condition. Before using the recovery machine, check that it is in satisfactory working order, has been properly maintained and that any associated electrical components are sealed to prevent ignition in the event of refrigerant release. Consult manufacturer if in doubt.

The recovered refrigerant shall be returned to the refrigerant supplier in the correct recovery cylinder, and the relevant waste transfer note arranged. Do not mix refrigerants in recovery units and especially not in cylinders. If compressors or compressor oils are to be removed, ensure that they have been evacuated to an acceptable level to make certain that FLAMMABLE REFRIGERANT does not remain within the lubricant. The evacuation process shall be carried out prior to returning the compressor to the suppliers. Only electric heating to the compressor body shall be employed to accelerate this process. When oil is drained from a system, it shall be carried out safely.

---

## **(4) PRE-INSTALLATION PROCEDURES**

---

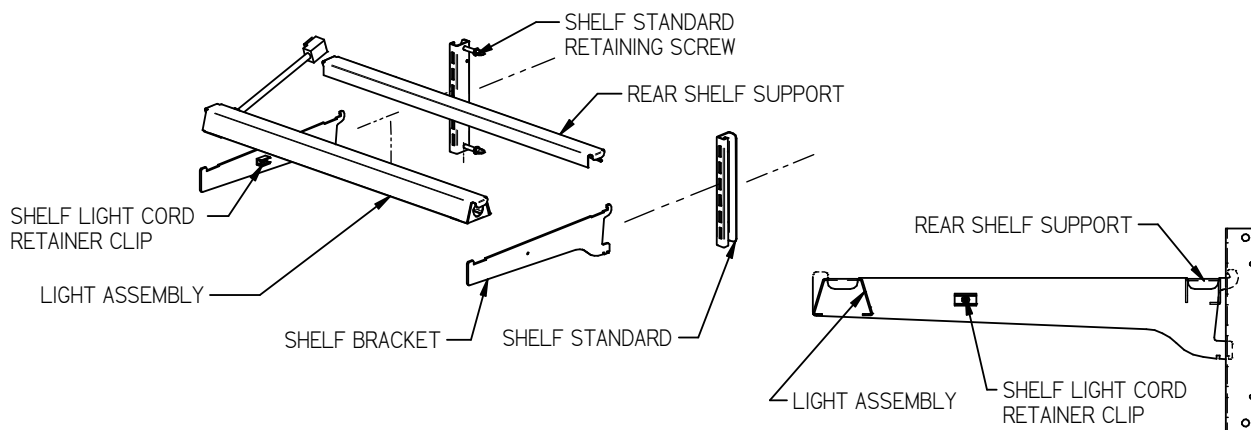
## (5) GENERAL ELECTRICAL & GROUNDING

## (6) REFRIGERATION OPERATION

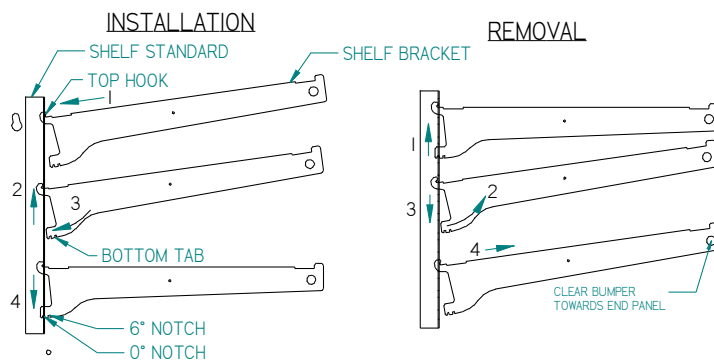
## (7) INSTALLATION INSTRUCTIONS

## (8) SHELVING INSTALLATION & REMOVAL

### 8.1 Shelf Brackets And Supports Installation

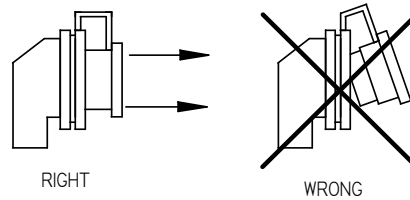


1. Turn the light switch to the off position.
2. Follow the instruction in the illustration below and insert (1) of the (2) shelf brackets in the desired shelf standard slot on one side of the case. Place the additional shelf bracket in the same shelf standard slot on the opposite end of case. The bracket with a shelf light cord retainer clip must be on the side with the shelf light receptacle. Install the brackets so they are spread apart farthest at the front of the case.



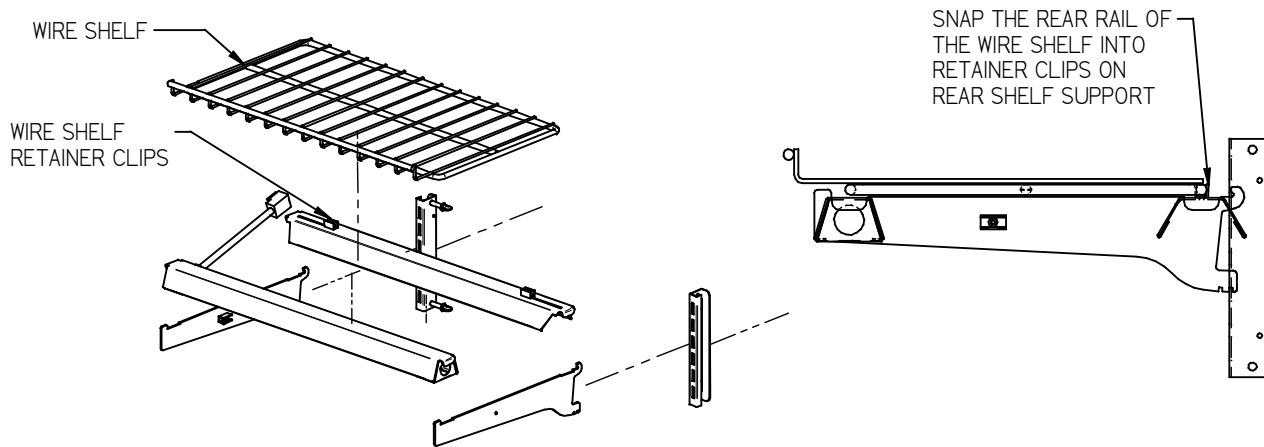
1. Place shelf bracket top hook into desired shelf standard slot.
  2. Lift shelf bracket top hook to allow shelf bracket bottom tab to clear shelf standard slot.
  3. Swing shelf bracket bottom tab into shelf standard slot.
  4. Place the desired shelf bracket notch of 0, 6, or 12 degrees onto bottom of shelf standard slot.
1. Lift shelf bracket up to allow shelf bracket notch to clear the bottom of shelf standard slot.
  2. Swing shelf bracket bottom tab out of shelf standard slot.
  3. Drop shelf bracket down to allow shelf bracket top hook to clear top of shelf standard slot.
  4. remove shelf bracket top from shelf standard slot.

3. Hang one end of the shelf light housing on the front notch of a shelf bracket and then the other end of the shelf light housing on the notch of the shelf bracket on the opposite end. Note: On models without shelf lights, use a shelf support instead of a shelf light housing.
4. Push shelf light cords into plastic shelf cord retainer clip located on the inside of the shelf bracket.
5. Remove the cap from the appropriate female light sockets. **Important:** Grip each side of cap firmly and wiggle and pull cap straight out of socket. Do not roll cap during removal. Incorrect removal of cap may cause damage to electrical connection



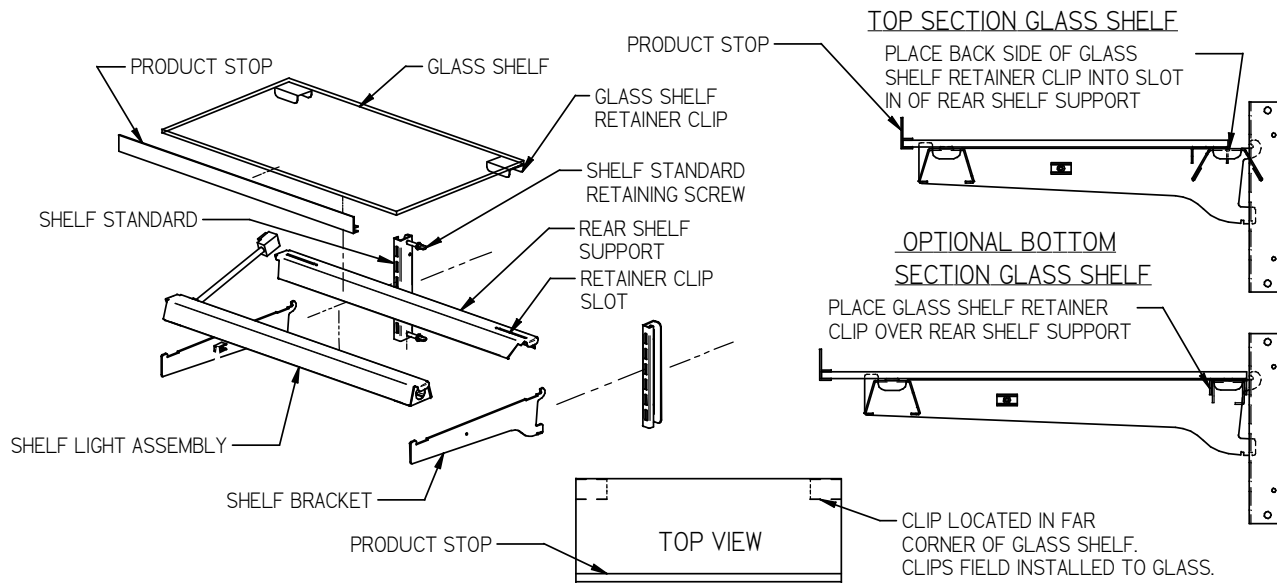
6. If the socket is not being used for a shelf light, the cap must be plugged into socket for entire light system to operate. On Models with the 5 pin shelf plug, this is necessary for the entire light system to operate. On models with the 3 pin shelf plug, this is necessary to prevent buildup and damage to the receptacle.
7. Plug in shelf light by aligning the male pins on the appropriate shelf light cord plugs with the female light sockets and push together. **IMPORTANT:** Do not roll plug during insertion.
8. Hang one end of the shelf support on to the rear notch of one shelf bracket and then on the rear notch of the shelf bracket on the opposite side.
9. Place supplied shelving onto shelf supports as outlined in the appropriate "Shelf Installation" section of this manual.
10. Removal of shelving is performed by following steps in reverse order.
11. The shelf standards are removable from case by removing the (2) shelf standard retaining screws holding them to the inside wall of case.

## Wire Shelves Installation



1. Install shelf brackets & shelf supports as described in Shelf Bracket & Supports Installation Section of this manual.
2. Place the front of wire shelf onto front shelf light or front shelf support.
3. Snap the rear of shelf into the clear plastic clips on rear shelf support.

## Glass Shelves Installation



1. For first time installation attach (2) glass shelf retainer clips to each glass shelf in location shown in illustration. Clean area of glass where glass shelf holder is to be located with rubbing alcohol and let air dry before installing shelf glass holder. Remove backing from tape located on flat side of glass shelf holder. Position the glass shelf holders in the (2) far corners of glass. Repeat for each glass shelf.
2. For first time installation attach (1) product stop to each glass shelf as shown in detail above. Align the product stop edge with the edge of the glass and push the "U" portion of the product stop on to glass lip across the entire front of glass.
3. Attach a clear bumper on both sides of the light housing top surface for the front of the glass to set on. This step may have already been performed at the factory for you.
4. Place front of glass shelf onto clear bumpers on front shelf light. (On front shelf support for models without shelf lights.)

5. If clear plastic clips were factory-installed on top of rear shelf support, remove and discard clear plastic clips.
6. For SSRC top section glass shelf set the rear of the glass shelf onto the rear shelf support so that the back side of the glass shelf retainer sets into the slot on the rear shelf support. For ESSRC top section glass shelf and all optional bottom section glass shelves, set the rear of the glass shelf onto the rear shelf support so that the back side of the glass shelf retainer straddles the rear shelf support.

---

---

## **(9) REAR DOORS**

---

---

---

---

## **(10) NIGHT CURTAIN (SSRC OPTION)**

---

---

---

---

## **(11) SECURITY NIGHT COVER (SSRC OPTION)**

---

---

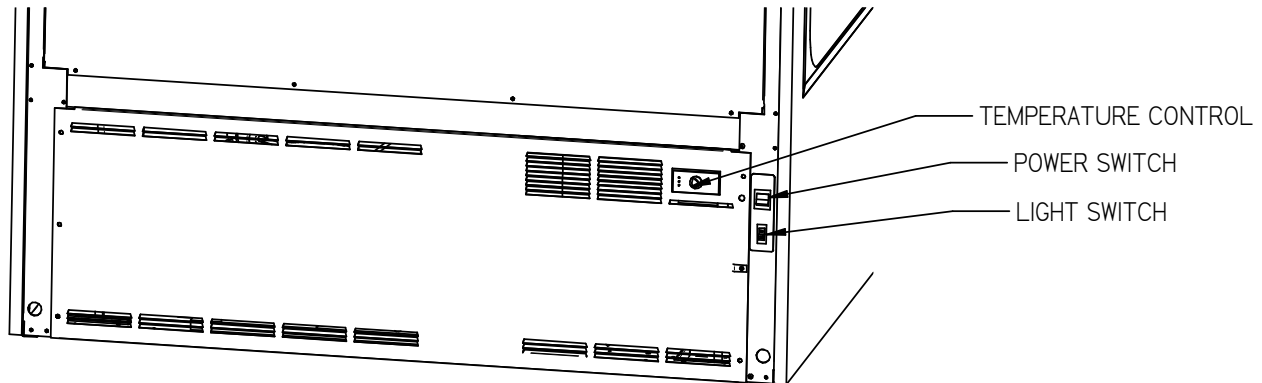
# (12) OPERATING INSTRUCTIONS



## NOTICE:

This refrigerated display case is designed to operate in a maximum environment of 80°F (23.9°C) and 55% relative humidity. Exceeding these limits will cause poor case performance and excessive sweating.

## 12.1 USER CONTROLS OVERVIEW



## 12.2 POWER SWITCH

The unit has a power switch that turns off power to the entire unit, including the condensate evaporator and the lights.

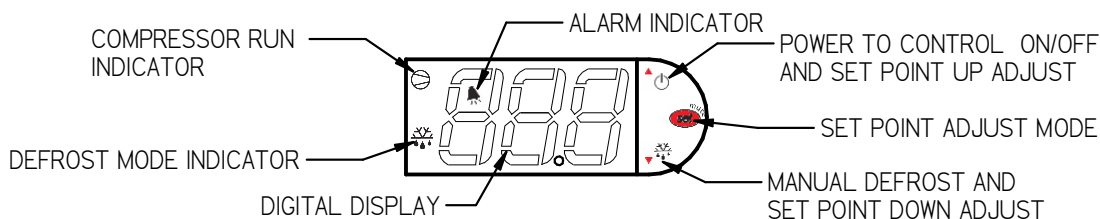
## 12.3 LIGHT SWITCH

The unit has a light switch that turns on and off the interior lights of unit.

## 12.4 ELECTRONIC TEMPERATURE CONTROL

Located in the rear grille of the display case, the temperature control allows the user to adjust the temperature of the display merchandiser to their needs.



### 12.4.1 Button And Display Overview





#### Button Overview





Press and hold this button for three seconds to turn system on (if off) or off (if on). Also used to adjust set point when in set point adjust mode

	Press to enter set point adjust mode, confirm set point changes, and mute alarms.
	Press and hold this button for three seconds to initiate a manual defrost (and cancel defrost if initiated), also adjusts set point down when in set point adjust mode





### 12.4.2 Powering On Control

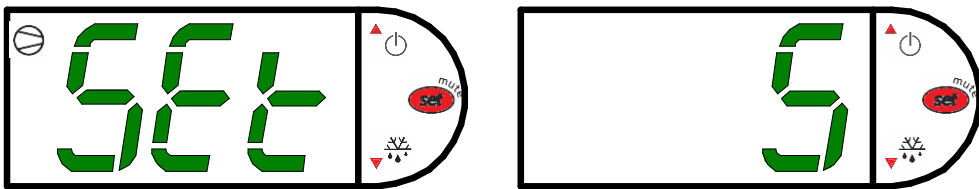
To turn refrigeration control power on, press and hold  for approx. three seconds. The display will read “On” while the button is depressed. When the control powers on, the display will read the current set point (a number “1” thru “9” ). The compressor run indicator  will illuminate on the display, meaning that the compressor is running. (Note: the control may already be in the on mode when shipped from factory).

To turn refrigeration control power to off, press and hold  for approx. three seconds. The display will read “Off” while the button is depressed. When the control powers off the display will flash back and forth between the relative current case temperature and “Off”. The compressor run indicator  will be off on the display. When refrigeration control is in the off-mode cabinet lights and evaporator fans will still operate, but the compressor will not turn on causing the case to gradually reach room temperature.







### 12.4.3 ADJUSTING THE SET POINT

The set point is what determines how cold the display case will hold food and beverage. To adjust the set point press and hold the  button approx. three seconds until the display begins to flash a number. Then press the use the  button to scroll number up (colder) or press the  button to scroll number lower (warmer). There are nine (9) available set points numbers, the higher the number of the set point, the colder the display case will run, with setting “9” being the coldest and setting “1” being the warmest. Once you have chosen your desired setting press the  button again to confirm your choice.




### 12.4.4 Entering Manual Defrost Mode

In order to initiate a manual, defrost press and hold the  button approx. three seconds. The control will read “dEF” while the button is being held. The defrost is initiated when the defrost mode indicator  illuminates on the display. The control display will then return to reading the case temperature. When the defrost mode indicator  turns off the defrost is complete and the compressor will turn back on illuminating the compressor run indicator  .



### 12.4.5 Error Codes

It is possible for error codes to be displayed on the control screen. In the event of a malfunction an alarm will sound and the alarm indicator  will be displayed on the display. An error code or codes will flash intermittently on the display. If there are multiple codes, the display will continuously cycle through them. The following photo shows error code “E0” as an example.



**Mute:** You may mute the alarm by pressing and releasing the wrench button. The red ringing bell and all error codes will still be displayed. When the fault is remedied the control will return to normal operation and will automatically clear the codes from the display.

- E0 = Air sensing probe - Open or shorted
- E1 = Evap. coil probe - Open or shorted

Error codes may be encountered if either the controller or the display case is malfunctioning. The following is a list of error codes that may be encountered.

**Table 1 - Error Codes and Resolutions**

Code	Description	Cause	Resolution
E0	Temperature probe error	Probe signal is interrupted or short-circuited	Check to ensure probe wires and quick disconnect are secure in control. Check probe resistance to table below. If 0 resistance is present check wiring insulation. If infinite resistance is present check for breaks in wiring (meter will likely read overload or very high in the mega-ohm range). Ensure that probes are wired per the wiring diagram provided. Replace probe if other remedies fail, or if probe resistance deviates from “ <b>Error! Reference source not found.</b> ” <b>Error! Reference source not found.</b>
E1	Defrost probe error	See E0	
EE	Unit parameter reading error	Operating conditions	Remedy abnormal operating conditions. The control is rated to operate in a range of 14 to 122°F (-10 to 50°C) and less than 90%RH non-condensing. Replace control if problem persists.
EF	Operating parameter reading error	See EE	

## 12.5 ELECTRONIC CONTROL OPERATION

This unit is equipped with an electronic temperature control. The control parameters are set at the factory and cannot be manually changed in the field. The pre set control parameters are listed on the chart in the Settings Chart below.

## Operation

The control uses two sensors, one located in the air stream and one located on the evaporator coil. The sensor located in the air stream is referred to as the temperature control sensor. The sensor located on the evaporator coil is referred to as the defrost probe.

The temperature control sensor is located on the plastic tub behind the evaporator coil to the left in the cold air stream. The sensor location is critical for proper operation on the unit. Do not move or relocate this sensor.

The coil sensor is strapped to the evaporator coil. This sensor location is critical for proper operation of the unit. Do not move or relocate this sensor.

The temperature control is set to cut in at 39°F (3.9°C). The Temp control cuts out at 26°F (-3.3°C) at the coldest setting "9" and 36°F (2.2°C) at the warmest setting "1".

See "**Error! Reference source not found.**" on page **Error! Bookmark not defined.** for more details on using the control.

## Defrost Cycle

The control is programmed to initiate defrost via two different methods. There are 3 programmed defrost cycles in the case which will initiate a defrost cycle every 8 hours. The unit does not have a time clock so the defrost cycles cannot be set for any specific time of day.

The unit also has an 'On demand' defrost feature that will initiate a defrost when the temperature differential between the evaporator temperature and the air temperature is more than 20°F (11.1°C) for 5 minutes after 30 minutes into the refrigeration cycle (e.g. if the air stream probe measures 42°F/5.6°C or greater and the defrost probe measures 20°F/-6.7°C or lower for five minutes). Once initiated the defrost cycle will terminate when evaporator coil sensor reaches 43°F (6.1°C).

If a manual defrost is required, one can be initiated by pressing and holding the down arrow for three (3) seconds. This is typically unnecessary and should only be performed if special circumstances require it.

## 12.6 INITIAL STARTUP

After all the checks outlined in the installation section of this manual have been made, the case is ready to be put into service. Turn on the Power at the breaker box and flip the Power Switch and Light Switch on unit to the on position. Also ensure that the control is powered on as described above in "**Error! Reference source not found.**".

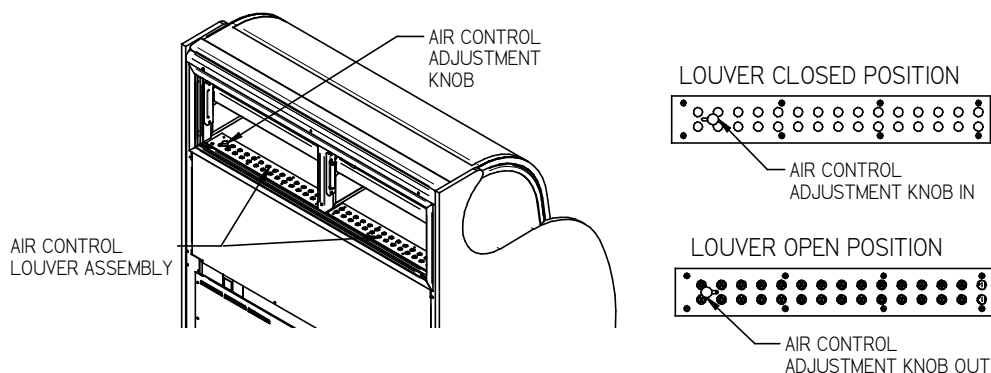
At start up from a warm unit, it is recommended that the temperature control is set to a warmer setting, such as 1. After the unit has gone through several cycles, adjust the control to a mid-range setting, then to a colder setting if necessary to maintain desired product temperature




### NOTICE:

This refrigerated display case is designed to operate in a maximum environment of 80°F (23.9°C) and 55% relative humidity. Exceeding these limits will cause poor case performance and excessive sweating.

## 12.7 TOP SECTION REFRIGERATION LOUVER CONTROL





The top section of this unit can be changed from a refrigerated section to a non-refrigerated section by opening or closing the louver. Unlock the louver position by loosening the control knob (turn control knob counter clockwise) and lock the louver position by tightening the control knob (turn control knob clockwise). Sliding the air control knob out will open the louver making the top section refrigerated and sliding the air control knob in will close the louver making the top section non-refrigerated (see illustration above). Even with the louver in the closed position the top section will be colder than ambient. If a refrigerated section is required for potentially hazardous food the air control louver must be completely open. A half open louver will not allow sufficient air flow to top section. The air control louver assembly can be placed in the case in either direction. The air control knob can either be facing the inside or the outside of the case. The side that the air control knob is facing will not affect case operation.

	<p><b>NOTICE:</b> If a top refrigerated section is required for potentially hazardous food the air control louver must be completely open. A half open louver will not allow sufficient air flow to top section.</p>
---	--

## 12.8 PLACING PRODUCT IN CASE

- Do not exceed 75 pounds of weight per shelf. Heavy product should be distributed evenly across the entire shelving area.
- Determine desired shelving location and angle before placing product in case. Product must be removed to readjust shelf location and angle.
- Do not overhang the front or rear of the shelves with product. Improper clearance in front and rear of the shelf will block the refrigerated airflow and will cause product loss.
- Do not block the slots along the front and rear air discharge slots. Covering these slots will block the refrigerated airflow and could cause product loss. Allow refrigerated models to run for at least two hours before placing pre-chilled (38°F or less) product into the case.
- Allow a minimum of 0.5" between the top of product and bottom of next shelf up to allow proper air flow around product. Also allow a minimum of 1 in between top of product and ceiling.
- Allow 1 in of space between product and end glass.
- Product on the rear of shelves and deck should allow for 1 inch of rear clearance to the interior back panel or discharge duct.

	<p><b>NOTICE:</b> Case must be stocked with pre-chilled product only. Product should be at or below 38°F (3.3°C) before adding it to the display case. Use a refrigerator to pull down product that is above 38°F (3.3°C). This display case is a temperature <i>holding</i> product only. It <i>will not</i> pull down product that is above the recommended temperature.</p>
---	--

	<p><b>NOTICE:</b> This refrigerated display case is designed to operate in a maximum environment of 80°F (26.7°C) and 55% relative humidity. Exceeding these limits will cause poor case performance and excessive sweating.</p>
---	--

---



---

## **(13) MAINTENANCE (LIGHTS)**

---



---

**IMPORTANT:** Read this Section of this manual located on page 6.  
 “REFRIGERATION WARNING & INSTALLATION-REPAIR-DECOMMISSIONING”  
 All refrigeration and electrical work must be performed by certified technicians.

### Top/Ceiling Light Bulb Replacement, LED

1. Turn power switch on rear of case to “off.”
2. Disconnect light cord barrel plug from receptacle in LED by pulling barrel plug straight out.
3. The LED is attached to clips mounted to the ceiling or top light housing. Disengage the LED from the clips.
4. Attach the new LED to the clips on the ceiling. Be sure that the LED is centered about the clips.

## **Shelf Light Bulb Replacement, LED**

1. Turn power switch on rear of case to "off."
2. Disconnect light cord barrel plug from receptacle in LED by pulling barrel plug straight out.
3. The LED is adhered to the front shelf support with double-sided tape. It may be necessary to use a razor blade to detach the LED from the top light housing. NOTE: TAKE CARE NOT TO DAMAGE THE FINISH ON THE FRONT SHELF SUPPORT.
4. Remove the remaining double-sided tape from the FRONT SHELF SUPPORT.
5. Apply a new layer of double sided tape to the new LED and adhere to the front shelf support. Locate new LED by centering between (2) .09 dia holes on the front shelf support.

---

---

## **(14) PERIODIC MAINTENANCE (CLEAN CONDENSER)**

---

---

### **CLEANING CONDENSER COIL (ALL SELF CONTAINED REFRIGERATED MODELS)**



#### **NOTICE:**

Condenser coil must be cleaned a minimum of twice per month to insure proper refrigeration performance and prevent compressor failure. In some environments, it may be necessary to clean more frequently. **FAILURE TO CLEAN CONDENSER COIL WILL VOID COMPRESSOR WARRANTY**

It is very important that the condenser coil is cleaned twice per month to ensure proper refrigeration performance and to prevent compressor failure. Failure to clean condenser coil will void condenser warranty.

1. Disconnect power to the unit
2. Remove the rear base panel located on the back of the unit by removing the rear panel retaining screws.
3. Carefully vacuum the front surface of condenser coil. Take care not to bend coil fins with vacuum cleaner nozzle. A brush attachment works well to prevent this.
4. Reinstall rear panel and retaining screws.

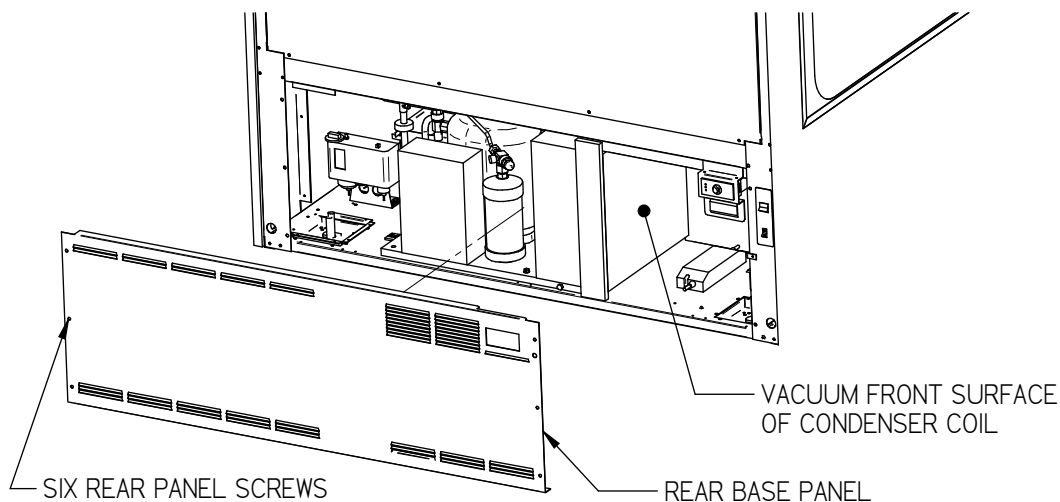


Figure 1 - Condenser Cleaning

---

---






## **(15) CLEANING INSTRUCTIONS**

---

---

### **15.1 DAILY CLEANING**

The case should be cleaned thoroughly, as described in the weekly cleaning section, before it is used for the first time.

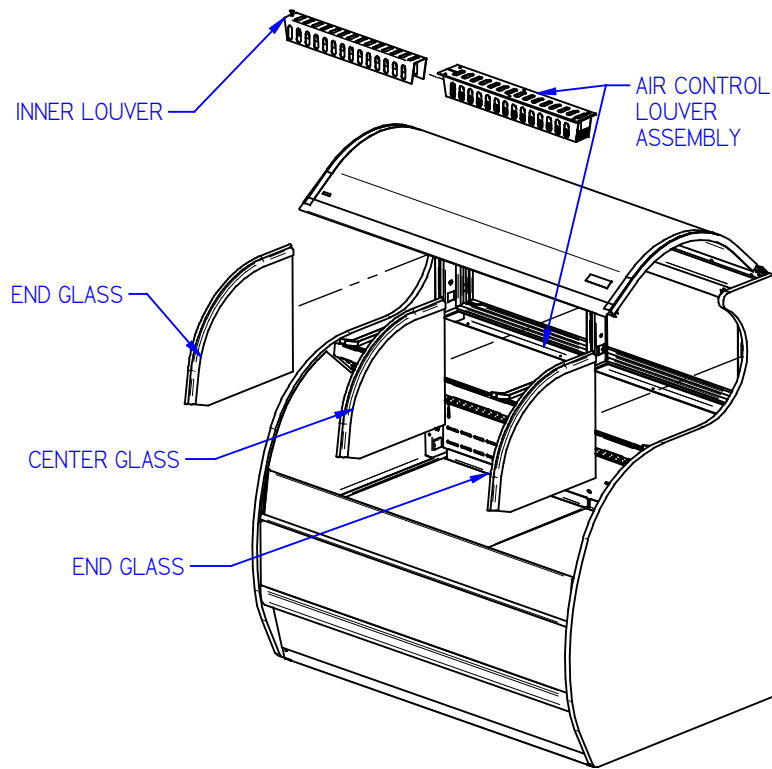
	<p><b>NOTICE:</b> Avoid splashing or soaking any electrical components with water to prevent electrical damage to the case.</p>
	<p><b>NOTICE:</b> Shut off lights and power switches and remove all product from case. Allow sufficient time for the unit to reach room temperature before proceeding with cleaning.</p>
	<p><b>NOTICE:</b> Remove all product from case before proceeding with cleaning procedure.</p>
	<p><b>NOTICE:</b> Acrylic front air deflector requires special washing procedures to prevent hazing and yellowing of material.</p>
	<p><b>NOTICE:</b> This case is not designed to be cleaned by flushing.</p>

**Note: For major spills or foreign material buildup perform the weekly cleaning instructions.**

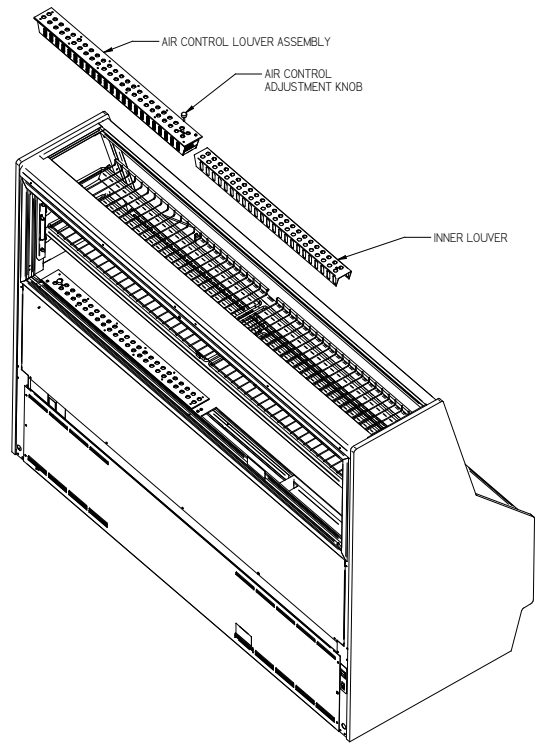
**Note: Detergents are not recommended and do not use abrasive cleaners or pads to prevent scratching of surfaces.**

1. Clean all foreign materials from the door opening if supplied.
2. Wipe complete interior of both the upper & lower areas of case using a damp cloth.
3. The remaining exterior surface should be wiped down using any ammoniated cleaners or soapy warm water.
4. **IMPORTANT:** Cleaning the clear acrylic plastic front air deflector require special care to prevent hazing and yellowing of material. Lightly dust (not wipe) surface with clean soft cloth. Then the surface can be wiped carefully with a soft, wet cloth or chamois. The cloth or chamois must be kept free of grit by frequently rinsing in clean water. Grease and oil can be removed with kerosene. Do not use window cleaners or kitchen scouring compounds. **DO NOT** use solvents such as Acetone, Benzene, Carbon Tetrachloride, and Lacquer Thinners. A spray wax such as Pledge or Maguire's polish can be applied and wiped with a clean soft cloth. The wax tends to fill in and hide small scratches.

## 15.2 WEEKLY CLEANING



SSRC



ESSRC

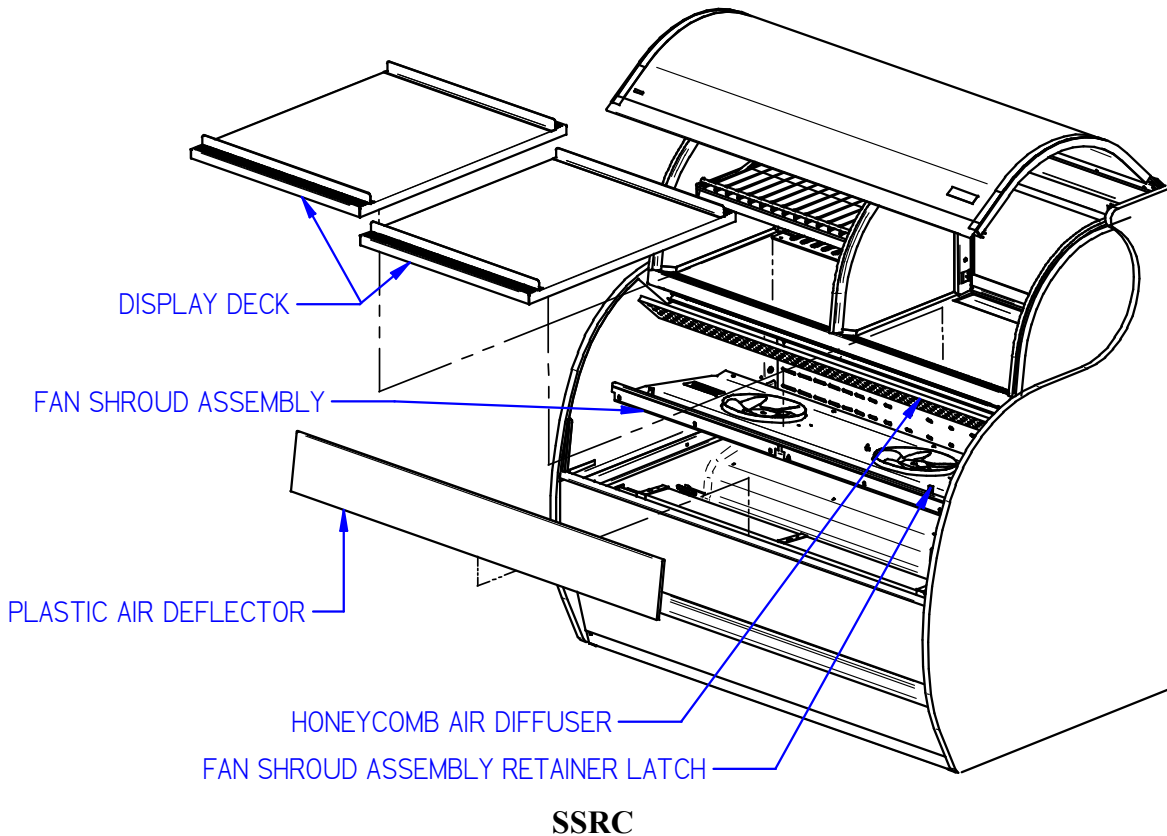
	<p><b>NOTICE:</b> Avoid splashing or soaking any electrical components with water to prevent electrical damage to the case.</p>
	<p><b>NOTICE:</b> Shut off lights and power switches and remove all product from case. Allow sufficient time for the unit to reach room temperature before proceeding with cleaning.</p>
	<p><b>NOTICE:</b> Remove all product from case before proceeding with cleaning procedure.</p>
	<p><b>NOTICE:</b> This case is not designed to be cleaned by flushing.</p>

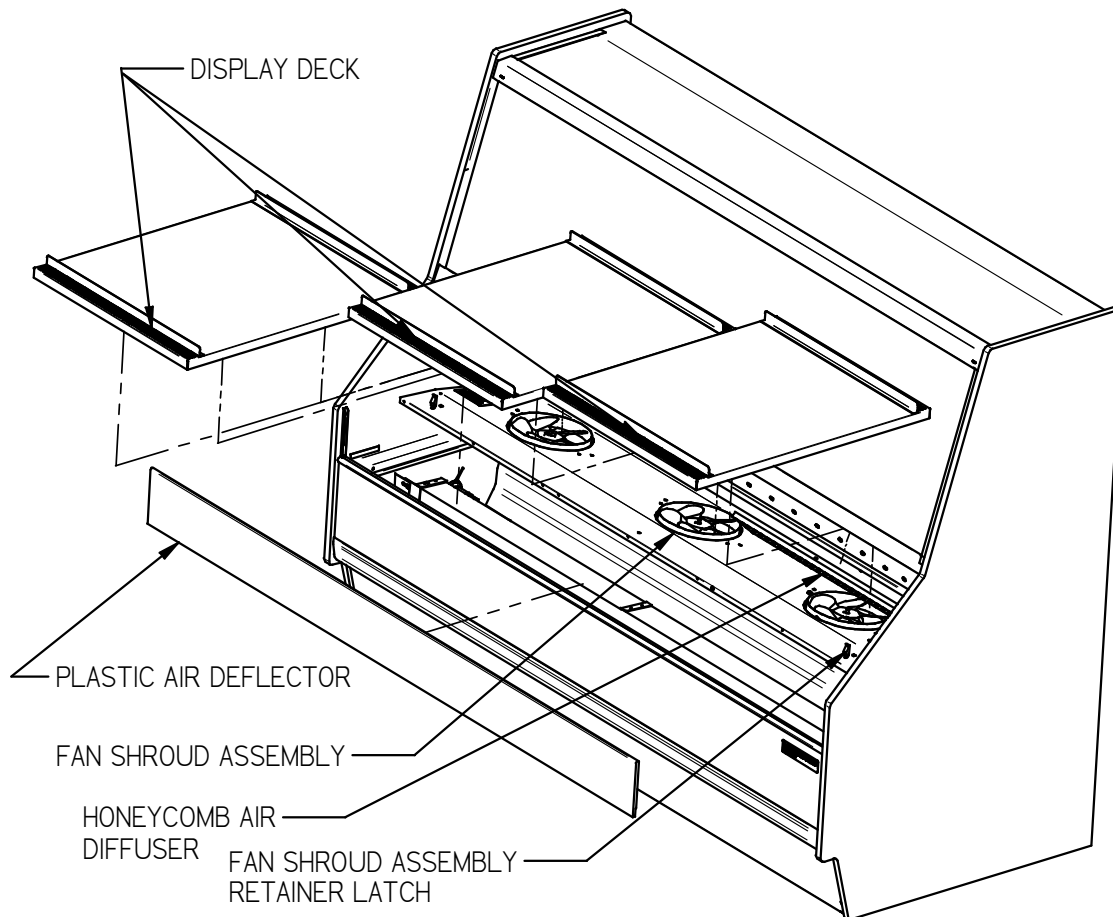
1. Remove both upper rear sliding doors as described in the "Door Removal" section of this manual. A 24" case will not require door removal.
2. Clean all foreign material from inner and outer rear door tracks and clean both sides of the doors using warm soapy water and a brush. Apply a light film of lubricant such as PAM to door tracks or hinges to make the doors operate smoother.
3. On SSRC cases only, the upper front glass can be tilted open to allow easier access to clean upper section interior. Tilt the front glass up by standing in front of the case and grabbing the handle at the

bottom of the glass and lifting the bottom of the glass upward. The glass can then be cleaned with common window cleaners.

4. On SSRC cases only, there may be middle glass panels that will require cleaning. With the upper front glass open, remove middle glass panels (where equipped) by pulling it forward out of the glass retainer. The glass can then be cleaned with common window cleaners.
5. Remove interior shelving from unit as described in the "Shelving Installation and Removal" section of this manual. Remove both shelf standards from interior of case by removing the (2) thumbscrew from top and bottom of each standard.
6. Lift and remove the air control louver assembly(s) from the inside rear of case. Unscrew the louver control knob and slide the inner louver out of louver assembly.
7. Clean all shelves, shelf support bars, shelf light housings, shelf brackets, and air control louver parts using warm soapy water and a brush. Rinse thoroughly and allow to dry.
8. Clean the entire interior of the case using warm soapy water. Wipe off all soapy water with a damp cloth and allow to dry. (DO NOT use solvents such as Acetone, Benzene, Carbon Tetrachloride, and Lacquer Thinners)
9. Reassemble all components in reverse order.

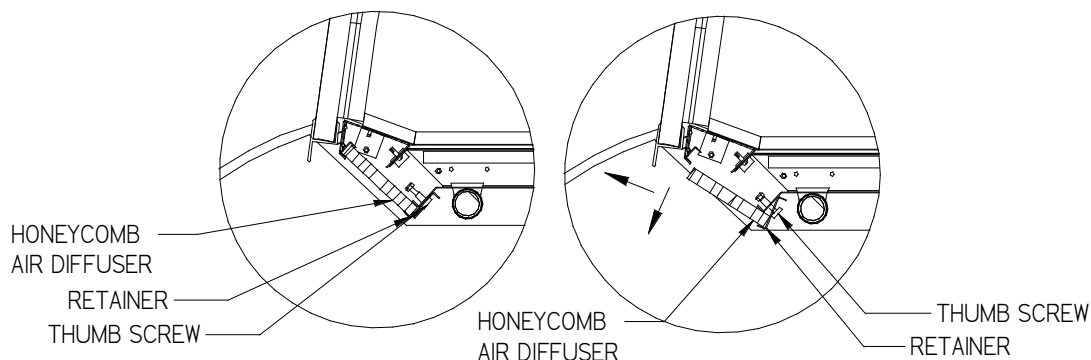
## **Weekly Bottom Section Interior Cleaning**





## ESSRC

1. If supplied with lower rear door option remove both inner & outer rear doors as described in the "Door Removal" section of this manual.
2. Clean all foreign material from inner and outer rear door tracks and clean both sides of the doors using warm soapy water and a brush. Apply a light film of lubricant such as PAM to door tracks to make the doors operate smoother.
3. If supplied; remove interior shelving or display steps from unit as described in the "Shelving Installation and Removal" section of this manual.
4. Clean all shelves, shelf support bars, shelf light housings, shelf brackets, shelf standards and display steps using warm soapy water and a brush. Rinse thoroughly and allow to dry.
5. Lift the display deck(s) up and out of evaporator tub.
6. Remove the fan shroud assembly. There are either (2) retainer latches or (2) thumbscrews located at each end at the front of the fan shroud. Lift the black tab up on each retainer latch or remove the (2) front thumbscrews. Detach the rear of the fan shroud from the case by removing the thumb screws from along the rear lip of the fan shroud. Lift the fan shroud assembly and reach in and unplug the evaporator fan motor cord(s). Lift the fan shroud assembly out of the tub.
7. Clean the display deck(s) using warm soapy water and a brush. Rinse thoroughly and allow to dry. Wipe off fan shroud assembly (do not rinse or submerge fan motors).
8. Clean the entire interior of the case using warm soapy water. Wipe off all soapy water with a damp cloth and allow to dry. (DO NOT use solvents such as Acetone, Benzene, Carbon Tetrachloride, and Lacquer Thinners)
9. Remove the honeycomb air diffuser(s) from upper air duct track. Loosen thumb screws on Retainer located behind diffuser. Retainer will drop down allowing diffuser to be pulled out of case.



10. Clean honeycomb air diffuser with warm soapy water and a brush. Rinse thoroughly and allow to dry.

11. Remove the clear plastic front air deflector by lifting it up and out of case. **IMPORTANT:** Cleaning the Acrylic plastic front air deflectors require special care to prevent hazing and yellowing of material. Lightly dust (not wipe) surface with clean soft cloth. Then the surface can be wiped carefully with a soft, wet cloth or chamois. The cloth or chamois must be kept free of grit by frequently rinsing in clean water. Grease and oil can be removed with kerosene. Do not use window cleaners or kitchen scouring compounds. **DO NOT** use solvents such as Acetone, Benzene, Carbon Tetrachloride, and Lacquer Thinners. A spray wax such as Pledge or Maguire's polish can be applied and wiped with a clean soft cloth. The wax tends to fill in and hide small scratches.

12. Reassemble all components in reverse order.

NOTE: Depending on the amount of usage and spillage of foreign material, some fasteners may have to be removed and parts disassembled to allow proper cleaning of the unit.

### **Weekly Exterior Cleaning**

1. Clean the front and end glass using any common window cleaner.
2. The exterior surfaces should be wiped down using any ammoniated cleansers or warm soapy water.

---



---

## **(16) SALE & DISPOSAL**

---



---



---



---

## **(17) SERVICE INFORMATION**

---



---

**CAUTION**  
RISK OF ELECTRIC SHOCK

DISCONNECT POWER  
BEFORE SERVICING UNIT

**Before any service work is performed on the case, make sure all power is disconnected to the case.**

To find a service company in your area, please visit our website at [www.federalindustries.com](http://www.federalindustries.com). There you can also find self-service tools to help you get the answers you need faster!

**For Warranty Service Requests & ALL Technical Support please contact:**

- Phone: (800) 356-4206 and choose the Tech Support/Warranty Option
- Email: [Service@federalind.com](mailto:Service@federalind.com)

**For Warranty Compressors please contact the Parts Department:**

- Phone: (800) 356-4206 and choose the Warranty Parts Option
- Email: [Parts@Federalind.com](mailto:Parts@Federalind.com)

Federal Industries has partnered with Parts Town for ALL Non-Warranty Part Identification, Pricing, Lead Times, Orders & Freight Quotes. Please contact Parts Town directly if you need parts:

- Website: **PartsTown.com**
- Email: [CustomerService@PartsTown.com](mailto:CustomerService@PartsTown.com)
- Phone: **833-809-8188**

**17.1 SPECIAL SERVICE INSTRUCTIONS**

**IMPORTANT:** Read this Section of this manual located on page 6. “REFRIGERATION WARNING &INSTALLATION-REPAIR-DECOMMISSIONING” All refrigeration and electrical work must be performed by certified technicians.

There are rare occasions when the refrigerant charge must be evacuated from a case in order to perform service work. In those situations, Federal Industries recommends that the refrigerant charge be evacuated into a recovery system to prevent the possibility of hydrofluoro olefin (HFO’s) from being released into the atmosphere.

If moisture or liquid is observed around or under a Federal Industries case, an immediate investigation should be made by qualified personnel to determine the source of the moisture or liquid. The investigation made should determine if the case is malfunctioning or if there is a simple housekeeping problem. Moisture or liquid around or under a case is a potential slip/fall hazard for persons walking by or working in the general area of the case. Any case malfunction or housekeeping problem that creates a slip/fall hazard around or under a case should be corrected immediately.

**17.2 PRE-SERVICE CHECKLIST**

You may avoid the cost and inconvenience of an unnecessary service call by first reviewing this checklist of frequently encountered situations that can cause unsatisfactory case performance.

	<p><b>CAUTION:</b>  <b>Before servicing case, turn off power at the main breaker of fuse box.</b></p>
---	---

**Case does not operate**

- Check for disconnected power supply.
- Check for tripped breaker or blown fuse.
- Check that power switch is on.

**17.2.1 Lights do not operate**

- Check that light switch is on.
- Shelf light: Check that shelf light cords are tight in the sockets and LEDs.
- Shelf light: Ensure all open sockets are filled with either shelf light cord plugs or dummy caps attached to socket.

**17.2.2 Case temperature too warm (product is exceeding 41°F)**

- Check that the cold air inlet and outlet slots are not blocked.
- If supplied with rear door option be sure that the rear doors are closed and tightly sealed
- Check for blocked or dirty condenser coil fins and clean them (see “0 CLEANING CONDENSER COIL\_ **(ALL SELF CONTAINED REFRIGERATED MODELS)**)

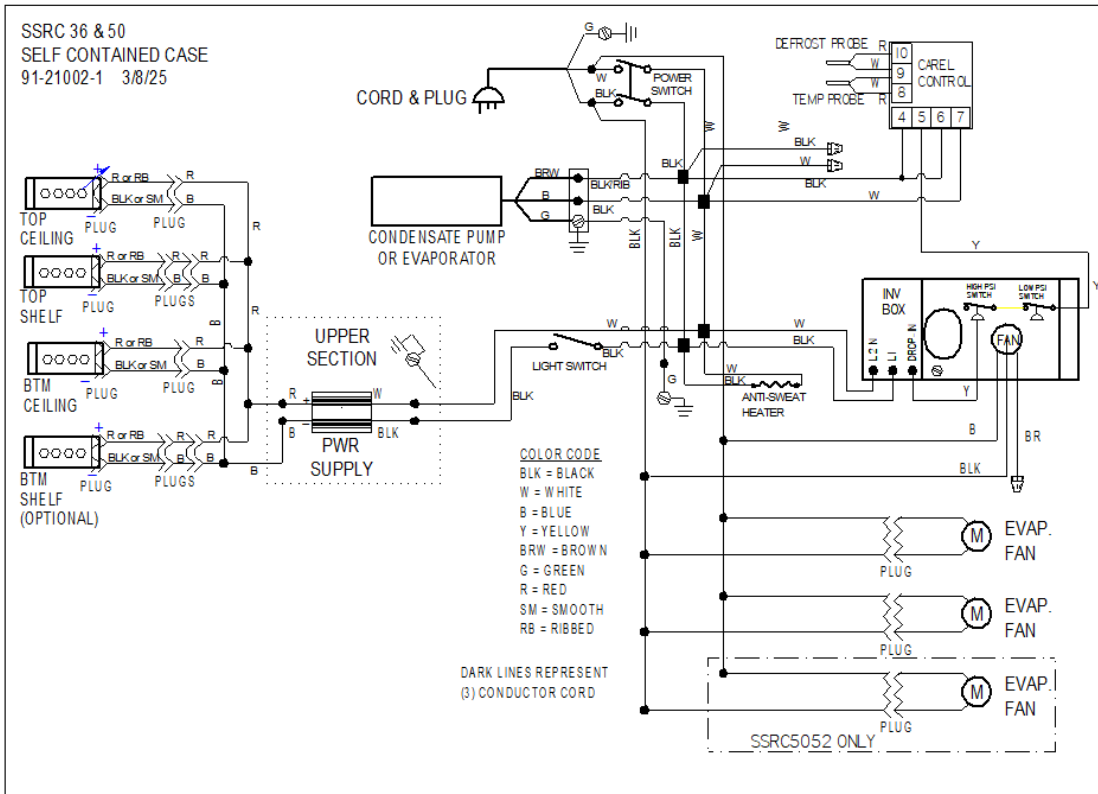
**NOTICE:**

Condenser coil must be cleaned a minimum of twice per month to insure proper refrigeration performance and prevent compressor failure. In some environments, it may be necessary to clean more frequently. **FAILURE TO CLEAN CONDENSER COIL WILL VOID COMPRESSOR WARRANTY**

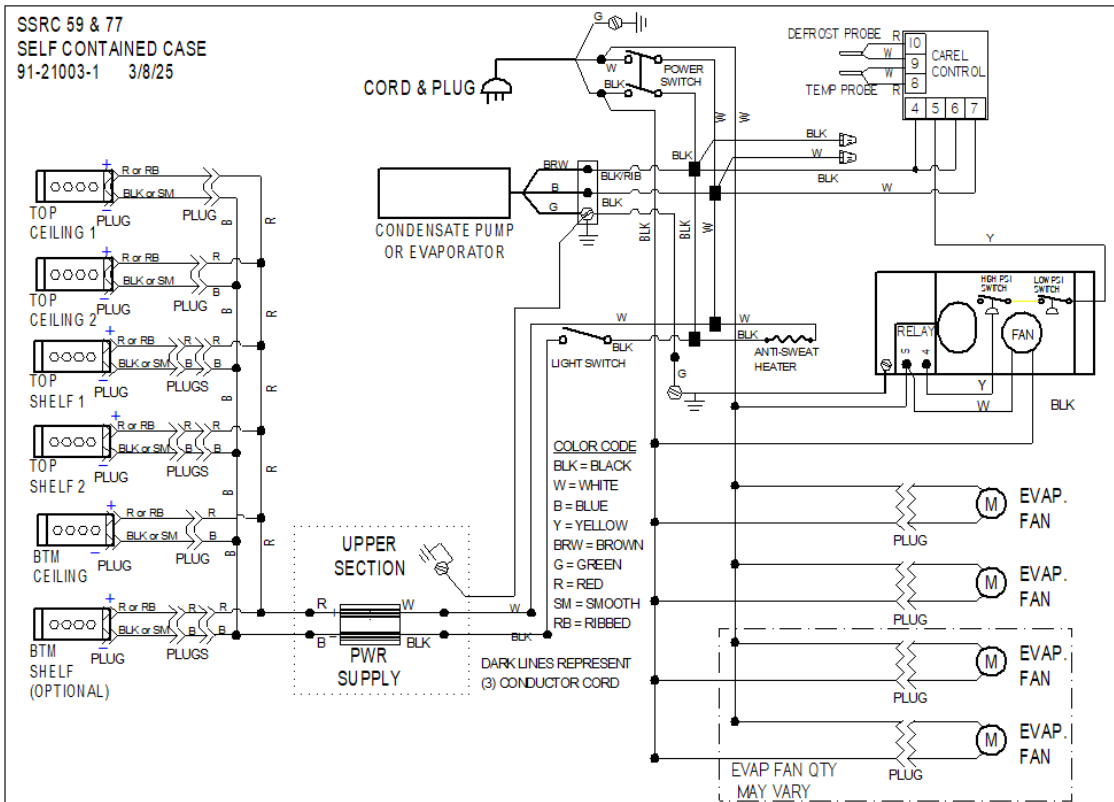
- Check that there is no paper or foreign material blocking the evaporator, and if so remove it.
- If the evaporator coil is blocked due to excessive frost, activate manual defrost mode on the electronic control.
- Check that the case is given the proper clearance behind the rear grille.
- Check that there is no air movement around case causing disruption to the air curtain. Such as ceiling fans, heating/AC air ducts, exterior doors, etc.

# (18) WIRING DIAGRAMS

## SELF CONTAINED SSRC3652, ESSRC3652, SSRC5052 & ESSRC5052



## SELF CONTAINED, SSRC5952, SSRC7752, ESSRC5052, ESSRC5952 & ESSRC 7752





# (19) REPLACEMENT PARTS

REFRIGERATION	SSRC3652 120V	SSRC5052 240V	SSRC5952 240V	SSRC7752 240V
Compressor (SC)	NA	NA	NA	NA
Condensing Unit (SC)	30-21754	30-21754	30-21762	30-21762
Evaporator Coil	33-21706	33-21707	33-21708	33-21709
TXV	32-21751	32-21750	32-21749	32-21749
Evaporator Fan Motor (SC)	41-21572-18	41-21572-16	41-21572-16	41-21572-16
Evaporator Fan Motor (remote )	41-17981	41-16025		
Evaporator Fan Blade	72-18534	72-17355	72-32506	72-17355
Thumb Screw Evaporator Housing to Coil	75-20554			
Thumb Screw Evaporator Housing to Tub	75-12275			
Condensate Base Fan Motor (remote)	41-11628			
Condensate Base Fan Blade (remote)	72-32507			
Temperature Control (SC)	32-19864-6	32-19865-6		
Temperature Control (Remote)	32-19864-6			
Temperature Probes	32-19866			
Solenoid Remote Refrigeration (Remote)	32-30141			
Condensate Pan Ass'y	SA5302-1	SA5302-2		
Condensate Pan Heater	40-19331	40-19392		
Condensate Drain Tube	SA4490-1	SA4490-2	SA4490-2 & SA4683	
Thermometer	32-13662			
ELECTRICAL	SSRC3652 120V	SSRC5052 240V	SSRC5952 240V	SSRC7752 240V
Light Switch	41-11066			
Power Switch	41-18186			
LED Power Supply	39-20986			
LED Top Light	42-20871-25C35	42-20871-20C35	42-20871-24C35	42-20871-30C35
LED Bottom Ceiling Light	42-20871-25C35	42-20871-42C35	42-20871-54C35	42-20871-72C35
LED Top Shelf Light	42-20871-25C35	42-20871-20C35	42-20871-24C35	42-20871-30C35
LED Bottom Shelf Light (Optional)	42-20871-25C35	42-20871-42C35	42-20871-54C35	42-20871-72C35
LED Top Light Wiring Harness	43-20860-1B			
LED Btm Ceiling Light Wiring Harness	43-20860-1B			
Shelf Light Receptacle – 3 Pin	43-20996-B			
Shelf Light Cord (Top&Btm Sect)	43-20862-3B			
Main Wire Harness	43-20993	43-20994		
Anti Sweat Heater (SC)	43-18491-1	43-18491-2	43-18491-3	43-18491-4
Anti Sweat Heater (remote)	43-18491-1	43-18491-5	43-18491-6	43-18491-7
Power Cord (Optional)	43-30818	43-17839	43-19090	

<b>PANELS &amp; GLASS</b>	<b>SSRC3652</b>	<b>SSRC5052</b>	<b>SSRC5952</b>	<b>SSRC7752</b>
Front Glass	50-18195-1	50-18195-2	50-18195-3	50-18195-4
Front Glass Clamp	81-18196-1	81-18196-2	81-18196-3	81-18196-4
Gas Cylinder	81-11522	81-11046	81-11047	81-11047
Glass End Clear	50-19349			
Glass End Reflective Left(Optional)	50-19349-L			
Glass End Reflective Right(Optional)	50-19349-R			
End Panel Ass'y Left (Black)	68-19348-L			
End Panel Ass'y Right (Black)	68-19348-R			
End Panel Ass'y Left (Color needed)	68-19348-1L			
End Panel Ass'y Right (Color needed)	68-19348-1R			
End Panel Ass'y Left (Stainless)	SA5167-L			
End Panel Ass'y Right (Stainless)	SA5167-R			
<b>SHELVING</b>	<b>SSRC3652</b>	<b>SSRC5052</b>	<b>SSRC5952</b>	<b>SSRC7752</b>
Shelf Top Wire Black (Top Section)	63-18213-1	63-18213-2	63-18213-3	63-18213-3
Shelf Wire Black (Optional)(Btm Section)	63-18213-4	63-18213-5	63-18213-6	63-18213-7
Glass Shelf (Top Section) (Optional)	52-18593-1	52-18593-2	52-18593-3	52-12604
Glass Shelf (Btm Section) (Optional)	52-18593-4	52-11214	52-11217	52-12034
Glass Shelf Retainer(Optional)	SA4091			
Shelf Bracket (Top Section)	67-16038-3A			
Shelf Bracket (Btm Section)	67-16038-1A			
Shelf Standard	M16522			
Step Riser (Btm Section)	SA4486-1	SA4486-2	SA4486-3	SA4486-4
<b>DOORS</b>	<b>SSRC3652</b>	<b>SSRC5052</b>	<b>SSRC5952</b>	<b>SSRC7752</b>
Rear Door Inner Clear Top Section	53-18209-1	53-18209-2	53-18209-3	53-18209-4
Rear Door Outer Clear Top Section	53-18210-1	53-18210-2	53-18210-3	53-18210-4
Rear Door Inner Refl. Top Section	53-18209-5	53-18209-6	53-18209-7	53-18209-8
Rear Door Outer Refl. Top Section	53-18210-5	53-18210-6	53-18210-7	53-18210-8
Rear Door Top Track(Top & Btm)	57-18518-1	57-18518-2	57-18518-3	57-18518-4
Rear Door Bottom Track (Top & Btm)	57-18519-1	57-18519-2	57-18519-3	57-18519-4
Rear Door Jamb(Top Section)	57-18199-1			
<b>Doors Rear Lower Thermoseal</b>	above parts listed for the lower anthony doors not available as replacement			
Door Track Frame (bottom section)	57-21538-1	57-21538-2	57-21538-3	57-21538-4
Door Inside Solid (bottom section)	53-21539-1	53-21539-2	53-21539-3	53-21539-4
Door Outside Solid (bottom section)	53-21540-1	53-21540-2	53-21540-3	53-21540-4
CatchDoor Inner Inside(Btm Section)(Opt)	M15356-2			
Catch Outer Inside(Btm Section)(Opt)	M15356-1			
Rear Door Inner Inside(Btm Section)(Opt)	SA4465-11	SA4465-12	SA4465-13	SA4465-14
Rear Door Outer Inside(Btm Section)(Opt)	SA4464-1	SA4464-2	SA4464-3	SA4464-4
<b>MISCELLANEOUS</b>	<b>SSRC3652</b>	<b>SSRC5052</b>	<b>SSRC5952</b>	<b>SSRC7752</b>
Duct Louver Ass'y (Top Section)	SA4467-1	SA4467-2	SA4467-3	SA4467-4
Deflector Front Clear (Btm Section)	15-18198-1	15-18198-2	15-18198-3	15-18198-4
Security Night Cover Panel (Optional)	M17218-1	M17218-2	M17218-3	M17218-4
Security Night Cover Latch (Optional)	66-11727			
Night Curtain	65-19300	65-19464	65-19458	65-19463

<b>REFRIGERATION</b>	<b>ESSRC5052 240V</b>	<b>ESSRC5952 240V</b>	<b>ESSRC7752 240V</b>
Compressor (SC)	NA	NA	NA
Condensing Unit (SC)	30-21754	30-21762	30-21762
Evaporator Coil	33-21707	33-21708	33-21709
TXV	32-21750	32-21749	32-21749
Evaporator Fan Motor (SC)	41-21572-16	41-21572-16	41-21572-16
Evaporator Fan Blade	72-17355	72-32506	72-17355
Latch Evaporator Housing to Coil	66-13640		
Condensate Pan Ass'y		SA5302-2	
Condensate Pan Heater (After 9/12)		40-19392	
Condensate Drain Tube	SA4490-2	SA4490-2 & SA4683	
Thermometer	32-13662		
<b>ELECTRICAL</b>	<b>ESSRC5052 240V</b>	<b>ESSRC5952 240V</b>	<b>ESSRC7752 240V</b>
Light Switch	41-11066		
Power Switch	41-18186		
LED Power Supply	39-20986		
LED Top Light	42-20871-42C35	42-20871-54C35	42-20871-72C35
LED Bottom Ceiling Light	42-20871-42C35	42-20871-54C35	42-20871-72C35
LED Top Shelf Light	42-20871-42C35	42-20871-54C35	42-20871-72C35
LED Bottom Shelf Light (Optional)		42-20871-54C35	
LED Top Light Wiring Harness	43-20860-1B		
LED Bottom Ceiling Light Wiring Harness	43-20860-1B		
Shelf Light Receptacle – 3 Pin	43-20996-B		
Shelf Light Cord (Top & Btm Sec)	43-20862-3B		
Main Wire Harness	43-20994		
Anti Sweat Heater (SC)	43-18491-2	43-18491-3	43-18491-4
Power Cord (Optional)	43-17839		
Wiring Diagram (SC)	91-21003		
<b>PANELS &amp; GLASS</b>	<b>ESSRC5052</b>	<b>ESSRC5952</b>	<b>ESSRC7752</b>
Front Glass	51-19107-5	51-19107-6	51-19107-7
Top Glass	51-19106-5	51-19106-6	51-19106-7
End Panel Ass'y Left (Black)	68-19146-L		
End Panel Ass'y Right (Black)	68-19146-R		
<b>SHELVING</b>	<b>ESSRC5052</b>	<b>ESSRC5952</b>	<b>ESSRC7752</b>
Shelf Top Wire Black (Top Section)	63-18213-11	63-18213-10	63-18213-9
Shelf Wire Black (Optional)(Btm Section)	63-18213-5	63-18213-6	63-18213-7
Glass Shelf (Top Section) (Optional)	52-19149-2	52-19149-3	52-19149-4
Glass Shelf (Btm Section) (Optional)	52-11214	52-11217	52-12034
Glass Shelf Retainer(Optional)	SA4091		
Shelf Bracket (Top Section)	67-16038-3A		
Shelf Bracket (Btm Section)	67-16038-1A		
Shelf Standard (Top Section)	M16522-2L / M16522-2R		
Shelf Standard (Btm Section)	M16522-2L / M16522-2R		
Step Riser (Btm Section)	SA4486-2	SA4486-3	SA4486-4
<b>DOORS</b>	<b>ESSRC5052</b>	<b>ESSRC5952</b>	<b>ESSRC7752</b>
Rear Door Inner Clear Top Section	53-18209-2	53-18209-3	53-18209-4
Rear Door Outer Clear Top Section	53-18210-2	53-18210-3	53-18210-4
Rear Door Inner Refl. Top Section	53-18209-6	53-18209-7	53-18209-8
Rear Door Outer Refl. Top Section	53-18210-6	53-18210-7	53-18210-8
Rear Door Frame - Top	SA4463-2	SA4463-3	SA4463-4
<b>MISCELLANEOUS</b>	<b>ESSRC5052</b>	<b>ESSRC5952</b>	<b>ESSRC7752</b>
Duct Louver Ass'y (Top Section)	SA4467-2	SA4467-3	SA4467-4
Deflector Front Clear (Btm Section)	15-18198-2	15-18198-3	15-18198-4
Security Night Cover Panel (Optional)	M17218-2	M17218-3	M17218-4
Security Night Cover Latch (Optional)	66-11727		
Night Curtain (Optional)	65-19464	65-19458	65-19463

**California Residents Only.**

 **WARNING**

**This product can expose you to chemicals including chromium which is known to the State of California to cause cancer and birth defects or other reproductive harm. For more information go to [www.P65Warnings.ca.gov](http://www.P65Warnings.ca.gov)**

