

E3227-1
Revised 8/26/19



The Signature of Quality®

INSTALLATION & OPERATIONS INSTRUCTIONS

ERR, ERSS, ERB, ERBSS COUNTER TOP
Self-Contained & Service & Self-Serve

KEEP THIS MANUAL FOR FUTURE REFERENCE

Engineering and technical data are subject to change without notice.

FEDERAL INDUSTRIES
Toll Free 1(800) 356-4206

215 Federal Avenue
WI Phone (608) 424-3331

Belleville, WI 53508
Fax: (608) 424-3234

CONTENTS

INTRODUCTION	3
WARNING LABELS & SAFETY INSTRUCTIONS	5
PRE-INSTALLATION PROCEDURES	6
Inspection For Shipping Damage	6
GENERAL ELECTRICAL & GROUNDING	6
INSTALLATION INSTRUCTIONS	7
Locating The Display Case.....	7
Removing Case From Shipping Skid & General Installation	7
Cleaning.....	7
<u>Refrigerated RCT Self Contained Model Installation</u>	8
Cabinet Preparation	8
Cord Options	8-9
<u>Refrigeration Installation (Refrigerated units)</u>	9
Self Contained Models	9
SHELVING INSTALLATION & REMOVAL	10
Shelf Brackets & Supports.....	10
Shelves and shelf light quantity.....	11
Wire Shelf Installation.....	11
DOOR REMOVAL INSTRUCTION	12
FRONT DOOR FRAME REMOVAL INSTRUCTION	12
OPERATING INSTRUCTIONS	13
Controls	13
Shelves.....	13
Placing Product Into Case.....	14
MAINTENANCE	15
Shelf Light Replacement	15
Top Light Replacement	15
PERIODIC MAINTENANCE	16
Cleaning Condenser Coil.....	16
CLEANING INSTRUCTIONS	16
Daily Cleaning.....	16
Weekly Cleaning	17-18
SERVICE INFORMATION	19
Pre-Service Checklist	19-20
Special Service Situations.....	20
SALE & DISPOSAL	21
Owner Responsibility	21
REFRIGERATION & ELECTRICAL DATA	21
WIRING DIAGRAMS	22
PARTS	23-24

INTRODUCTION

Thank you for purchasing a Federal Industries display case. This manual contains important instructions for installing and servicing the Curved Glass and Hi-Volume Refrigerated (including Dual Zone & Cold Deli) and Non-Refrigerated Display Cases. A repair parts list and wiring diagram are also included in the manual. Read all of these documents carefully before installing or servicing your case.

STORE CONDITIONS

The ERR cases are designed to operate in the controlled environment of an air-conditioned store. The store temperature should be below 75° and a relative humidity of 55% or less. At higher temperature or humidity conditions, the performance of these cases may be affected and capacity diminished. It is not uncommon in a newly constructed store for the temperature and humidity to be above design conditions. These excessive conditions may produce sweating in the case until the store is operational and the ambient environment is more desirable.

The cases must be located where it is not subjected to the direct rays of the sun, heating ducts, grills, radiator, or ceiling fans, nor should it be located near open doors or main door entrances. Also, avoid locations where there are excessive air movement or air disturbances. This will adversely affect the case and result in poor performance.



NOTICE

Read this manual before installing your case. Keep this manual and refer to it before doing any service on the equipment. Failure to do so could result in personal injury or damage to the case.



NOTICE

Installation and service of the electrical components in the case must be performed by a licensed electrician.

The portions of this manual covering components contain technical instructions intended only for persons qualified to perform electrical work.



DANGER

Improper or faulty hookup of electrical components in the case can result in severe injury or death.

All electrical wiring hookups must be done in accordance with all applicable local, regional, or national standards.

SERIAL NUMBER

Record the model and serial numbers of the case for easy reference. Always refer to both model and serial numbers in your correspondence regarding the case.

Case Model _____ Serial Number _____

Condensing Unit Model _____ Serial Number _____

The portions of this manual covering refrigeration and electrical components contain technical instructions intended only for persons qualified to perform refrigeration and electrical work.

This manual cannot cover every installation, use or service situation. If you need additional information, call or write us:

WARRANTY/TECHNICAL SERVICE DEPARTMENT

Federal Industries

215 Federal Avenue

Belleville, WI 53508

Toll Free (800) 356-4206 / WI Phone (608) 424-3331

WARNING LABELS & SAFETY INSTRUCTIONS



This symbol is the safety-alert symbol. When you see this symbol on your case or in the manual, be alert to the potential for personal injury or damage to your equipment.

Be sure you understand all safety messages and always follow recommended precautions and safe operating practices.



NOTICE TO EMPLOYERS

You must make sure that everyone who installs, uses, or services your case is thoroughly familiar with all safety information and procedures.

Important safety information is presented in this section and throughout the manual. The following signal words are used in the warning and safety messages:

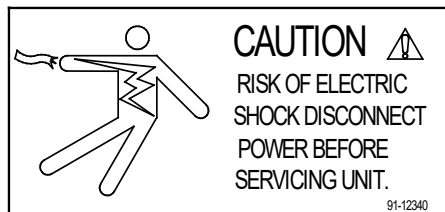
DANGER: Severe injury or death will occur if you ignore the message.

WARNING: Severe injury or death can occur if you ignore the message.

CAUTION: Minor injury or damage to your case can occur if you ignore the message.

NOTICE: This is important installation, operation, or service information. If you ignore the message, you may damage your case.

The warning and safety labels shown throughout this manual are placed on your Master-Bilt products case at the factory. Follow all warning label instructions. If any warning or safety labels become lost or damaged, call our customer service department at 1(800) 684-8988 for replacements.



This label is located on the back of the display case.



This label is located below the display pan.

PRE-INSTALLATION PROCEDURES

Inspection for Shipping Damage

You are responsible for filing all freight claims with the delivering truck line. Inspect all cartons and crates for damage as soon as they arrive. If damage is noted to shipping crates, cartons, or if a shortage is found, note this on the bill of lading (all copies) prior to signing.

If damage is discovered when the case is uncrated, immediately call the delivering truck line and follow up the call with a written report indicating concealed damage to your shipment. Ask for an immediate inspection of your concealed damage item. Crating material must be retained to show the inspector from the truck line.

GENERAL ELECTRICAL & GROUNDING



DANGER: Improper or faulty hookup of electrical components in the display case can result in severe injury or death.

- All models are supplied with a power cord that is properly sized to the amperage requirements of the case. See the electrical data plate located on the rear left interior of the case for the proper circuit size for each case.
- The cord is factory installed protruding from the bottom rear corner of the case (see the “Cord Options” section of this manual that pertains to your model case for alternate location.). If factory installed cord must be relocated for desired application the electrical work must be performed by a licensed electrician.
- A separate circuit for each display case is recommended to prevent other appliances on the same circuit from overloading the circuit and causing malfunction.
- All electrical wiring hookups must be done in accordance with all applicable local, regional, or national electrical standards

INSTALLATION INSTRUCTIONS

General Display Case Location

The case must be located where it is not subjected to the direct rays of the sun, heating ducts, grills, radiators, or ceiling fans, nor should it be located near open doors or main door entrances.

Removing Case From Shipping Skid and General Installation



CAUTION: Do not push against the top glass, front glass, ends, doors or door frames when removing the case from the skid or moving the case. Case damage or glass breakage could result.

1. Remove crate top and sides and note missing or damaged items as explained in the pre-installation procedures outlined above.
2. Move the case as near as possible to the final location and before removing it from the shipping skid.
3. Remove the (8) screws that secure the case to the shipping skid.
4. Prepare cabinet according to instructions in this section that pertain to your model.
5. Lift the case off of skid and into required position. Only lift the case from the lifting/shipping brackets located on each end of the case
6. Fasten each case to cabinet with the (2) #12 screws supplied.
7. Rout electrical cord according to instructions in this section that pertain to your model.
8. Case must be sealed to the counter using a NSF listed sealant.

Cleaning

For initial setup, clean the case as outlined in the “Weekly Cleaning” section of this manual.

Refrigerated ERR Self Contained Models

Cabinet Preparation

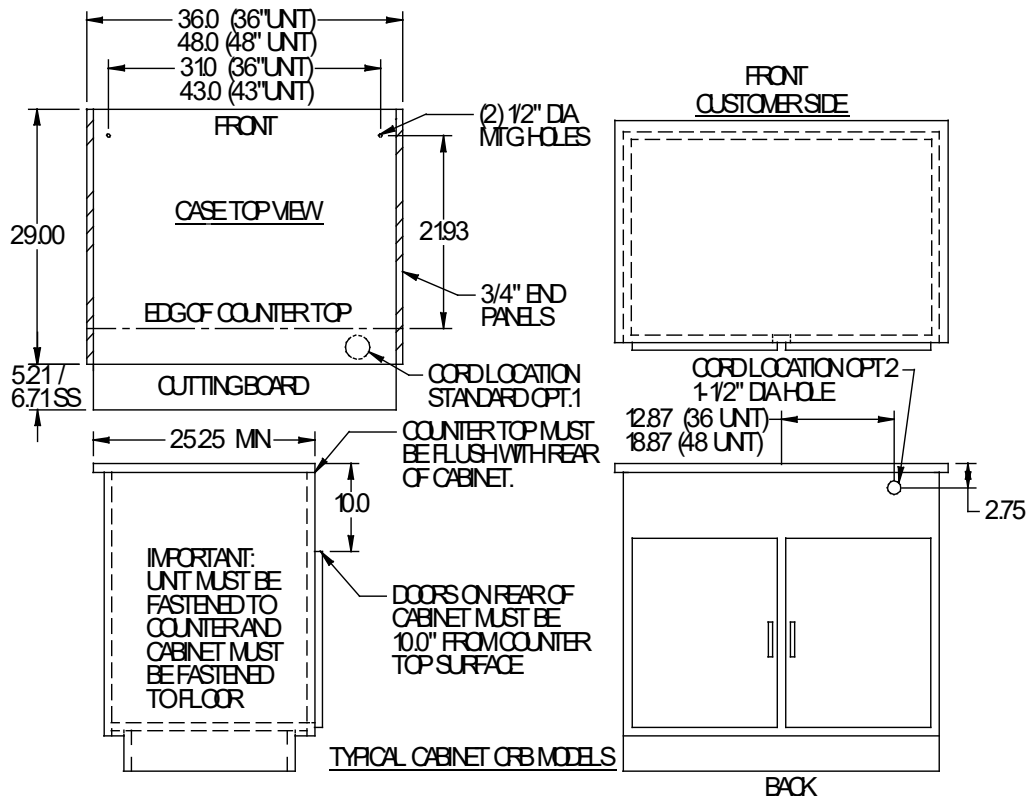
The ERR Self Contained models have a large condenser compartment hanging from the rear of the unit that contains the condenser/condensate evaporator unit. This compartment hangs off the rear edge of the counter. The rear of the counter must be open to allow space for this compartment. The countertop top should be flush with countertop back and the first top 8" of cabinet back must be flat with no doors.



DANGER: Case must be fastened to counter and counter must be fastened to floor.

IMPORTANT: The condenser air inlet and discharge louvers are located in the rear of the case. Do not block these louvers and do not locate them near a source of heat. Clearance of 8" minimum must be maintained for condenser air exchange.

(2) 1/2" dia. case fastening holes will need to be drilled through the counter top surface to attach case to counter with 1/4" X 2" screws provided. Use the diagram below for hole placement location.



CORD OPTIONS

CORD OPTION 1: The electrical cord is shipped from the factory protruding from the 2-3/4" hole located in the bottom rear corner of the condensing compartment and does not require a hole to be drilled into the cabinet. (You may need to reach up into 2-3/4" hole to retrieve cord.)

CORD OPTION 2: The power cord can also be allowed to drop into counter interior space. This option does not require any rewiring of the case, but does require a hole to be drilled into the back of cabinet.

1. Before placing the case onto the counter remove the (6) screws holding the condenser cover and remove the condenser cover.

2. There is a 2-3/4" hole in the lower corner of the compartment and a 2-3/4" hole plug in the compartment back. Remove the 2-3/4" plug from the back hole and place it into the bottom hole.
3. Install and fasten the case onto the counter.
4. Drill a 1-1/2" hole through the counter back in the location of the 2-3/4" hole for power cord to be dropped into cabinet compartment.
5. Reinstall the condenser cover and the (6) screws.

OPTON 3: An electrical cord connection hole is provided in the rear control panel next to the controls. A 1-1/2" dia hole through the counter is not required for this option. **NOTE:** Only a licensed electrician must perform the electrical work required to move the cord to this optional position.



DANGER: Electric shock hazard. Do not operate unit with panels removed.

1. Before or after the case has been installed onto the counter remove the (6) screws holding the condenser cover and remove the condenser cover.
2. Remove the (4) screws holding the rear frame panel located under the door track. Loosen the (4) screws holding the cutting board under each end of the cutting board. Tilt and lift the rear panel out from behind the cutting board.
3. Remove the 7/8" hole plug located next to the controls in the control panel. Disconnect power cord connections and move cord and cord strain relief from bottom hole in frame channel to the 7/8" hole in the control panel. Reconnect power cord and plug bottom in frame channel with the 7/8" hole plug removed from the control panel.
4. Reinstall the condenser cover and the rear frame panel and retighten the cutting board mounting screws.

Refrigeration Installation

Self Contained Models

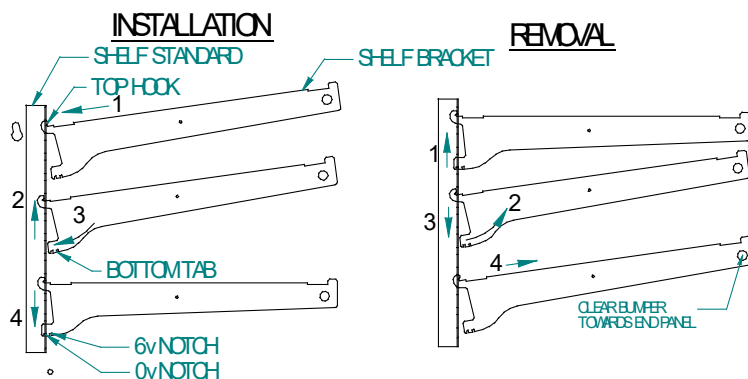
The self-contained models built prior to 12/1/19 are shipped from the factory with a completely operational 134A refrigeration system and require no modifications or adjustments upon installation.

Self-contained models built after 12/1/19 are shipped from the factory with a completely operational 513A refrigeration system and require no modifications or adjustments upon installation.

SHELVING INSTALLATION & REMOVAL

Shelf Brackets and Supports

1. Turn the light switch to the off position. Remove rear doors as described in the “Rear Door Removal” section of this manual to allow access to interior of case.
2. For first time installation, it may be necessary to attach the clear plastic clips to only the shelf brackets located on the side of the shelf light cord. Use the 6-32 x ¼ flat head screws supplied with unit to attach clear plastic clips to the 1/8 hole on the inside of the shelf brackets. It may also be necessary to attach the clear bumper to the outside end towards the side glass of each shelf bracket. The bumper prevents damage to the end glass. These steps may have already been performed at the factory for you. Insert a longer bottom shelf bracket in the desired shelf standard slot on one side of case (bumper side towards end glass). Follow the instruction in the illustration below. Place the additional longer bottom shelf bracket in the same shelf standard slot on the opposite end of case. Repeat for shorter top shelf tier.



- | | |
|--|--|
| <ol style="list-style-type: none"> 1. Face shelf bracket top hook into desired shelf standard slot. 2. Lift shelf bracket top hook to allow shelf bracket bottom tab to clear shelf standard slot. 3. Swing shelf bracket bottom tab into shelf standard slot. 4. Place the desired shelf bracket notch of 0, 6, or 12 degrees onto bottom of shelf standard slot. | <ol style="list-style-type: none"> 1. Lift shelf bracket up to allow shelf bracket notch to clear the bottom of shelf standard slot. 2. Swing shelf bracket bottom tab out of shelf standard slot. 3. Drop shelf bracket down to allow shelf bracket top hook to clear top of shelf standard slot. 4. remove shelf bracket top from shelf standard slot. |
|--|--|

3. Hang one end of shelf light housing on the front notch of a shelf bracket and then the other end of shelf light housing on the notch of the shelf bracket on the opposite end. Repeat for each additional shelf tiers. NOTE: On models without shelf lights, use a shelf support instead of a shelf light housing.
4. Push shelf light cords into clear plastic clip located on inside of shelf brackets.
5. Remove the cap from the appropriate female light sockets. If socket is not being used for a shelf light, the cap must be plugged into socket for entire light system to operate. NOTE: Grip each side of cap firmly and wiggle and pull cap straight out of socket. Do not roll cap during removal.
6. Plug in each shelf light by aligning the male pins on the appropriate shelf light cord plugs with the female light sockets and push together. NOTE: Do not roll plug during insertion.
7. Hang one end of the shelf support on to the rear notch of one shelf bracket and then on the rear notch of the shelf bracket on the opposite side. Repeat for additional shelf tiers.
8. Place supplied shelving onto shelf supports as outlined in the appropriate “Shelf Installation” section of this manual.
9. On units with sliding rear doors, re-install both rear doors by lifting top of door into top track and swinging bottom of door onto bottom track. Install door labeled “inner door” first on inner track and door labeled “outer door” second on outer track.

Shelves and shelf light quantity

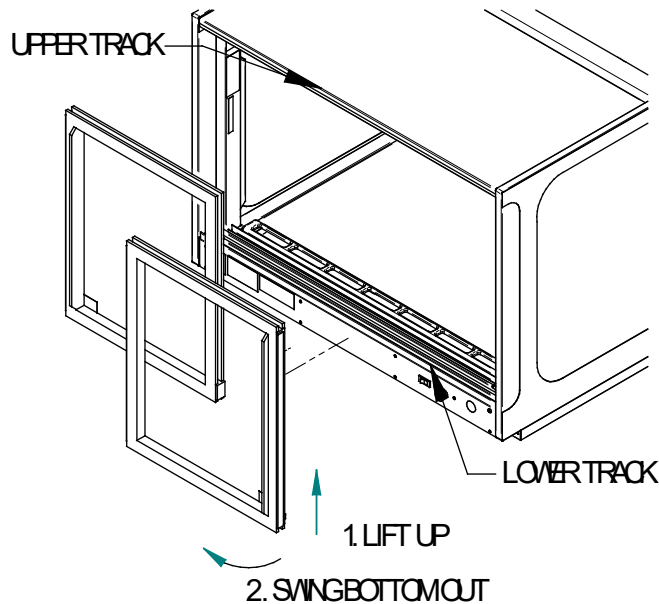
It is not required that all shelves and shelf lights supplied with each case are used. The quantity of shelves and shelf lights can be tailored to your specific needs. If the supplied quantity of shelves and shelf lights are not required, cap unused female socket located in interior of the case mullion with caps supplied. Failure to do so will prevent entire lighting system from operating.

Wire Shelves Installation

1. For first time installation, it may be necessary to attach the clear plastic clips to each end of the front light housing. Use the 6-32 x ¼ flat head screws supplied with unit to attach clear plastic clips to the 1/8 hole on each side of front light housing. This step may have already been performed at the factory for you. Repeat for each front light housing
2. With rear sliding doors removed, place large front bottom wire of wire shelf into shelf clip.
3. Position the rear of shelf onto the rear shelf support.
4. Repeat 2 & 3 for each tier.

REAR DOOR REMOVAL INSTRUCTIONS

ALL SERVICE CASES & SELF SERVE



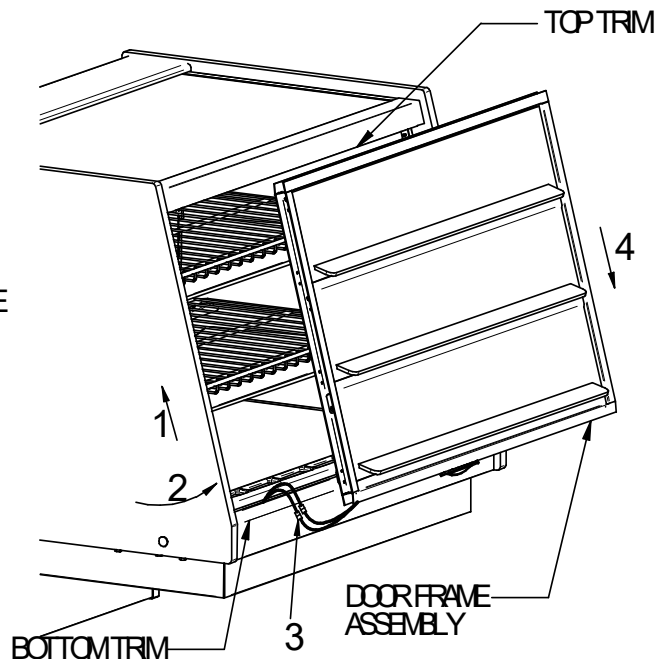
1. Start with the outer door and lift the door upward until the bottom edge of door clears the lower track and then swing the bottom of the door outward and down out of upper track.
2. After the outer door is removed repeat the procedure for the inner door.
3. Reverse this procedure for door reinstallation. The doors are not interchangeable.

Note: T Doors are not interchangeable and they must be replaced in the same location that they were removed from.

FRONT DOOR FRAME REMOVAL INSTRUCTIONS

IMPORTANT: DISCONNECT POWER TO CASE BEFORE REMOVING FRONT DOOR FRAME FROM CASE

1. LIFT DOOR FRAME ASSY UP ALLOWING IT TO SLIDE UNDER THE TOP FRONT TRIM UNTIL THE BOTTOM OF FRAME CLEARS THE LOWER TRIM
2. SWING THE BOTTOM OF FRAME OUT FROM OPENING
3. DISCONNECT WIRE CONNECTORS FROM BOTTOM OF DOOR
4. SLIDE THE TOP OF FRAME ASSEMBLY DOWN OUT FROM UNDER TOP TRIM



OPERATING INSTRUCTIONS

Controls

Light Switch

This switch controls the power to the lighting circuit. The switch rocker is red in the “on” position, black in the “off” position.

Temperature Control

This controls the refrigerated side by cycling the compressor/condensing unit. It has an “off” position and the coldest setting when the knob is set all the way in the clockwise position. Set this control at the lowest setting possible, while maintaining desired case temperature.

Shelves

Each display is furnished with shelves that are adjustable up and down and can be tilted in two angular positions. See “Shelving Installation & Removal” section of this manual for proper installation, adjustment and removal of shelving.

Placing Product into Case

- Do not exceed 100 pounds of weight per shelf. Heavy product should be distributed evenly across the entire shelving area.
- Determine desired shelving location and angle before placing product in case. Product must be removed to readjust shelf location and angle.
- Do not overhang the front of wire shelves with product. Product may overhang rear of shelf, but allow a minimum of 1-1/2" between product and rear door. Improper clearance in front and rear of shelf will block the refrigerated airflow and could cause product loss.
- Do not block the slots along the front or rear of the case display pan. Covering these slots will block the refrigerated airflow and could cause product loss.
- The display pan is removable for cleaning and can become dislodged in shipment. To ensure proper airflow and performance of the case, make sure that the display pan is pushed completely down into evaporation tub. Check that the pan is installed properly before placing product the display pans.
- Allow refrigerated models to run for at least two hours before placing pre-chilled product into unit. Turn temperature control to the lowest possible position that maintains required interior cabinet temperature.

-CASE SHOULD BE STOCKED WITH PRE-CHILLED PRODUCT ONLY.

ATTENTION:

Refrigerated display cases are designed to operate in a maximum environment of 75 DEG. F and 55% relative humidity. Exceeding these limits could cause poor case performance and sweating of glass panels.

MAINTENANCE

Shelf Light Bulb Replacement

1. Remove both rear doors as described in the “Door Removal” section of this manual.
2. Remove shelving from unit through rear door opening as described in the “Shelving Installation and Removal” section of this manual.
3. Unplug appropriate light housing cord from socket and remove light fixture from unit through rear door opening.
4. Remove the plastic lens. Starting at one end of the light, push in on the topside of plastic lens until the plastic lens clears the light fixture housing and peel the lens away from the fixture housing edge.
5. The shelf light fixture uses a spring-loaded socket at one end. To remove the bulb, push the bulb towards the spring-loaded socket until the opposite ends drops out of the socket.
6. Reinstall new bulb in the same manner as described in the Bulb Removal Procedure. Be sure bulb is secure in bulb receptacles.

Note: Be sure to use a direct equivalent to the original bulb.

Top Light Bulb Replacement

1. Remove both rear doors as described in the “Door Removal” section of this manual.
2. Remove shelving from unit through rear door opening as described in the “Shelving Installation and Removal” section of this manual.
3. Remove the (3) top light lens retaining screws along the top frame.
4. Peel the light housing out from top frame across the entire length of light lens.
5. To remove bulb from top light housing, grip the bulb receptacle end caps at each end of bulb. Pull the bulb receptacle end caps straight down. Once bulb and bulb receptacle end caps are removed from top light housing remove the bulb receptacle end caps from end of bulb.
6. Reinstall new bulb in the same manner as described in the Bulb Removal Procedure. Be sure bulb is secure in bulb receptacles. Note: Be sure to use a direct equivalent to the original bulb.
7. Reinstall top light lens and lens retaining screws

PERIODIC MAINTENANCE

Cleaning Condenser Coil

It is very important that the Condenser coil is cleaned on a monthly basis to insure proper refrigeration performance and to prevent compressor failure.

Self Contained Refrigerated Units

1. Disconnect power to the unit.
2. Remove the condenser cover located on the rear of the condenser compartment by removing the (6) condensing cover retaining screws.
3. Carefully vacuum the front surface of condenser coil. Take care not to bend coil fins with vacuum cleaner nozzle.
4. Reinstall condenser covers and condenser cover retaining screws.

CLEANING INSTRUCTIONS

Daily Cleaning

The case should be cleaned thoroughly, as described in the weekly cleaning section, before it is used for the first time.



NOTICE: Avoid splashing or soaking any electrical components with water to prevent electrical damage to the case.



NOTICE: Shut off lights and power switches and remove all product from case. Allow sufficient time for the unit to reach room temperature before proceeding with cleaning.



NOTICE: Remove all product from case before proceeding with cleaning procedure.

SELF SERVE LIFT UP DOOR MODELS



NOTICE: Acrylic lift up front door on Self Serve models require special washing procedures to prevent hazing and yellowing of material. Read Self Serve Lift Up Doors cleaning procedure carefully.

Note: For major spills or foreign material buildup perform the weekly cleaning instructions.

1. Clean all foreign materials from the door opening.
2. Wipe complete interior of case using a damp cloth.
3. Clean both sides of the doors and interior and exterior of the front glass using any common window cleaner.

Weekly Cleaning

This procedure is recommended on a weekly basis. It may need to be performed more often if necessary to maintain a clean, sanitary case. The case should be cleaned to this procedure before using the first time.



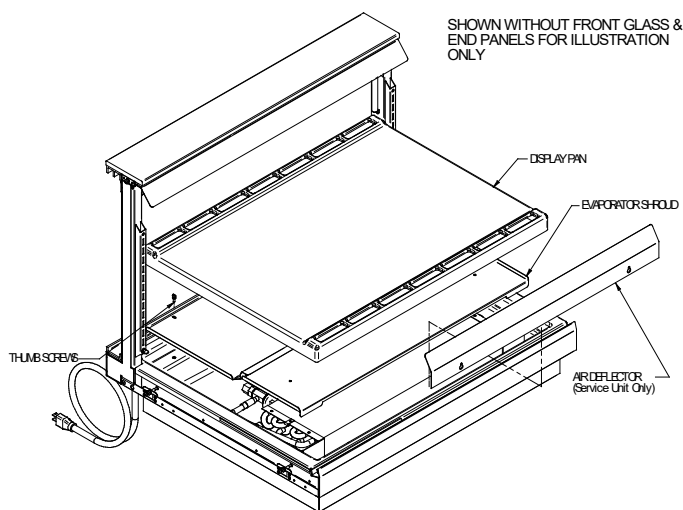
NOTICE: Avoid splashing or soaking any electrical components with water to prevent electrical damage to the case.



NOTICE: Shut off lights and power switches and remove all product from case. Allow sufficient time for the unit to reach room temperature before proceeding with cleaning.



NOTICE: Remove all product from case before proceeding with cleaning procedure.



1. Remove both rear doors as described in the “Door Removal” section of this manual.
2. Remove shelving from unit through rear door opening as described in the “Shelving Installation and Removal” section of this manual. Remove all interior shelving as described in the shelving installation and removal section of this manual.
3. Remove both shelf standards from interior of case by removing the (2) thumbscrew from top and bottom.
4. Steps 5 & 6 on refrigerated only.
5. On Refrigerated models lift the display pan up and out of evaporator tub. Remove display pan through rear opening. Remove the evaporator fan shroud by removing the thumbscrews along the backside of evaporator fan shroud and on each end of evaporator coil. Lift the rear of the evaporator fan shroud and reach in and unplug the evaporator fan motor cord. Remove evaporator fan shroud through rear opening.
6. Clean the entire interior of the case using warm soapy water. Wipe off all soapy water with a damp cloth and allow to dry. (DO NOT use solvents such as Acetone, Benzene, Carbon Tetrachloride, and Lacquer Thinners)

NOTE: Depending on the amount of usage and spillage of foreign material, some fasteners may have to be removed and parts disassembled to allow proper cleaning of the unit.

7. Clean all shelves, shelf support bars, shelf light housings, shelf brackets, and display pans using warm soapy water and a brush. Rinse thoroughly and allow to dry.
8. Clean all foreign material from inner and outer rear door tracks using warm soapy water and a brush. Apply a light film of lubricant such as PAM to make the doors operate smoother.
9. Clean both sides of the doors and interior and exterior of the front glass using any common window cleaner.
10. Reassemble the case in reverse order.

Self Serve Front Lift Up Doors Cleaning Procedure

IMPORTANT: Cleaning the Acrylic front lift up doors require special care to prevent hazing and yellowing of material. Lightly dust (not wipe) surface with clean soft cloth. Then the surface can be wiped carefully with a soft, wet cloth or chamois. The cloth or chamois must be kept free of grit by frequently rinsing in clean water. Grease and oil can be removed with kerosene. Do not use window cleaners or kitchen scouring compounds. **DO NOT** use solvents such as Acetone, Benzene, Carbon Tetrachloride, and Lacquer Thinners. A spray wax such as Pledge or Maguire's polish can be applied and wiped with a clean soft cloth. The wax tends to fill in and hide small scratches.

SERVICE INFORMATION

CAUTION
RISK OF ELECTRIC SHOCK

DISCONNECT POWER
BEFORE SERVICING UNIT

Before any service work is performed on the case, make sure all power is disconnected to the case.

Service problems or request for repair parts from authorized service agencies, trained service personnel, or owners should be referred to:

CUSTOMER SERVICE DEPARTMENT
Federal Industries
215 Federal Avenue
Belleville, WI 53508
Toll Free: (800) 356-4206 / WI Phone (608) 424-3331
Fax: (608) 424-3234

Pre-Service Checklist

You may avoid the cost and inconvenience of an unnecessary service call by first reviewing this checklist of frequently encountered situations that can cause unsatisfactory case performance.



CAUTION: Before servicing case turn off power at the main breaker of fuse box.

Case Does Not Operate

- Check for disconnected power supply.
- Check for tripped breaker or blown fuse.
- Check that the thermostat is not "off".

Lights Do Not Operate

- Check that light switch is on.
- Be sure light is properly seated in the sockets.
- Check that light cord(s) are tight in the sockets.
- Plug unused light sockets with socket cap provided with socket.

Case Temperature Too Warm

- Check that the cold air inlet and outlet slots are not blocked.
- Be sure that the rear doors are closed and tightly sealed.
- Check for a blocked or dirty condenser coil fins.
- Check cold airflow. Lack of adequate cold airflow could be a defective evaporator fan or

- blocked evaporator coil. Check that paper or foreign material is not blocking evaporator. If the evaporator coil is blocked due to excessive frost, turn the thermostat knob to the “off” position for approximately one hour to defrost. Excessive frost will buildup if the case is operated with the door open or ajar.
- Check that the display pans are installed properly.
 - Is the case installed properly to allow adequate air flow to and from condenser.

Glass Fogging

- Check room ambient – Case is designed to operate in an environment not to exceed 75°F and 55% relative humidity.
- Check case temperature – Case is designed to operate between 38°F and 42°F.
- Check that nothing is placed on the top of the case glass.

Special Service Situations

There are rare occasions when the refrigerant charge must be evacuated from a case in order to perform service work. In those situations, Federal Industries recommends that the refrigerant charge be evacuated into a recovery system to prevent the possibility of hydrofluoro olefin (HFO's) from being released into the atmosphere.

If moisture or liquid is observed around or under a Federal Industries case, an immediate investigation should be made by qualified personnel to determine the source of the moisture or liquid. The investigation made should determine if the case is malfunctioning or if there is a simple housekeeping problem.

Moisture or liquid around or under a case is a potential slip/fall hazard for persons walking by or working in the general area of the case. Any case malfunction or housekeeping problem that creates a slip/fall hazard around or under a case should be corrected immediately

SALE & DISPOSAL

Owner Responsibility

If you sell or give away your Federal Industries case you must make sure that all safety labels and the Installation-Service Manual are included with it. If you need replacement labels or manuals, Federal Industries will provide them free of charge. Contact the customer service department at Federal Industries at (800) 356-4206.

The customer service department at Federal Industries should be contacted at the time of sale or disposal of your case so records may be kept of its new location.

If you sell or give away your Federal Industries case and you evacuate the refrigerant charge before shipment. Federal Industries recommends that the charge be evacuated into a recovery system to prevent the possibility of HFO's from being released into the atmosphere.

REFRIGERATION & ELECTRICAL DATA

MANUFACTURED BEFORE 12/1/19

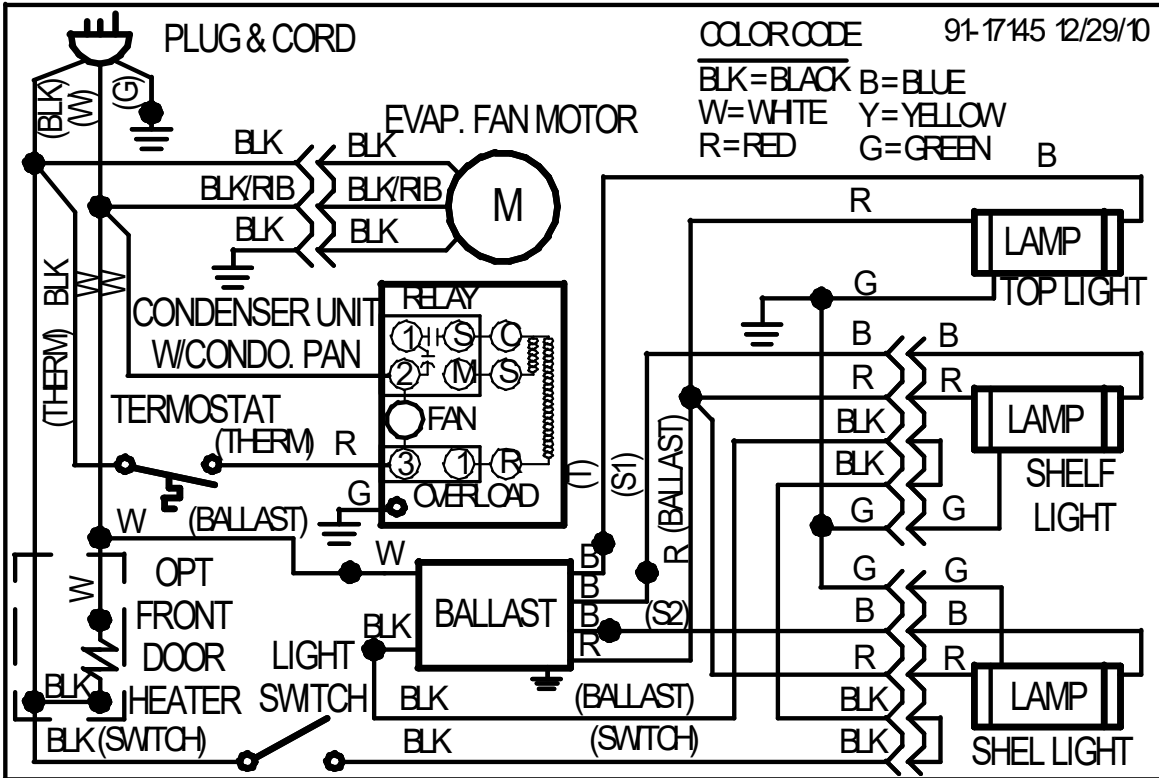
REFRIGERATION AND ELECTRICAL DATA		
	REFRIGERANT 134A (OZ)	TOTAL AMPS
REFRIGERATED SELF CONTAINED		
ERR3628 / ERRT3628SS	18	8.1
ERR4828 / ERRT4828SS	20	8.3

MANUFACTURED AFTER 12/1/19

REFRIGERATION AND ELECTRICAL DATA		
	REFRIGERANT 513A (OZ)	TOTAL AMPS
REFRIGERATED SELF CONTAINED		
ERR3628 / ERRT3628SS	17	8.1
ERR4828 / ERRT4828SS	19	8.3

MAIN WIRING DIAGRAMS

REFRIGERATED SELF CONTAINED (120VOLT)



PARTS

SERVICE MODELS

REFRIGERATION		
	ERR36	ERR48
Condensing Unit	30-16018	
Condensing Compressor Only	30-18057	
Evaporator Coil	33-16020-1	33-16020-2
Expansion Valve	32-12625	
Filter Drier	32-12626	
Thermometer	32-13662	
Thermostat	32-15495	
Evaporator Fan Motor	41-16025	
Evaporator Fan Blade	72-12254	

ELECTRICAL

Light Switch	41-11066	
Light Ballast	39-12903	
Light Bulb	42-11519	42-11069
Top Light Bulb Cap	42-15441	
Top Light Bulb Receptacle	42-15440	
Shelf Light Bulb Receptacle	42-10834	
Shelf Light Bulb Recept. Spring	42-10833	
Top Light Lens	M14669-1	M14669-2
Shelf Lens Shelf	M-10610-1	M-10610-2
Top Shelf light Cord	43-16861-1	
Bottom Shelf light Cord	43-16861-2	
Lighting Harness	43-17099	
Wiring Diagram	91-17145	
Power Cord	43-11302	

GLASS & SHELVING

Rear Door Inner Clear	53-17390-1	53-17390-3
Rear Door Outer Clear	53-17391-1	53-17391-3
Rear Door Top Track	57-17388-1	57-17388-2
Rear Door Bottom Track	57-17389-1	57-17389-2
End Panel - Left	68-18969-L	68-18969-L
End Panel - Right	68-18969-R	68-18969-R
Wire Shelf Black	63-16053-1	63-16053-2
Wire Shelf Plastic Clip	81-30618	
Shelf Bracket Top	67-16038-1A	
Shelf Bracket Bottom	67-16038-2A	
Top Glass	51-18946-1	51-18946-2
Front Glass	51-18946-3	51-18946-4
Front Glass Seal	64-17167	

SELF SERVE MODELS

REFRIGERATION	ERR36	ERR48
Condensing Unit	30-16018	
Condensing Compressor Only	30-18057	
Evaporator Coil	33-16020-1	33-16020-2
Expansion Valve	32-12625	
Filter Drier	32-12626	
Thermometer	32-13662	
Thermostat	32-15495	
Evaporator Fan Motor	41-16025	
Evaporator Fan Blade	72-17355	

ELECTRICAL

Light Switch	41-11066	
Light Ballast	39-12903	
Light Bulb	42-11519	42-11069
Top Light Bulb Cap	42-15441	
Top Light Bulb Receptacle	42-15440	
Shelf Light Bulb Receptacle	42-10834	
Shelf Light Bulb Recept. Spring	M14669-1	M14669-2
Top Light Lens	M-10610-1	M-10610-2
Shelf Lens Shelf	M-10610-1	M-10610-2
Top Shelf light Cord	43-16861-1	
Bottom Shelf light Cord	43-16861-2	
Lighting Harness	43-17099	
Wiring Diagram	91-17145	
Power Cord	43-11302	

GLASS & SHELVING

Rear Door Inner Clear	53-17390-1	53-17390-3
Rear Door Outer Clear	53-17391-1	53-17391-3
Rear Door Top Track	57-17388-1	57-17388-2
Rear Door Bottom Track	57-17389-1	57-17389-2
Top Glass	51-18946-1	51-18946-2
End Panel - Left	68-18969-L	68-18969-L
End Panel - Right	68-18969-R	68-18969-R
Wire Shelf, Black	63-16053-1	63-16053-2
Wire Shelf Plastic Clip	81-30618	
Shelf Bracket Top	67-16038-1A	
Shelf Bracket Bottom	67-16038-2A	
Front Lift Door	15-19250-1	15-19250-2
Front Lift Door Seal	W11538-3	W11538-4
Pin,door hinge	66-14878	66-14878