

# (1) REPLACEMENT PARTS

STANDARD ENDS AND GLASS			LEG AND CASTER ASSEMBLIES				
Model	STANDARD END	STANDARD END GLASS	MODEL	LEG LEVELER (STANDARD)	6IN LEG	4IN CASTER	2.5in CASTER (RECESSED)
HSSM260	68-19367	50-19382	HSSM260	SA4368-1	SA4368-2	SA4368-3	SA4368-4
HSSM360	68-19367	50-19382	HSSM360	SA4368-2	SA4368-2	SA4368-3	SA4368-4
HSSM460	68-19367	50-19382	HSSM460	SA4368-3	SA4368-2	SA4368-3	SA4368-4

Heated Shelves and Deck							
Model	Shelf Part#	Deck Part#	LEFT SHELF BRACKET	RIGHT SHELF BRACKET	FOOD RACK, DECK	FOOD RACK, SHELF	CATION HOT STICKER
HSSM260	780-913	780-914	M20962-L	M20962-R	M21142-1	M21142-4	91-10207
HSSM360	782-913	782-914	M20962-L	M20962-R	M21142-2	M21142-5	91-10207
HSSM460	784-913	784-914	M20962-L	M20962-R	M21142-3	M21142-6	91-10207

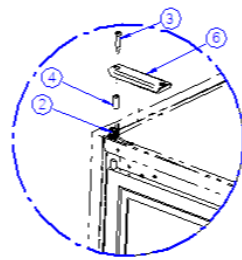
ELECTRICAL										
Model	TEMPERATURE CONTROLS	POWER SWITCH	LIGHT SWITCH	LED POWER SUPPLY	POWER CORD	WIRE HARNESS, CONTROL	WIRE HARNESS, HEATER	HARNESS, LIGHTS	RECEPTACLE, HEATER	RECEPTACLE, LIGHT
HSSM260	32-21155	41-18186	41-11066	39-20986	43-17839	43-21093	43-21098	43-21009	43-21100	43-20996-B
HSSM360	32-21155	41-18186	41-11066	39-20986	43-17839	43-21093	43-21098	43-21009	43-21100	43-20996-B
HSSM460	32-21155	41-18186	41-11066	39-20986	43-19090	43-21093	43-21098	43-21009	43-21100	43-20996-B

CONTROL PANEL						
Model	INSTRUCTION DECAL	CONTROL DOOR	DOOR MAGNET	HINGE RIVET	DOOR BUMPER	DOOR TRIM
HSSM260	91-21160	M21091-1	56-17636	77-12280	78-10270	M21161-1
HSSM360	91-21160	M21091-2	56-17636	77-12280	78-10270	M21161-2
HSSM460	91-21160	M21091-3	56-17636	77-12280	78-10270	M21161-3

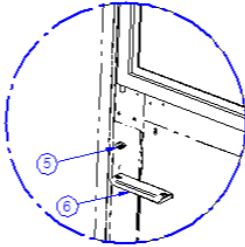
LED LIGHTS				
Model	TOP LIGHT	SHELF LIGHT	LED LIGHT CORDS	CORD CLIP
HSSM260	42-20871-20C35	42-20871-18C35	43-20862-B	67-20869-30
HSSM360	42-20871-30C35	42-20871-30C35	43-20862-B	67-20869-30
HSSM460	42-20871-42C35	42-20871-42C35	43-20862-B	67-20869-30

## (2) OPTIONS AND ACCESSORIES

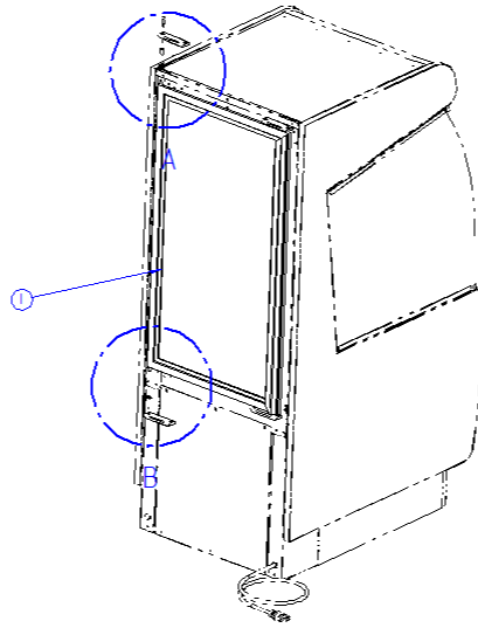
ITEM	PART#	DESCRIPTION	QTY
1	53-21159	DOOR,REAR,SWING	1
2	66-12966	SPRINGRIGHT HAND SW	1
3	75-13015	SCREW,10-24X3/4 SOCKET HD SS	1
4	78-13018	BUSHING,1/4D X 3/8OD X 3/4LG	1
5	78-19150	BUSHING,CHLDR 3/2ID X 3/6OD X 1.13	1
6	M21162	BRACKET,DOOR,SWING	2



DETAIL A



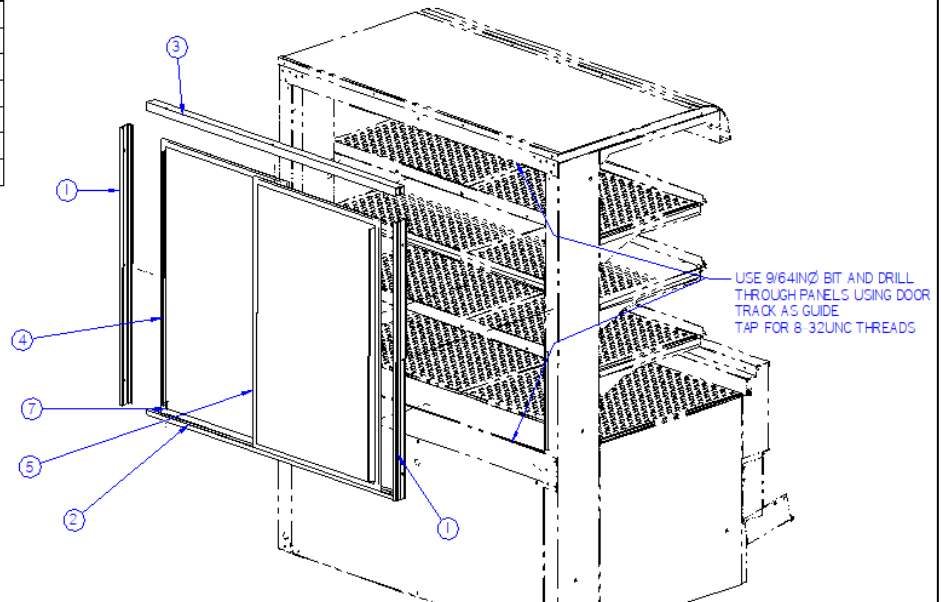
DETAIL B



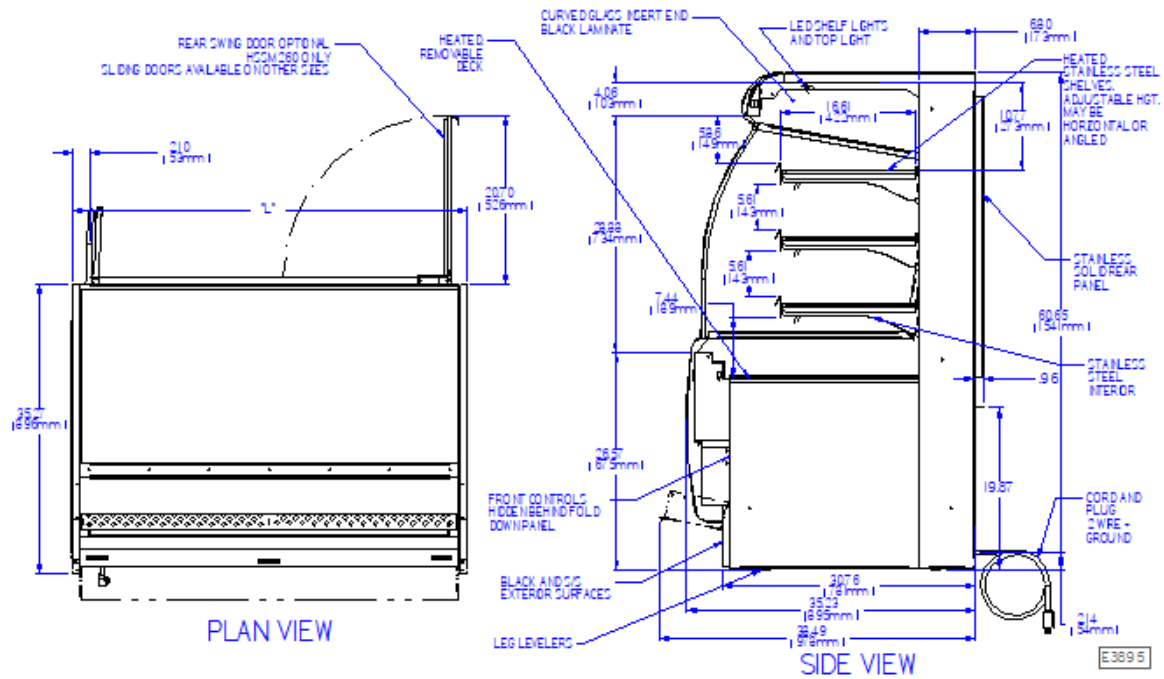
HSSM260 Rear Swing Door

HSSM360			
ITEM	PART#	DESCRIPTION	QTY
1	05-21152	FRAME,DOOR,JAMB	2
2	05-21153	FRAME,DOOR,LOWER	1
3	05-21154	FRAME,DOOR,UPPER	1
4	53-21166	DOOR,SLIDING,OUTER	1
5	53-21167	DOOR,SLIDING,INNER	1
6	56-80271	EXTRUSION,JAMB CAPS	2
7	75-15760	SCREW,8-32X1,PH,FL,HD,FZP	1

HSSM460			
ITEM	PART#	DESCRIPTION	QTY
1	05-21152	FRAME,DOOR,JAMB	2
2	05-21153	FRAME,DOOR,LOWER	1
3	05-21154	FRAME,DOOR,UPPER	1
4	53-21166	DOOR,SLIDING,OUTER	1
5	53-21167	DOOR,SLIDING,INNER	1
6	56-80271	EXTRUSION,JAMB CAPS	2
7	75-15760	SCREW,8-32X1,PH,FL,HD,FZP	1



HSSM360 & 460 Rear Sliding Doors



MODEL	DIMENSIONS L X D X H	SHIPPING WEIGHT
HSSM260	24.1 X 35.2 X 60.6	350
HSSM360	36.1 X 35.2 X 60.6	400
HSSM460	48.1 X 35.2 X 60.6	550