

# Quick Start Guide

Important safety information is presented throughout this document using the following signal words:

DANGER:	Severe injury or death will occur if you ignore the message.
WARNING:	Severe injury or death can occur if you ignore the message.
CAUTION:	Minor injury or damage to your case can occur if you ignore the message.
NOTICE:	This is important installation, operation, or service information. If you ignore the message, you may damage your case.



This is the safety-alert symbol. When you see this symbol on your case or in the manual, be alert to the potential for personal injury or damage to your equipment.

### ▲NOTICE▲

Read this manual before installing your case. Keep this manual and refer to it before doing any service on the equipment. Failure to do so could result in personal injury or damage to the case.

### ▲NOTICE▲

Installation and service of the electrical components in the case must be performed by a licensed electrician. The portions of this manual covering components contain technical instructions intended only for persons qualified to perform electrical work.

### ▲DANGER▲

Improper or faulty hookup of electrical components in the case can result in severe injury or death. All electrical wiring hookups must be done in accordance with all applicable local, regional, or national standards.

### ▲NOTICE TO EMPLOYERS▲

You must make sure that everyone who installs, uses, or services your case is thoroughly familiar with all safety information and procedures.

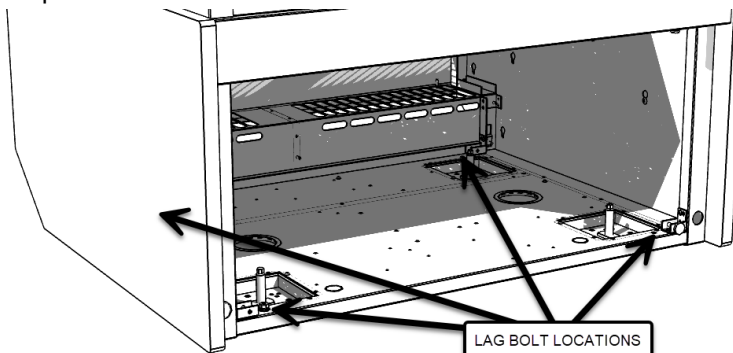
#### Locating The Display Case

Avoid locating this unit next to sources of air flow and heat: Heating ducts, grills/fryers, radiators, exterior doors/entrances/exits, and other sources of moving air and/or extreme hot/cold temperatures.

Avoid locating this unit in humid locations: Mistifiers/foggers and humidification devices or their discharge areas.

#### Removing Case From Shipping Skid

First remove the base front and rear panels. Two or more people should be involved in moving the unit from the pallet onto the ground. Remove the (4) 1/4" screws that secure the case to the skid. These screws are in the front and rear corners of the base rails. Base front and rear panels must be removed to access these bolts.



Once all the bolts are removed, slide the unit off the back of the shipping pallet, and tilt it so the rear corner touches the ground. Then have someone move pallet out from under the case and gently tilt the case forward until it touches the floor. Shelves, doors, and front glass may be removed from the unit to reduce overall weight.

#### Lifting and Moving the Case

### ▲CAUTION▲

Do not push or pull against the top glass, end glass, or door frames and do not pull on the end panels when removing the case from the skid or moving the case. Case damage or glass breakage will result.

#### Leveling the Case

It is important that the case is level. A wrench is included to aid in adjusting leg levelers. Check the left-to-right level of the case along front of plastic air deflector retainer. Adjust the leg levelers as needed to level the case in each direction.

Cleaning: Unit must be cleaned before initial use. See full manual for instructions.

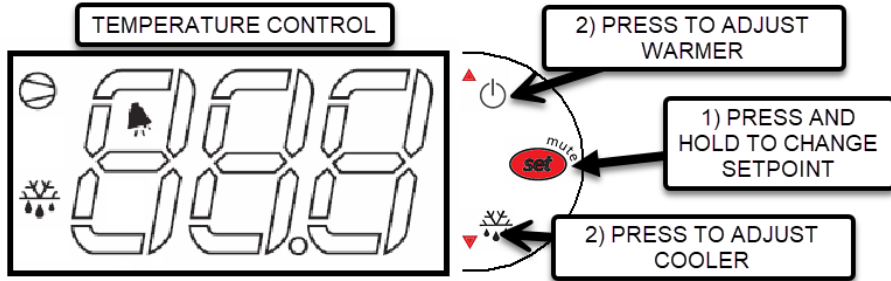
For Service or Technical assistance please call (833) 238-8168 or email [techservice@partstown.com](mailto:techservice@partstown.com)

For Service or Technical assistance please call (833) 238-8168 or email [techservice@partstown.com](mailto:techservice@partstown.com)

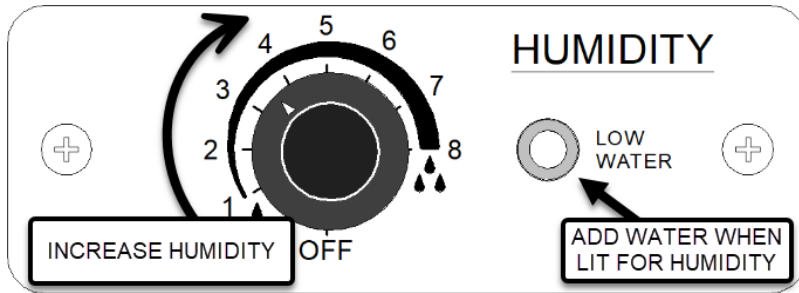


# Quick Start Guide

## ELECTRONIC TEMPERATURE CONTROL



CONTROL SETTING	INTERNAL CABINET TEMPERATURE
1	130°F
2	135°F
3	140°F
4	145°F
5	150°F
6	155°F
7	160°F
8	165°F
9	170°F



### ▲NOTICE▲

This heated display case is designed to operate in an environment of 70°F. Temperatures less than this may cause performance issues.

## PLACING PRODUCT INTO CASE

### ▲NOTICE▲

**Load items at the intended holding temperature or greater.** At time of loading, items stocked in unit **MUST** be pre-heated to at least this temperature.

### ▲CAUTION: HOT!▲

Internal temperatures are very hot. Take caution when working around the interior of the case.

Do not exceed 100 pounds of weight per shelf. Heavy product should be distributed evenly across the entire shelving area.

## CORD CONNECTED (STANDARD)

### ▲NOTICE▲

Risk of Electric Shock. If the cord or plug becomes damaged, replace only with a cord and plug of the same type.

- A factory installed power cord is properly sized to the amperage requirements of the case. See the electrical data plate located on the rear exterior of the case for the proper circuit size for each case.
- The cord is factory installed protruding from the rear corner of the case.
- A separate circuit for each display case is required to prevent other appliances on the same circuit from overloading the circuit and causing malfunction.

See full installation and operation manual on Federal's website by scanning the QR code:



<https://federalind.com/docs/ith-manual>